

A

B

C

D

SIMPLEX
 SIMPLEX, INC.
 5300 RISING MOON ROAD
 SPRINGFIELD, ILLINOIS 62711-6228

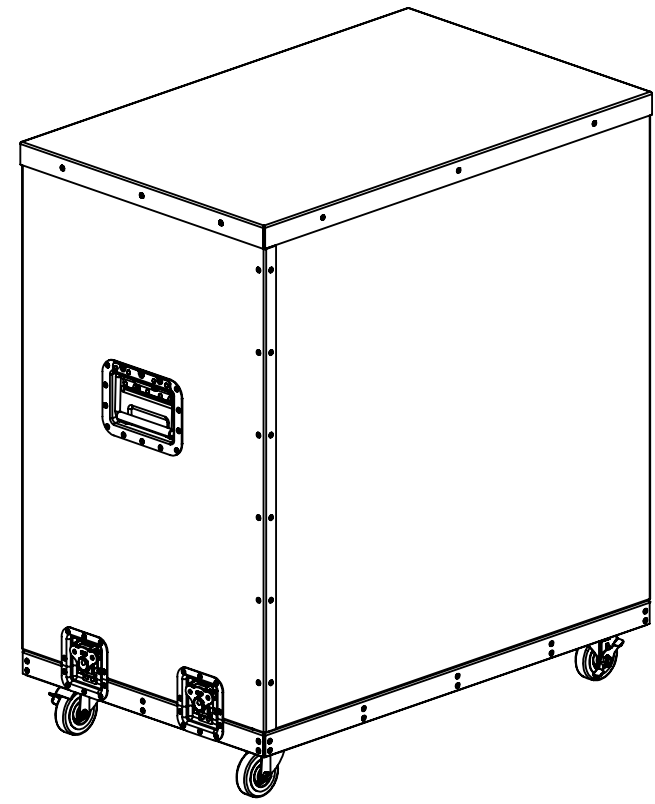
THE INFORMATION HEREON IS THE PROPERTY OF SIMPLEX, INC., AND/OR ITS SUBSIDIARIES. WITHOUT WRITTEN PERMISSION ANY COPYING, TRANSMITTAL TO OTHERS AND USE EXCEPT THAT FOR WHICH IT IS LOANED IS PROHIBITED.
 ©2016 SIMPLEX, INC.
 ALL RIGHTS RESERVED

THIRD ANGLE PROJECTION

NOTES:
 (UNLESS OTHERWISE SPECIFIED)

1. ENVIRONMENTAL TYPE - 1
2. FINISH - UL POWDER COAT DARK GRAY.
3. CONSTRUCTION WELDED & FORMED ALUMINUM.
4. AIR-FLOW - 1800 CFM (UN-RESTRICTED)
5. MAX INLET TEMP: 104° F
6. MAX ΔT: 150° F
7. MAX EXHAUST TEMP: 600° F

INFINITY-ENCLOSED
(FULLY-ENCLOSED)
ENG REF ONLY



**SEE SHEET 2 FOR
 INFINITY-ENCLOSED
 LOAD BANK INFORMATION**

REV	DATE	DESCRIPTION	INT	APPR

PART STATE:

DRAWING STATE:
 Draft - Not For Production Use

TOLERANCES
 X.XXX ± 0.025"
 X.XX ± 0.050"
 X.X ± 0.100"
 FRACTIONAL ± 1/16"
 ANGLES ± 2.5°
 SURFACES 125/

APPROVED BY:

DRAWN BY:

SCALE: 1:10

SHEET SIZE: B-SIZE

SHEET TITLE: Fully Enclosed

W.O. #: Infinity

WEIGHT: 200.0 lbs

PROJECT
 Infinity

PART DESCRIPTION
 Infinity - Enclosed Assembly
 Pictorial

PART NUMBER
ASM-00020367

DRAWING NUMBER
DWG-00024607

SHEET NUMBER 1 / 2

4

3

2

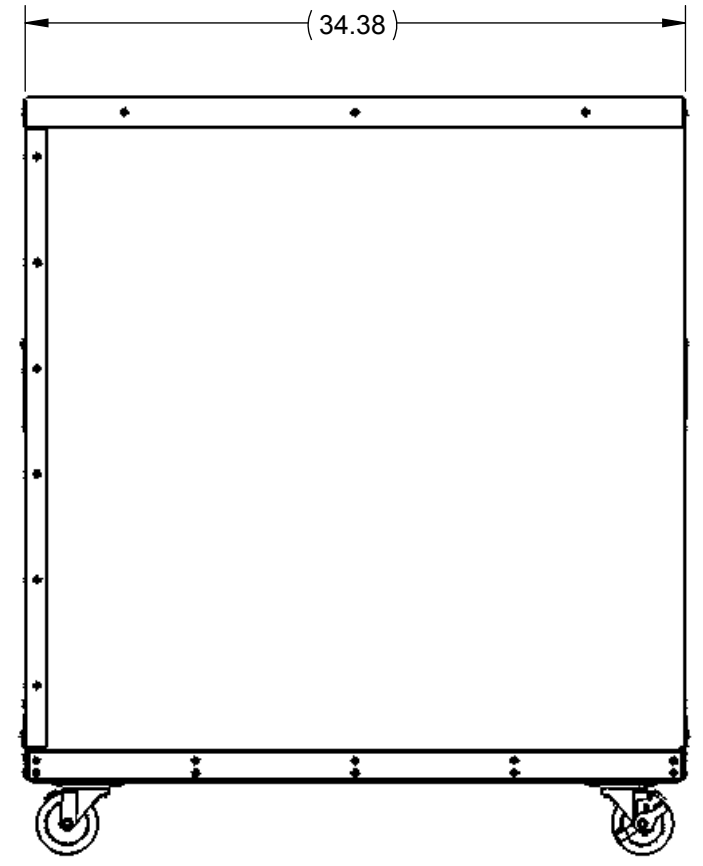
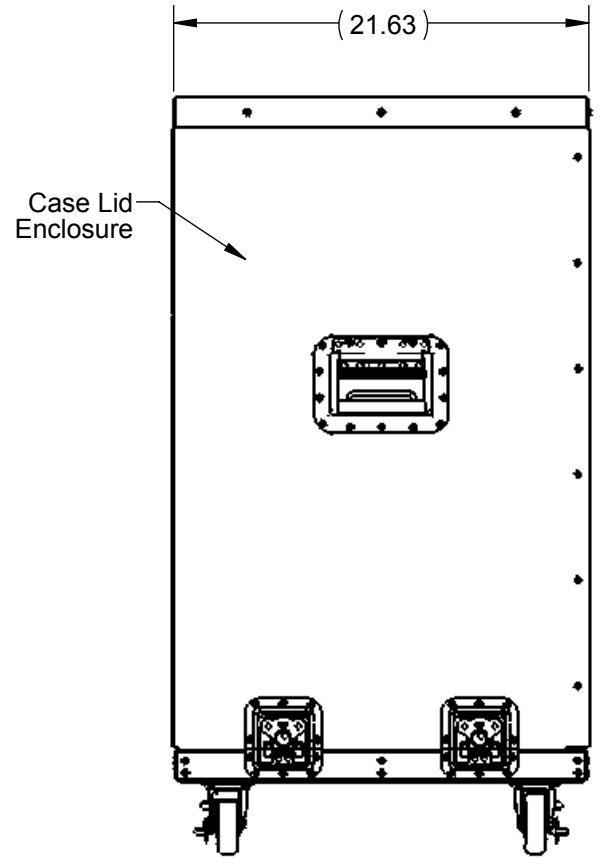
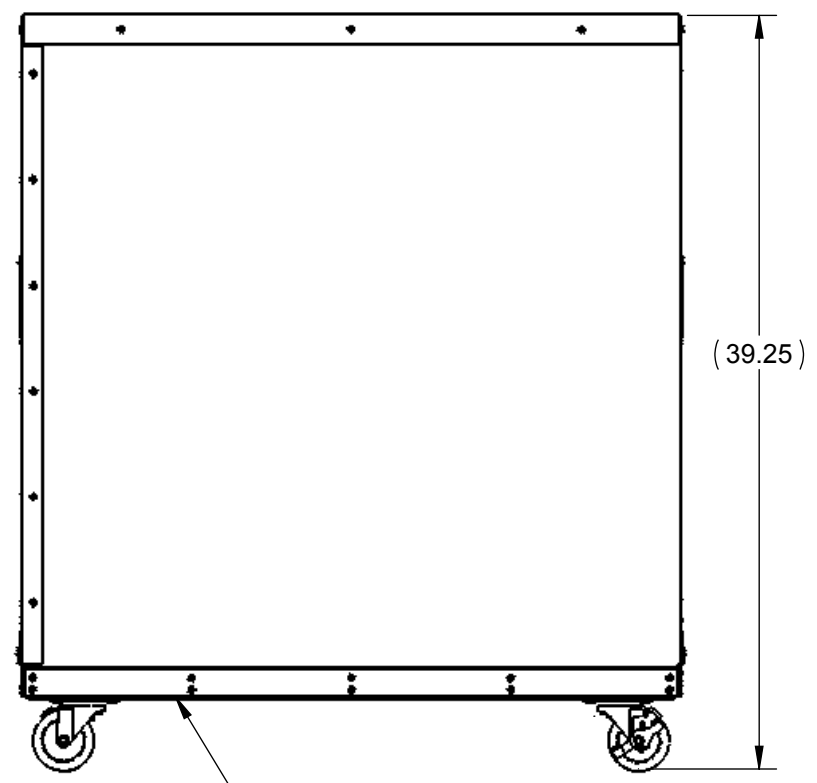
1

4

3

2

1



A

B

C

D