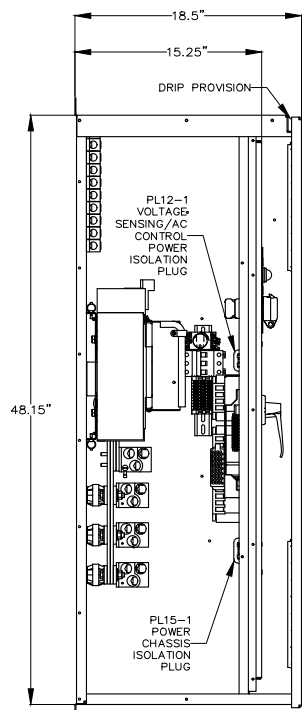
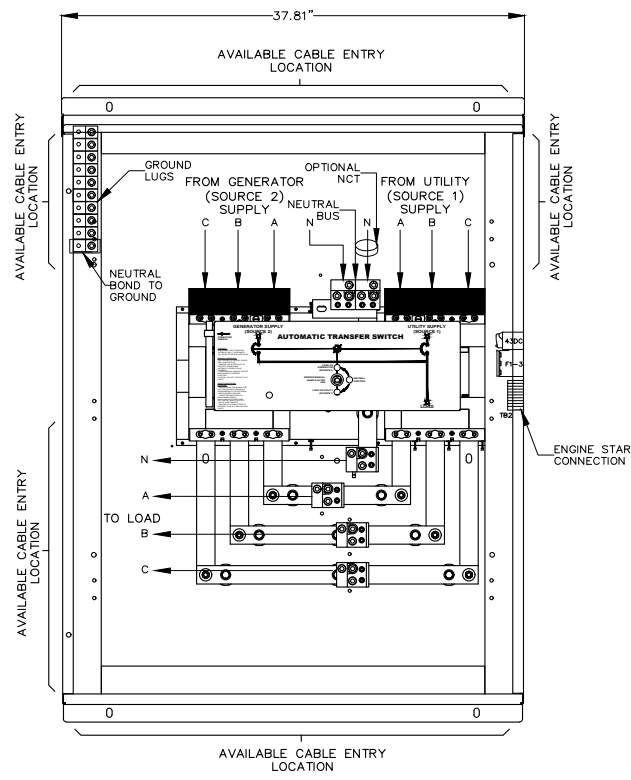


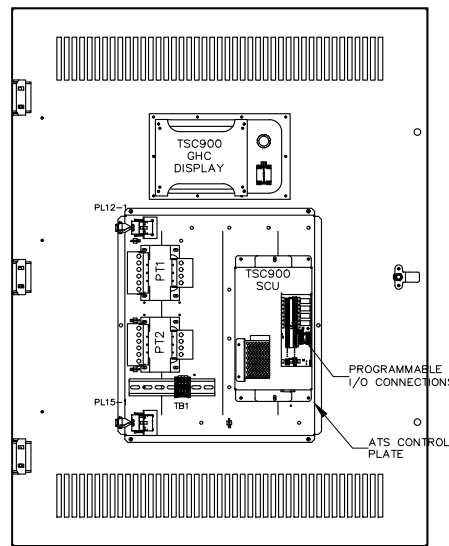
FRONT VIEW  
(OUTER DOOR REMOVED)



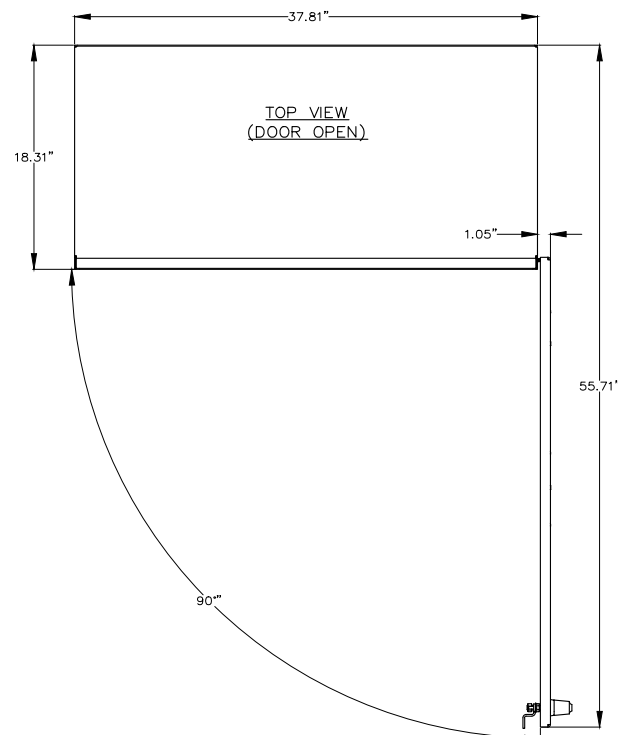
LHS VIEW  
(SIDE COVER REMOVED)



INTERIOR FRONT VIEW  
(DOORS NOT SHOWN)



VIEWED FROM REAR  
(INSIDE) OF INNER DOOR



TOP VIEW  
(DOOR OPEN)

| BASIC MODEL TS87xA | SERVICE ENTRANCE ATS - USD  |   |        |        |        |
|--------------------|---|---|--------|--------|--------|
|                    | CLOSING AND INTERRUPTING RATING AVAILABLE AMPS (RMS)  |   |        |        |        |
|                    | CLOSING & INTERRUPTING RATINGS SHOWN ARE ONLY FOR ATS UTILITY AND/OR GENERATOR POWER SWITCHING DEVICE(S) THAT ARE FACTORY SUPPLIED WITH INTEGRAL OVERCURRENT PROTECTION. PLEASE REFER TO PRODUCT INSTRUCTION MANUAL FOR FURTHER INFORMATION ON UPSTREAM PROTECTION REQUIREMENT. |   |        |        |        |
| MAX. VOLTAGE       | RATED CURRENT (A)   | NO UPSTREAM OVERCURRENT PROTECTION REQUIRED |        |        |        |
| TS 87xA-800        | 600   | 800   | 65,000 | 50,000 | 25,000 |

| BASIC MODEL TS87xA | STANDARD ATS - GSD   |      |        |        |        |
|--------------------|--|------|--------|--------|--------|
|                    | CLOSING AND WITHSTAND RATING AVAILABLE AMPS (RMS)  |      |        |        |        |
|                    | CLOSING & WITHSTAND RATINGS SHOWN ARE ONLY FOR ATS UTILITY AND/OR GENERATOR POWER SWITCHING DEVICE(S) THAT ARE NOT FACTORY SUPPLIED WITH INTEGRAL OVERCURRENT PROTECTION. PLEASE REFER TO PRODUCT INSTRUCTION MANUAL FOR FURTHER INFORMATION ON UPSTREAM PROTECTION REQUIREMENT. |      |        |        |        |
| MAX. VOLTAGE       | RATED CURRENT (A)  | 240V | 480V   | 600V   |        |
| TS 87xA-800        | 600  | 800  | 65,000 | 50,000 | 35,000 |

| CONNECTION DATA  |                                   |
|------------------|-----------------------------------|
| UTILITY (SRC1)   | 1-3C, 2/0-500MCM Cu/Al PER PHASE  |
| GENERATOR (SRC2) | 1-3C, 2/0-500MCM Cu/Al PER PHASE  |
| LOAD             | 1-3C, 2/0-500MCM Cu/Al PER PHASE  |
| NEUTRAL          | 1-3C, 2/0-500MCM Cu/Al PER SOURCE |
| GROUND           | 9C, #14-2/0 Cu/Al                 |

- GENERAL NOTES**
- POWER SWITCHING DEVICES ARE MECHANICALLY INTERLOCKED SO THAT ONLY ONE DEVICE IS CLOSED AT A TIME
  - ENCLOSURE FINISH : ASA #61 GREY
  - REFER PROJECT SPECIFIC OPTIONS LIST FOR SELECTED ENCLOSURE TYPE

2.5" x 5"

**⚠ DANGER PELIGRO**

**Arc Flash and Shock Hazard**  
Will cause severe injury or death. More than one live circuit - see diagram. Disconnect all sources of supply before servicing. This equipment must be installed and serviced only by qualified electrical personnel utilizing safe work practices and appropriate Personal Protective Equipment (PPE). Failure to comply may result in injury or death! Refer to NFPA 70E for minimum PPE requirements.

**Risque d'Arc Electrique et d'Electrocution**  
Peut causer des blessures graves ou la mort. Plus d'un circuit sous tension - voir schéma. Couper toutes les sources d'alimentation avant de faire l'entretien et les réparations. Ce matériel doit être installé et entretenu uniquement par un électricien qualifié. Ce dernier doit connaître les pratiques de travail sécuritaires et porter l'équipement de protection individuelle approprié. Le non respect peut entraîner des blessures ou la mort! Reportez-vous à NFPA 70E pour le manuel des exigences minimales PPE.

**Riesgo de Arco y Choque Eléctrico**  
Se causarán lesiones graves o la muerte. Más de un circuito energizado - ver diagrama. Desconectar todas las fuentes de suministro antes de hacer mantenimiento. Este equipo solo se debe instalar y mantener por personal calificado, usando medidas de seguridad y equipo de protección personal adecuados. No seguir estas recomendaciones puede causar lesiones o muerte! Consultar la NFPA 70E para las requisitos mínimos del equipo de protección personal (PPE).

QTY = 1

FOIL LABEL  
BLACK LETTERS ON SILVER BACKGROUND

**WARNING**

TO ENSURE SAFETY OF PERSONNEL DOOR MUST BE LOCKED CLOSED WHEN USING THE "SERVICE DISCONNECT" SWITCH TO ISOLATE LOAD CIRCUITS. FASTEN DOOR SECURELY WITH SCREWS BEFORE LOCKING.

QTY = 1

0.75" x 2" (TYPICAL)  
WHITE LETTERS ON BLACK BACKGROUND

**SERVICE DISCONNECT**

QTY = 1

**SERVICE DISCONNECT**

ENERGIZED NEUTRAL DISCONNECTED

QTY = 1

FOR REVIEW ONLY

APPROVED FOR CONSTRUCTION  
 MASTER COPY  REFERENCE COPY OF \_\_\_\_\_  
 MULTIPLE UNIT WORK ORDER  
 RELEASED FOR INFORMATION  
 AUTH. BY: \_\_\_\_\_ DATE: \_\_\_\_\_

CROSS REFERENCE LEGEND  
 SOC-C-1  
 GRID COORDINATE  
 SHEET No. \_\_\_\_\_

| DRAWING No. | REFERENCE DRAWINGS | No. | REVISIONS | BY | AUTH | DATE |
|-------------|--------------------|-----|-----------|----|------|------|
|             |                    |     |           |    |      |      |



AUTOMATIC TRANSFER SWITCH  
 MODEL TS 870  
 PHYSICAL LAYOUT & INSTALLATION DETAILS  
 800A, 2P/3P, NEMA 3R, DOUBLE DOOR, SE

DRAWINGS AND/OR OTHER TECHNICAL INFORMATION SUPPLIED BY THOMSON POWER SYSTEMS AS A PART OF A SALE OF EQUIPMENT ARE FOR THE PURCHASER'S USE SOLELY IN CONJUNCTION WITH THAT EQUIPMENT, UNLESS SPECIFICALLY AGREED TO OTHERWISE AS A PART OF THE TERMS OF SALE.

| CUSTOMER THOMSON POWER SYSTEMS |                |
|--------------------------------|----------------|
| CUSTOMER ORDER No.             | WORK ORDER No. |
| C-XXXXXX                       | W-XXXXXX       |
| DRAWN BY AP                    | AUTH BY OG     |
| DATE 16-01-26                  | REV 0          |
| DRAWING/FILE No. MCS870M250    | SHEET 10A      |