

\*\*\*\*ONLY ITEMS CHECKED ARE INCLUDED IN THE DAYTANK PACKAGE\*\*\*\*

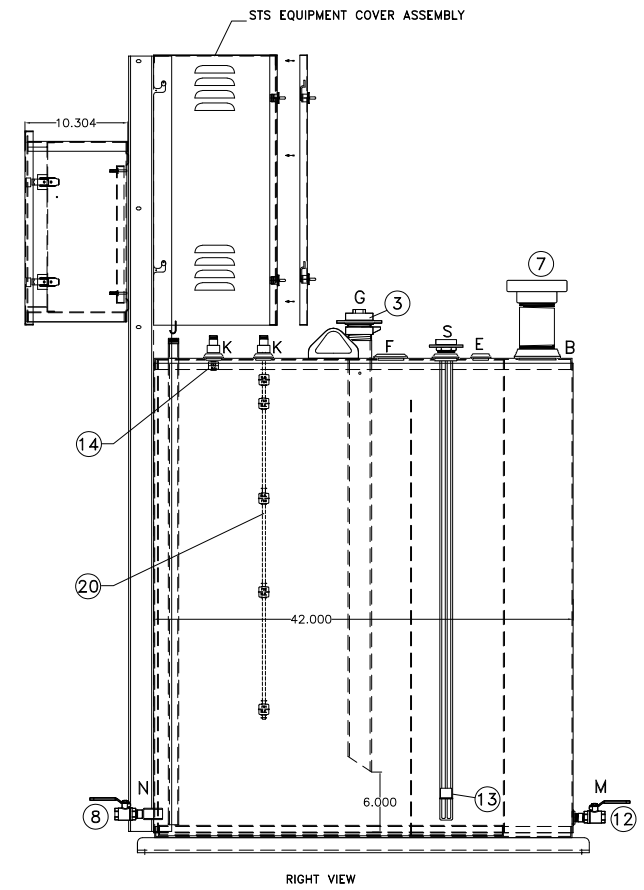
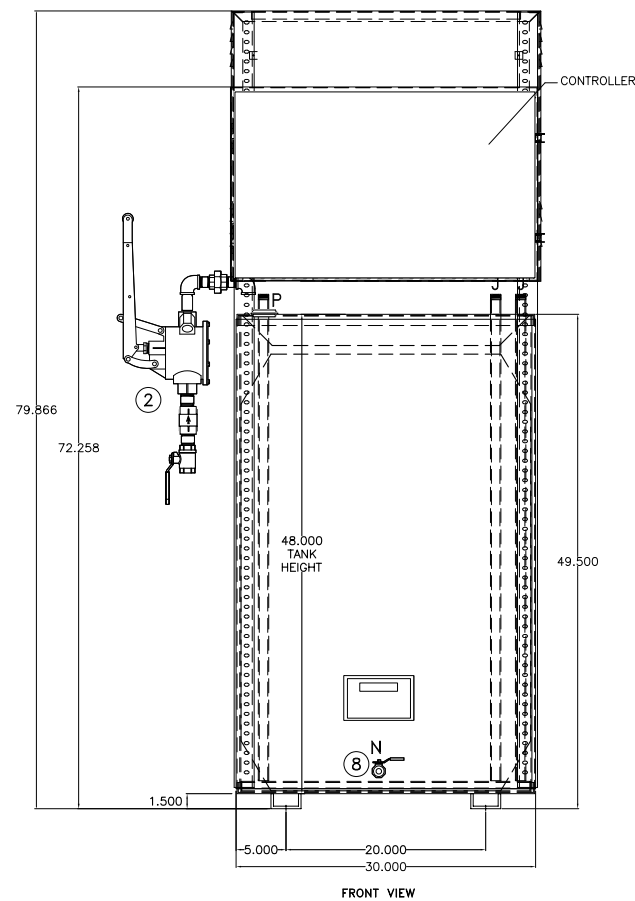
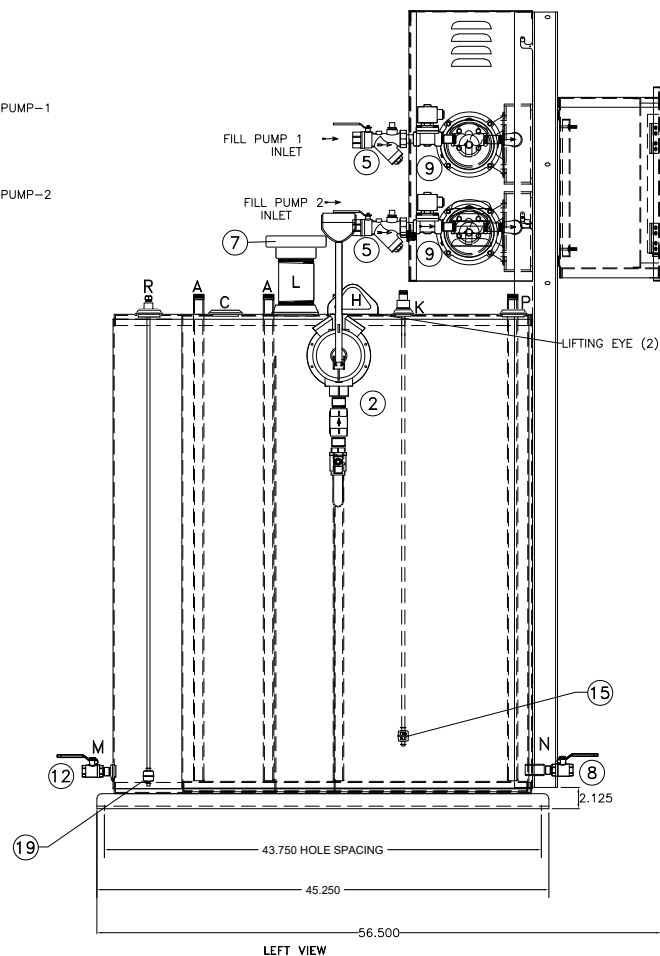
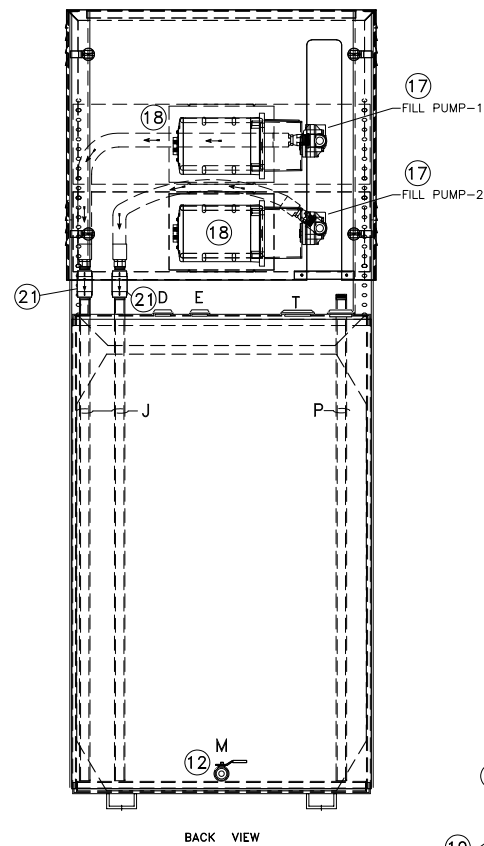
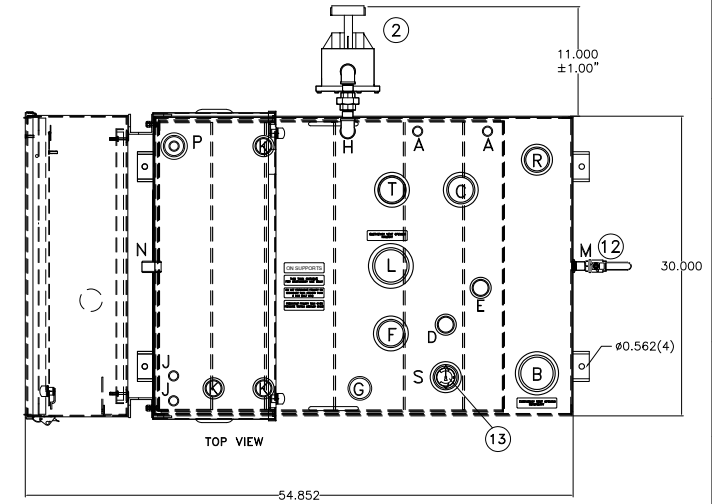
DUPLEX FILL			
ITEM	STANDARD DAYTANK OPTIONS	PART #	QTY
1	X002- DELETION OF STD PUMP & MOTOR	NA	1
2	015- MANUAL HAND PUMP, 1"NPT, 1GAL PER STROKE	24748300	1
	SPRING CHECK VALVE, 1"NPT, BRASS	22924000	1
	BALL VALVE, 1"NPT, BRONZE	22918010	1
3	025- LOCKING MANUAL FUEL FILL CAP, 2" NPT	22108600	1
4	060- FUEL STRAINER, "Y", BRONZE, 0.75"NPT	30049210	
5	060/087- BALL VALVE WITH FUEL STRAINER, 1"NPT	24010020	
	TAILPIECE, MALE, .75"NPT	24010106	
6	TAILPIECE, MALE, 1.00"NPT	24010102	
	063- VENT CAP, 2"NPT ***SHIP LOOSE***	22953000	1
7	064- EMERGENCY VENT, 3"FNPT, ALUM.	22400086	2
8	NIPPLE, 3"x6", STD BLK	22517003	2
	065- PRIMARY DRAIN HAND VALVE, .50"NPT	22918050	1
9	080-B SOLENOID VALVE, .75"NPT, 115VAC, N.C.	21704100A	
	080-C SOLENOID VALVE, 1"NPT, 115VAC, N.C.	21704400A	
10	087- MANUAL FUEL SHUT-OFF VALVE, 75"NPT, BRZ	22918100	
11	180- WEATHERPROOF MODIFICATION **SEE CONTROLLER**	13817100	
12	192- SECONDARY DRAIN HAND VALVE, .50"NPT	22918050	1
13	215- MECHANICAL DIAL LEVEL GAUGE, 46"	15040003	1
14	326- CRITICAL HIGH FUEL CUTOUT FLOAT	25242990	1
15	333- CRITICAL LOW FUEL CUTOUT FLOAT 100-400	25242981	1

ITEM	STANDARD DAYTANK OPTIONS	PART #	QTY
16	345- DUPLEX FILL PUMP AND MOTOR	NA	
17	399- 2GPM PUMP, .50" INPUT, .375" OUTPUT, ALUM.	24741020	
	404- 4GPM PUMP, .50" INPUT, .375" OUTPUT, ALUM.	24741050	
	407- 7GPM PUMP, .75" INPUT, .50" OUTPUT, ALUM.	24743100	
	410- 10GPM PUMP, .75" INPUT, .50" OUTPUT, ALUM.	24747250	
	502- 2GPM PUMP, .50" INPUT/OUTPUT, CAST IRON	24740002	
	505- 5GPM PUMP, .75" INPUT/OUTPUT, CAST IRON	24740005	
	507- 7GPM PUMP, 1.00" INPUT/OUTPUT, CAST IRON	24740007	
	600- .33HP, 115VAC, 1PH, 60HZ, ODP, .625" SHAFT	24626100A	
18	645- .33HP, 115VAC, 1PH, 60HZ, TEFC, .625" SHAFT	24626106	
	700- .50HP, 115VAC, 1PH, 60HZ, ODP, .625" SHAFT	24630000A	
	745- .50HP, 115VAC, 1PH, 60HZ, TEFC, .625" SHAFT	24631000A	
	845- .75HP, 115VAC, 1PH, 60HZ, TEFC, .625" SHAFT	24636500A	
19	191- SECONDARY CONTAINMENT LEAK FLOAT	60000083	1
20	STANDARD LEVEL FLOATSWITCH ASSEMBLY, 100-400	25242980	1
	STS 200 DAY TANK	70000200	1
	STANDARD SUBPANEL	70001000	1
	SRS CONTROL PCB	50001601	1
21	070- CHECK VALVE, .75"NPT, BRONZE	22923501	AR

PORT	DESCRIPTION	SIZE
A	ENGINE SUPPLY DROP TUBE - (QTY. 2) (1.000 CLEARANCE TO BOTTOM)	0.75" NPT, MALE
B	SECONDARY TANK E-VENT PORT	3.00" NPT, FEMALE
C	OVERFLOW PORT	2.00" NPT, FEMALE
D	ENGINE RETURN PORT	1.00" NPT, FEMALE
E	EXTRA PIPE FLANGE	1.00" NPT, FEMALE
F	TANK VENT PORT	2.00" NPT, FEMALE
G	MANUAL FILL PORT W/ BLEED HOLE (6.000 CLEARANCE TO BOTTOM)	2.00" NPT, MALE
H	HAND PUMP DROP TUBE (1.000 CLEARANCE TO BOTTOM)	0.75" NPT, MALE
J	PUMP CONNECTION TO TANK (QTY. 2) (1.000 CLEARANCE TO BOTTOM)	0.75" NPT, MALE
K	FLOATSWITCH MOUNTING PORT (QTY. 3)	1.00" NPT, FEMALE
L	PRIMARY TANK EMERGENCY VENT	3.00" NPT, FEMALE
M	SECONDARY TANK DRAIN PORT	0.50" NPT, FEMALE
N	PRIMARY TANK DRAIN PORT	0.50" NPT, FEMALE
P	RETURN PUMP CONNECTION TO TANK DROP TUBE DEPENDENT ON PUMP INLET SIZE (1.000 CLEARANCE TO BOTTOM)	1.5" NPT, FEMALE
R	LEAK SENSOR PORT	1.50" NPT, FEMALE
S	EXTRA PORT/MECHANICAL DIAL LEVEL GAUGE PORT	1.50" NPT, FEMALE
T	EXTRA PORT	2.00" NPT, FEMALE

NOTES:

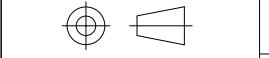
- 1) CONSTRUCTION: 12 GA. H.R.S.  
TANK TOP: 10 GA. H.R.S.
- 2) LISTING: UL 142
- 3) RATING: ATMOSPHERIC TANK  
TESTED TO 3 PSI
- 4) ALL DIMENSIONS ±.125"
- 5) TANK COLOR = SIMPLEX CAROLINA VERMILLION  
CONTROLLER COLOR = SIMPLEX COASTAL HAZE
- 6) SECONDARY CONTAINMENT CAPACITY 257 GALLONS.
- 7) ESTIMATED WEIGHT: 770LBS.



**SIMPLEX**  
SIMPLEX, INC.  
5300 RISING MOON ROAD  
SPRINGFIELD, ILLINOIS 62711-6228

THE INFORMATION HEREON IS THE PROPERTY OF SIMPLEX, INC. AND/OR ITS SUBSIDIARIES. WITHOUT WRITTEN PERMISSION ANY COPYING, TRANSMITTAL TO OTHERS AND USE EXCEPT THAT FOR WHICH IT IS LOANED IS PROHIBITED.  
© 2017 SIMPLEX, INC.  
ALL RIGHTS RESERVED

THIRD ANGLE PROJECTION



REV	DATE	DESCRIPTION
E	01/03/2020	Added lifting eyes, revised CV's.
D	03/27/2019	Revised tank fitting locations, added extra parts, note 6.
C	10/22/2018	REVISED LEAK FLOAT PART NUMBER.
B	09/23/2018	Revised port positions, corrected part numbers.
A	09/16/2017	Original Design

**TOLERANCES**  
X.XXX ± 0.005"  
X.XX ± 0.010"  
X.X ± 0.020"  
FRACTIONAL ± 1/32"  
ANGLES ± 1°  
SURFACES 125

APPROVED BY: LT  
DRAWN BY: LT  
SCALE: 1:18.9312  
SHEET SIZE: ANSI B  
JOB NUMBER: NA

DESCRIPTION  
STS200  
Technology Series Day Tank  
UL142

Approved 01/03/2020

DRAWING NUMBER  
**ACD-00035296**

SHEET NUMBER: 1/1  
REVISION: E