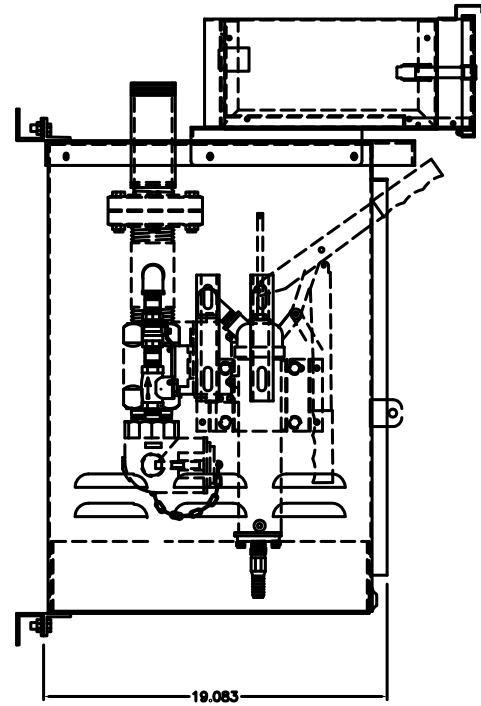


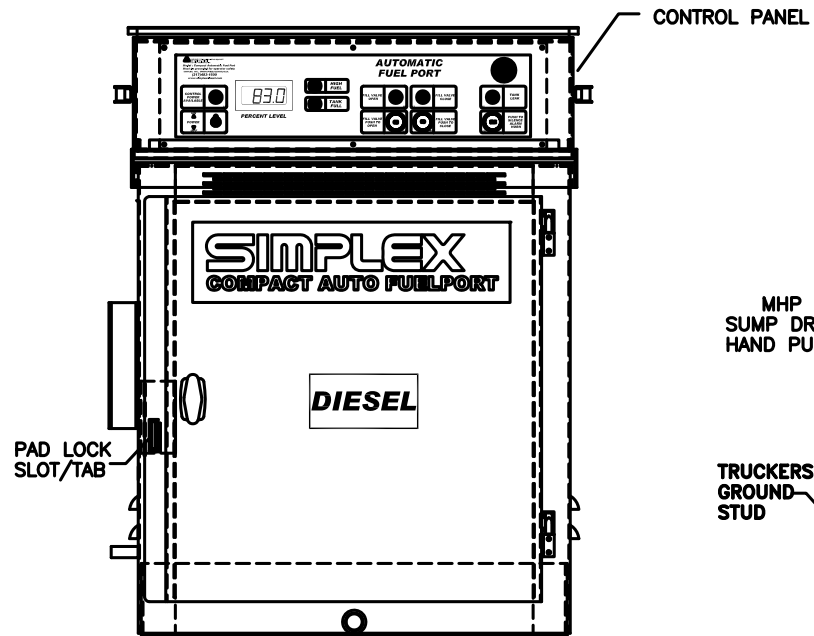
TOP VIEW

NOTES:

1. CONSTRUCTION: FORMED AND WELDED HOT ROLLED STEEL
2. ALL PARTS CLEANED
3. PAINT: POWDER COAT BONE WHITE
4. ALL DIMENSIONS ± .125"
5. FITTING SIZE: 2", 3" OR 4"

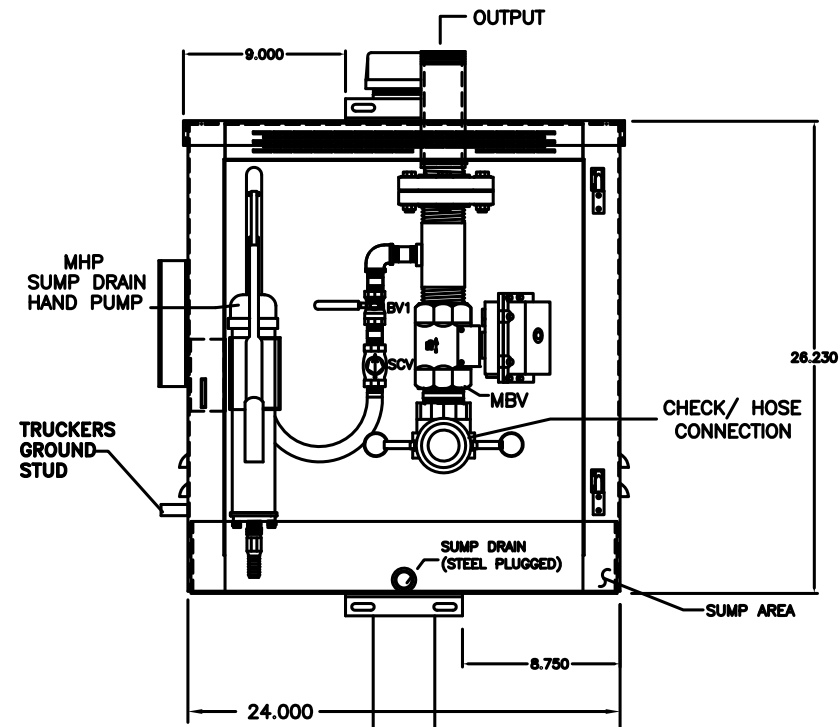


LEFT VIEW
WALL OR TANK MOUNTING OPTION

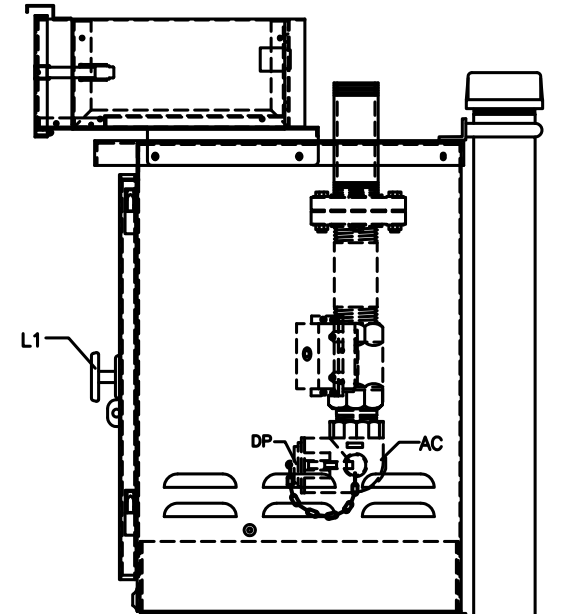


OPTIONAL FUEL PORT
POST ASSEMBLY
SIMPLEX PART NUMBER 50113000
OPTION FSOP-085

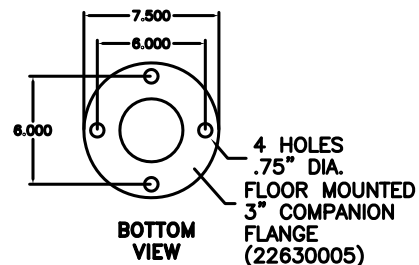
FRONT VIEW
WITH DOOR



FRONT VIEW LESS DOOR
& CONTROLLER



RIGHT VIEW



BOTTOM VIEW

THE INFORMATION HEREON IS THE PROPERTY OF SIMPLEX, INC., AND/OR ITS SUBSIDIARIES. WITHOUT WRITTEN PERMISSION ANY COPYING, TRANSMITTAL TO OTHERS AND USE EXCEPT THAT FOR WHICH IT IS LOANED IS PROHIBITED. DESIGN SUBJECT TO CHANGE WITHOUT NOTICE.
©2010 SIMPLEX, INC. ALL RIGHTS RESERVED.

SIMPLEX		SPRINGFIELD, ILLINOIS
SCALE :	APPROVED BY :	DRAWN BY : RER
DATE : 08-10-10		REVISED :
COMPACT AUTOMATIC FUELPORT PICTORIAL		
UL508A	STANDARD	DRAWING NUMBER 211986