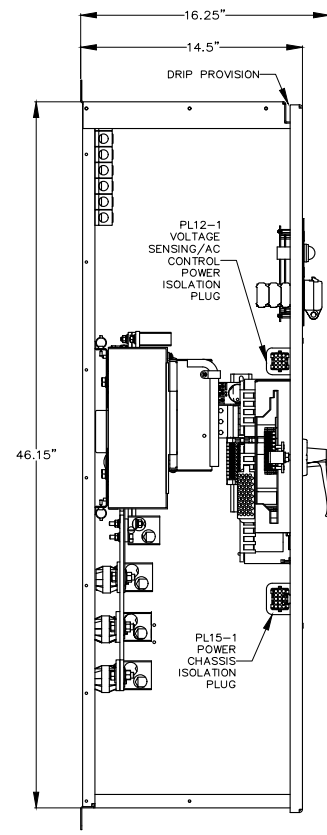
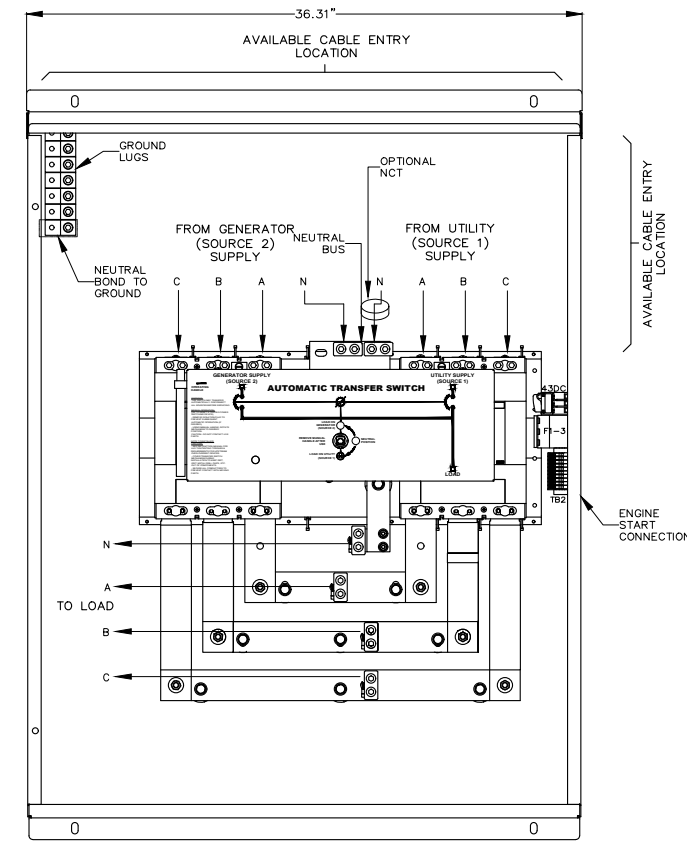


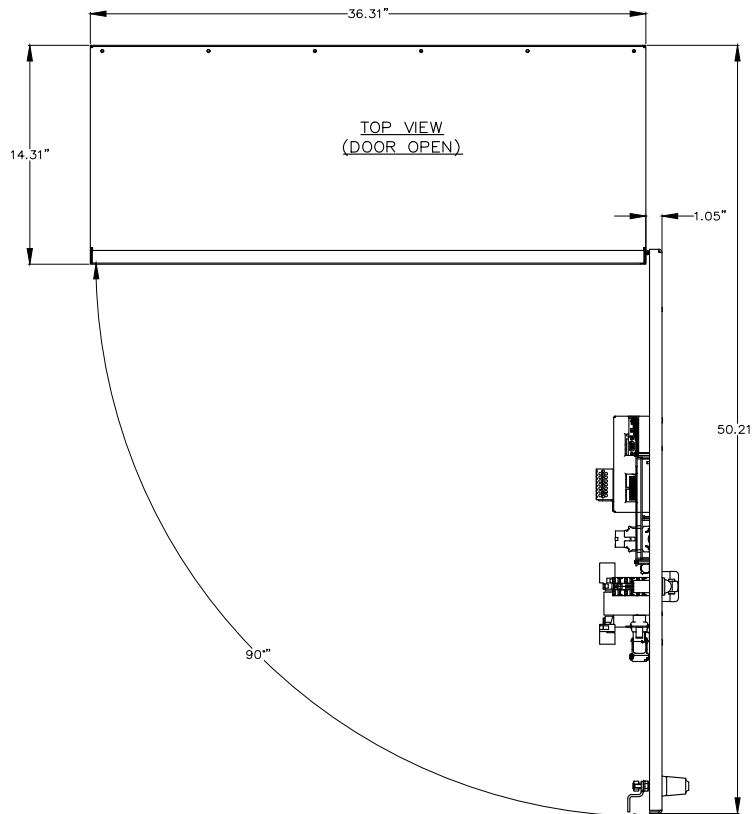
FRONT VIEW



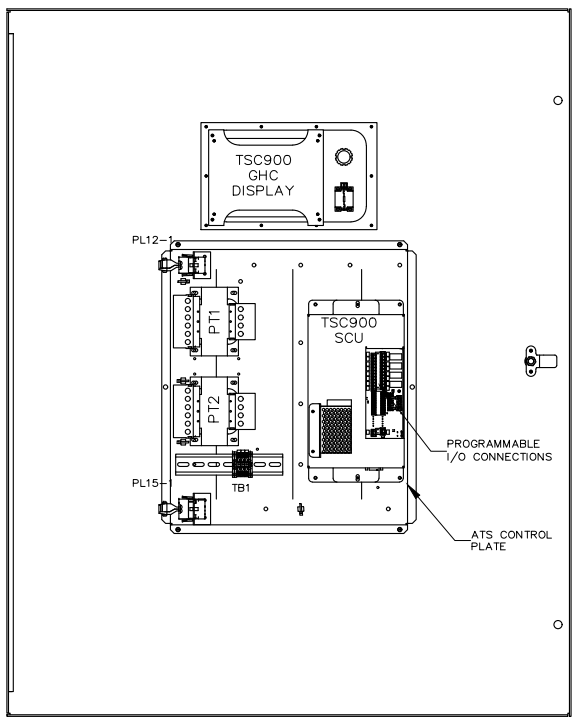
LHS VIEW (SIDE COVER REMOVED)



INTERIOR FRONT VIEW (DOOR NOT SHOWN)



TOP VIEW (DOOR OPEN)



VIEWED FROM REAR (INSIDE OF DOOR)

SERVICE ENTRANCE ATS - USD					
CLOSING AND INTERRUPTING RATING					
AVAILABLE AMPS (RMS)					
CLOSING & INTERRUPTING RATINGS SHOWN ARE ONLY FOR ATS UTILITY AND/OR GENERATOR POWER SWITCHING DEVICE(S) THAT ARE FACTORY SUPPLIED WITH INTEGRAL OVERCURRENT PROTECTION. PLEASE REFER TO PRODUCT INSTRUCTION MANUAL FOR FURTHER INFORMATION ON UPSTREAM PROTECTION REQUIREMENT.					
BASIC MODEL TS87xA	MAX. VOLTAGE	RATED CURRENT (A)	NO UPSTREAM OVERCURRENT PROTECTION REQUIRED		
			②40V	④80V	⑥00V
TS 87xA-600	600	600	65,000	50,000	25,000

STANDARD ATS - GSD					
CLOSING AND WITHSTAND RATING					
AVAILABLE AMPS (RMS)					
CLOSING & WITHSTAND RATINGS SHOWN ARE ONLY FOR ATS UTILITY AND/OR GENERATOR POWER SWITCHING DEVICE(S) THAT ARE NOT FACTORY SUPPLIED WITH INTEGRAL OVERCURRENT PROTECTION. PLEASE REFER TO PRODUCT INSTRUCTION MANUAL FOR FURTHER INFORMATION ON UPSTREAM PROTECTION REQUIREMENT.					
BASIC MODEL TS87xA	MAX. VOLTAGE	RATED CURRENT (A)	②40V	④80V	⑥00V
			TS 87xA-600	600	600

CONNECTION DATA		
600A ATS	UTILITY (SRC1)	1-2C, 2/0-500MCM Cu/Al PER PHASE
	GENERATOR (SRC2)	1-2C, 2/0-500MCM Cu/Al PER PHASE
	LOAD	1-2C, 2/0-500MCM Cu/Al PER PHASE
	NEUTRAL	1-2C, 2/0-500MCM Cu/Al PER SOURCE
	GROUND	6C, #6-250MCM Cu/Al

- GENERAL NOTES**
- POWER SWITCHING DEVICES ARE MECHANICALLY INTERLOCKED SO THAT ONLY ONE DEVICE IS CLOSED AT A TIME
  - ENCLOSURE FINISH : ASA #61 GREY
  - REFER PROJECT SPECIFIC OPTIONS LIST FOR SELECTED ENCLOSURE TYPE

**2.5" x 5"**

**⚠ DANGER PELIGRO**

**Arc Flash and Shock Hazard**  
Will cause severe injury or death. More than one circuit may be energized - see diagram. Disconnect all sources of supply before servicing. This equipment must be installed and serviced only by qualified electrical personnel utilizing safe work practices and appropriate Personal Protective Equipment (PPE). Failure to comply may result in injury or death. Refer to NFPA 70E for minimum PPE requirements.

**Risque d'Arc Electrique et d'Electrocution**  
Peut causer des blessures graves ou la mort. Plus d'un circuit sous tension - voir schéma. Couper toutes les sources d'alimentation avant de faire l'entretien et les réparations. Ce matériel doit être installé et entretenu uniquement par un électricien qualifié. Ce dernier doit connaître les protocoles de travail sécuritaires et porter l'équipement de protection individuelle approprié. Le non respect peut entraîner des blessures ou la mort. Reportez-vous à NFPA 70E pour le manuel des exigences minimales PPE.

**Riesgo de Arco y Choque Eléctrico**  
Se causarán lesiones graves o muerte. Más de un circuito energizado - ver diagrama. Desconectar todas las fuentes de suministro antes de hacer mantenimiento. Este equipo solo se debe instalar y mantener por personal calificado, usando medidas de seguridad y equipo de protección personal adecuada. No seguir estas recomendaciones puede causar lesiones o muerte! Consultar la NFPA 70E para los requisitos mínimos del equipo de protección personal (PPE).

QTY = 1

**FOIL LABEL**  
BLACK LETTERS ON SILVER BACKGROUND

**WARNING**  
TO ENSURE SAFETY OF PERSONNEL DOOR MUST BE LOCKED CLOSED WHEN USING THE "SERVICE DISCONNECT" SWITCH TO ISOLATE LOAD CIRCUITS. FASTEN DOOR SECURELY WITH SCREWS BEFORE LOCKING.

QTY = 1

**0.75" x 2"**  
(TYPICAL)  
WHITE LETTERS ON BLACK BACKGROUND

**SERVICE DISCONNECT**  
QTY = 1

**SERVICE DISCONNECT**  
TRANSFER ENERGIZED NEUTRAL DISCONNECT  
QTY = 1

APPROVED FOR CONSTRUCTION  
 MASTER COPY  REFERENCE COPY OF \_\_\_\_\_  
 MULTIPLE UNIT WORK ORDER  
 RELEASED FOR INFORMATION  
 AUTH. BY: \_\_\_\_\_ DATE: \_\_\_\_\_

CROSS REFERENCE LEGEND		DRAWING No.		REFERENCE DRAWINGS		No.		REVISIONS		BY/AUTH		DATE	
SOC-C-1	GRID COORDINATE												
	SHEET No.												



AUTOMATIC TRANSFER SWITCH  
 MODEL TS 870  
 PHYSICAL LAYOUT & INSTALLATION DETAILS  
 600A, 2P/3P, NEMA 1/2/12/3R, SINGLE DOOR, SE

DRAWINGS AND OR OTHER TECHNICAL INFORMATION SUPPLIED BY THOMSON POWER SYSTEMS AS A PART OF A SALE OF EQUIPMENT ARE FOR THE PURCHASER'S USE SOLELY IN CONJUNCTION WITH THAT EQUIPMENT, UNLESS SPECIFICALLY AGREED TO OTHERWISE AS A PART OF THE TERMS OF SALE.

CUSTOMER THOMSON POWER SYSTEMS	
CUSTOMER ORDER No. C-XXXXXX	WORK ORDER No. W-XXXXXX
DRAWN BY AP	AUTH BY OG
DATE 16-01-26	REV 0
DRAWING/FILE No. MCS870M236	SHEET 10A