

# Foxfab Power Pedestals

## FFPP-M2 Series



The FFPP-M2 Series Power Pedestals are designed to supply marina shore power with a low cost solution. These units are user friendly and come equipped with marine grade receptacles. Enclosures are constructed in marine grade aluminum.

### Standard Features/Specifications

- Weatherproof Type 3R Enclosure
- Marine Grade Aluminum Construction
- Floor-Mount Design
- Marine Grade Corrosion Resistant Receptacles
- 10kAIC Standard Mini Breakers
- 120/208/240VAC
- ETL Certified Assembly

### Options

- Type 4, 4X Enclosure
- Stainless Steel
- Custom Powder Coat Finishes
- Photocell Activated LED Lighting
- Single/Dual Water Hose Connections
- Hose and Cable Brackets
- Telephone/Cable/High Speed Internet Connections

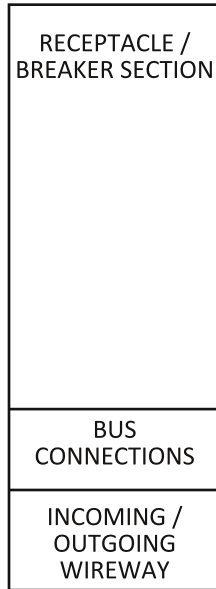
Rev 0.1

# Foxfab Power Pedestals

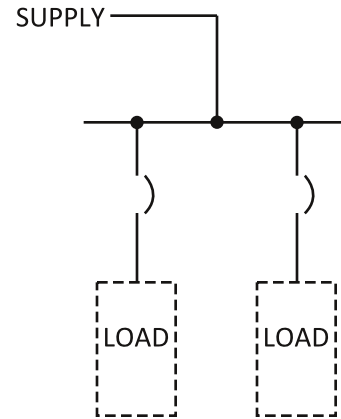
## FFPP-M2 Series



### Panel Layouts



### One-Line Diagram



### Typical Configurations

PART NO.	RECEPTACLES	BREAKER	DIMENSIONS		
			H (")	W (")	D (")
FFPP-M2-1	1 x 20A Duplex 1 x 30A 125V T.L.	1 x 20A 1P 1 x 30A 1P	31	7.5	7.5
FFPP-M2-2	1 x 20A Duplex 1 x 30A 125V T.L. 1 x 50A 125/250V T.L.	1 x 20A 1P 1 x 30A 1P 1 x 50A 2P	31	7.5	7.5
FFPP-M2-3	1 x 15A GFI Duplex 2 x 50A 125/250V T.L.	1 x 15A 1P 2 x 50A 2P	31	7.5	7.5