

REFERENCE ASSEMBLY (FOR SIMPLEX USE ONLY)			
ITEM	DESCRIPTION	PART NUMBER	QTY.
1A	CFFB-2 COMPACT FLUSH FILL BASE WELDMENT ASSEMBLY	ACD-00062362A	1
2A	CFFB-2 ELBOW/PIPE ASSEMBLY	ACD-00062368A	1
3A	CFFB-2 2.00"x12.00" NIPPLE ASSEMBLY	ACD-00062372A	1
4A	CFB-2 0.50"x4.00" NIPPLE ASSEMBLY	ACD-00053538A	1

FUEL ASSEMBLY PARTS (FS Assy-OPERATION 10)			
ITEM	DESCRIPTION	PART NUMBER	QTY.
1B AC	2.00" ANGLE CHECK ELBOW COUPLER, FEMALE NPT. THREAD x COUPLER, ALUMINUM BODY W/ VITON SEAL, PART G	22919002A	1
2B DP1	DUST PLUG ADAPTER FOR 2.00" COUPLER, ALUMINUM, PART W	22440792	1
3B N1	2.00"x6.00" NPT. NIPPLE, SCH. 40, 304 STAINLESS STEEL, TBE	60000160	1
4B MHP	MANUAL HAND PUMP, STEEL BODY W/ ALUMINUM HEAD & BASE 1-GAL. PER 9 STROKES DELIVERY RATE	24740000	1
5B BV2	2.00" NPT. MANUAL BALL VALVE, FULL PORT, BRASS/BRONZE BODY	22918201	1

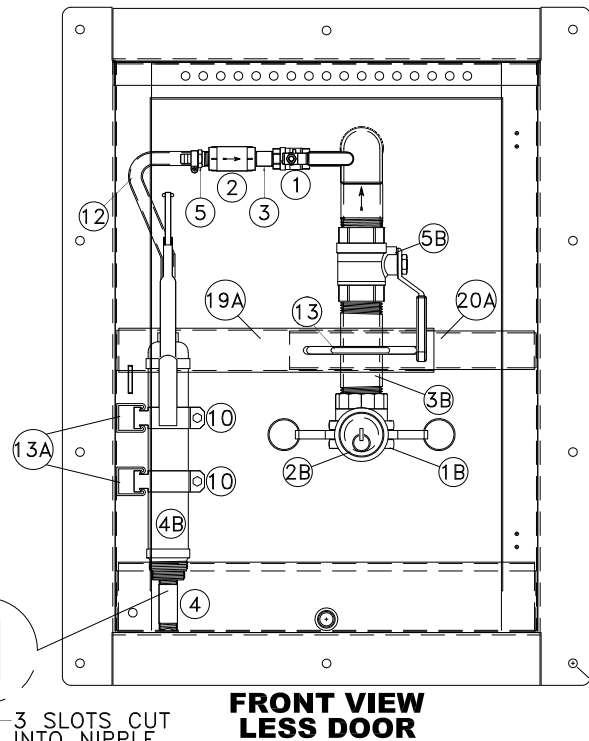
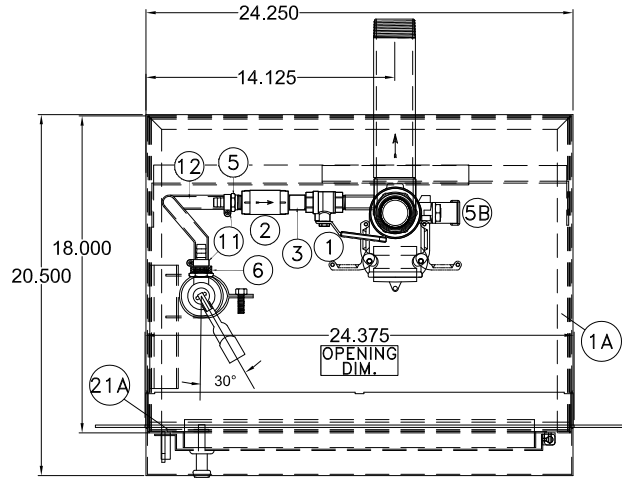
AVAILABLE PARTS (REFERENCE SALES ORDER FOR OPTIONS)

FUEL ASSEMBLY PARTS (FLOOR STOCK)				
ITEM	DESCRIPTION	PART NUMBER	QTY.	OPTION
14 RC	3.00"x2.00" REDUCING COUPLER x ADAPTER, 3.00" PART D COUPLER x 2.00" ADAPTER, ALUMINUM BODY W/ VITON GASKET	60000190	1	FSOP-040
15 DL	DIESEL LABEL, 6"x3"H, GREEN/WHITE	24138005	1	FSOP-041
16 GL	GAS LABEL, 6"x3"H, RED/WHITE	24138000	1	FSOP-042
17 EQ	FLORIDA EQ-481 SPILL CONTAINMENT LABEL, 5.25"Lx2.5"H, WHITE/BLACK	24055213	1	FSOP-043

DIESEL 15

GAS 16

Florida EQ-481 17



FP-2-075 COMPACT FLUSH MOUNT FUEL PORT 2"

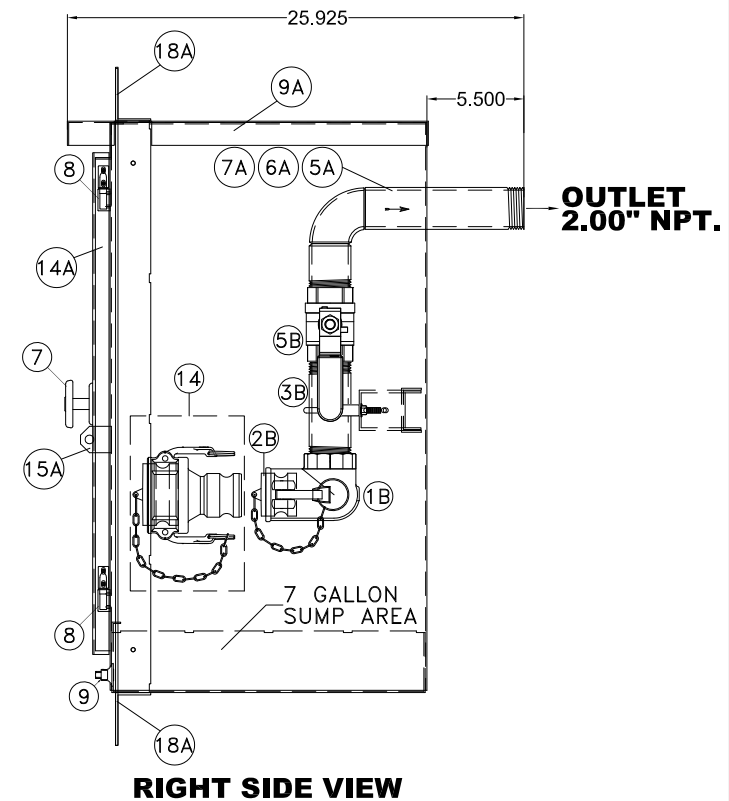
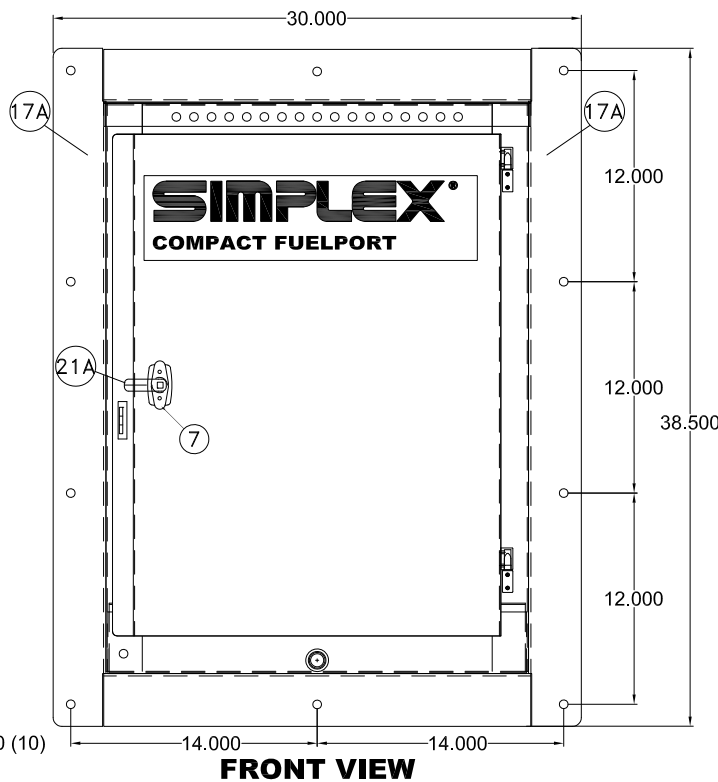
STD. FILLING SYSTEM DRAWING

NON-STD. FILLING SYSTEM DRAWING

CUSTOMER/PRODUCTION DRAWING

FABRICATED PARTS (Weld-OPERATION 10)			
ITEM	DESCRIPTION	PART NUMBER	QTY.
5A	2.00"x12.00" NPT. NIPPLE, THREADED BOTH ENDS, SCH. 40, BLK.	60000208	1
6A	2.00" BUTT-WELD ELBOW, 90 DEGREE, SR, SCH. 40, CS	22464006	1
7A	0.50"x4.00" NPT. NIPPLE, THREADED BOTH ENDS, SCH. 40, BLK.	22513100	1
8A	0.375" NPT. WELD FLANGE, BLK, FLAT TYPE FOR SUMP DRAIN	22602000	1
9A	COMPACT FLUSH MOUNT FILL BASE TOP	ACD-00062365A	1
10A	COMPACT FLUSH MOUNT FILL BASE WRAPPER	ACD-00062363A	1
11A	COMPACT FILL BASE TOP HEADER	ACD-00053541A	1
12A	COMPACT FLUSH MOUNT FILL BASE BOTTOM	ACD-00062364A	1
13A	COMPACT FILL BASE UNISTRUT DETAIL	ACD-00053544A	2
14A	COMPACT FLUSH MOUNT FILL BASE DOOR	ACD-00062369A	1
15A	COMPACT FILL BASE PADLOCK SLOT/TAB, 7GA. H.R.S.	ACD-00053547A	1
16A	COMPACT FILL BASE STAINLESS STEEL GROUND STUD	ACD-00053548A	1
17A	COMPACT FLUSH MOUNT FILL BASE LEFT & RIGHT WALL FLANGE	ACD-00062366A	2
18A	COMPACT FLUSH MOUNT FILL BASE TOP & BOTTOM WALL FLANGE	ACD-00062367A	2
19A	COMPACT FLUSH MOUNT FILL BASE LEFT PLUMBING SUPPORT BRACKET	ACD-00062370A	1
20A	COMPACT FLUSH MOUNT FILL BASE RIGHT PLUMBING SUPPORT BRACKET	ACD-00062371A	1
21A	COMPACT FILL BASE DOOR PAWL, 2.375", GALVANIZED	ACD-00053551A	1

FUEL ASSEMBLY PARTS (FLOOR STOCK)			
ITEM	DESCRIPTION	PART NUMBER	QTY.
1 BV1	0.50" NPT. MANUAL BALL VALVE, FULL PORT, BRASS/BRONZE BODY	22918050	1
2 CV	0.50" NPT. CHECK VALVE, SPRING TYPE, BRONZE W/ VITON O-RING	22923105	1
3 NP2	0.50"x1.50" NPT. NIPPLE, SCH. 40, 304 STAINLESS STEEL, TBE	22514048	1
4 NP3	0.75"x3.00" NPT. NIPPLE, SCH. 40, 304 STAINLESS STEEL, TBE	60000102	1
5 HB1	HOSE BARB 0.50" ID BARB x 0.50" NPT. MALE THREADS, BRASS	60000159	1
6 HB2	HOSE BARB 0.50" ID BARB x GHT FEMALE THREADS, BRASS	22743000	1
7 DLN	DOOR LATCH, NON-LOCKING T-HANDLE, BLACK W/ GASKET	15454500	1
8 DH	DOOR HINGE 2-1/4"x19/32" #10 W/ UL GREEN SEALING WASHERS	15372001 20715025	2 4
9 SP	SUMP PLUG, 0.375" NPT. HEX HEAD, 316 STAINLESS STEEL	22905600	1
10 PC1	2.00" PIPE CLAMP, GALVANIZED FOR MOUNTING MANUAL HAND PUMP	27100105	2
11 HC	HOSE CLAMP W/ STAINLESS STEEL BAND	22203000	2
12 H	PCV CLEAR BRAIDED HOSE, 0.50" I.D. x 0.75" O.D.	22730001	-
13 PC2	PIPE CLAMP U-BOLT, STEEL FOR 2.00" PIPE, 3/8"-16 THREAD	19405600	1



- NOTES
- 1) ALL DIMENSIONS ±.125
 - 2) DUE TO SYSTEM COMPLEXITY SOME COMPONENTS MAY NOT BE VISIBLE IN ALL VIEWS
 - 3) CONSTRUCTION WELDED 14 GA. H.R.S.
 - 4) CABINET COLOR: **WHITE** DOOR COLOR: **BLUE**
 - 5) APPROXIMATE WEIGHT: 135lbs.

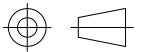
SIMPLEX

SIMPLEX, INC.
5300 RISING MOON ROAD
SPRINGFIELD, ILLINOIS 62711-6228

THE INFORMATION HEREON IS THE PROPERTY OF SIMPLEX, INC., AND/OR ITS SUBSIDIARIES. WITHOUT WRITTEN PERMISSION ANY COPYING, TRANSMITTAL TO OTHERS AND USE EXCEPT THAT FOR WHICH IT IS LOANED IS PROHIBITED.

© 2019 SIMPLEX, INC.
ALL RIGHTS RESERVED

THIRD ANGLE PROJECTION



REV	DATE	DESCRIPTION
AA		INT APPR
AA		INT
AA		APPR
10/25/2019		ORIGINAL DESIGN
A		REV

TOLERANCES
X.XXX ± 0.005"
X.XX ± 0.010"
X.X ± 0.020"
FRACTIONAL ± 1/32"
ANGLES ± 1°
SURFACES 125

APPROVED BY: AA
DRAWN BY: AA
SCALE: 1:10.7405
SHEET SIZE: ANSI B
JOB NUMBER: NA

DESCRIPTION
COMPACT FLUSH FUEL PORT
FP-2-075 PICTORIAL
FSOP-075 FLUSH MOUNT

Approved 10/31/2019

DRAWING NUMBER
ACD-00063214

SHEET NUMBER: 1/1
REVISION: A