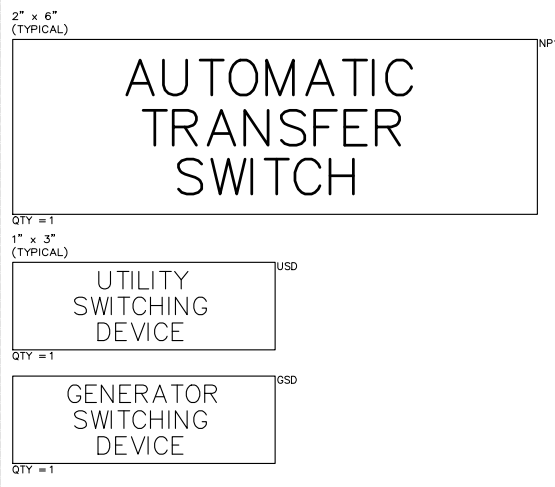


GENERAL NOTES

- SWITCHBOARD SUPPLIED IN ONE PIECES
- FRONT AND REAR ACCESS REQUIRED
- EXTERIOR PAINT ASA #61 GREY
- MAIN BUS 100% RATED, BRACED AT 100KA
- ALL BUS WILL BE TIN-PLATED COPPER
- UTILITY SWITCHING DEVICE (USD) IS SQUARE D, NW, 3P, ELECTRICALLY OPERATED, FIXED TYPE
- GENERATOR SWITCHING DEVICE (GSD) IS SQUARE D, NW, 3P, ELECTRICALLY OPERATED, FIXED TYPE
- AUTO TRANSFER SWITCH WIRING SHALL BE #18-14 TEW
- NAME PLATES TO BE BLACK WITH WHITE LETTERS
- REFER PROJECT SPECIFIC OPTIONS LIST FOR SELECTED ENCLOSURE TYPE

BASIC MODEL TS 88xA	STANDARD ATS		
	WITHSTAND CURRENT RATING AVAILABLE AMPS (RMS)		
	MAX. VOLTAGE	RATED CURRENT (A)	
TS 88xA-4000	600	4000	100,000 100,000 85,000

CONNECTION DATA		
UTILITY (SRC1)	11C, 2/0-600MCM Cu/Al PER PHASE & NEUTRAL	
GENERATOR (SRC2)	11C, 2/0-600MCM Cu/Al PER PHASE & NEUTRAL	
LOAD	11C, 2/0-600MCM Cu/Al PER PHASE & NEUTRAL	
GROUND	#6-250MCM Cu/Al	



2.5" x 5"

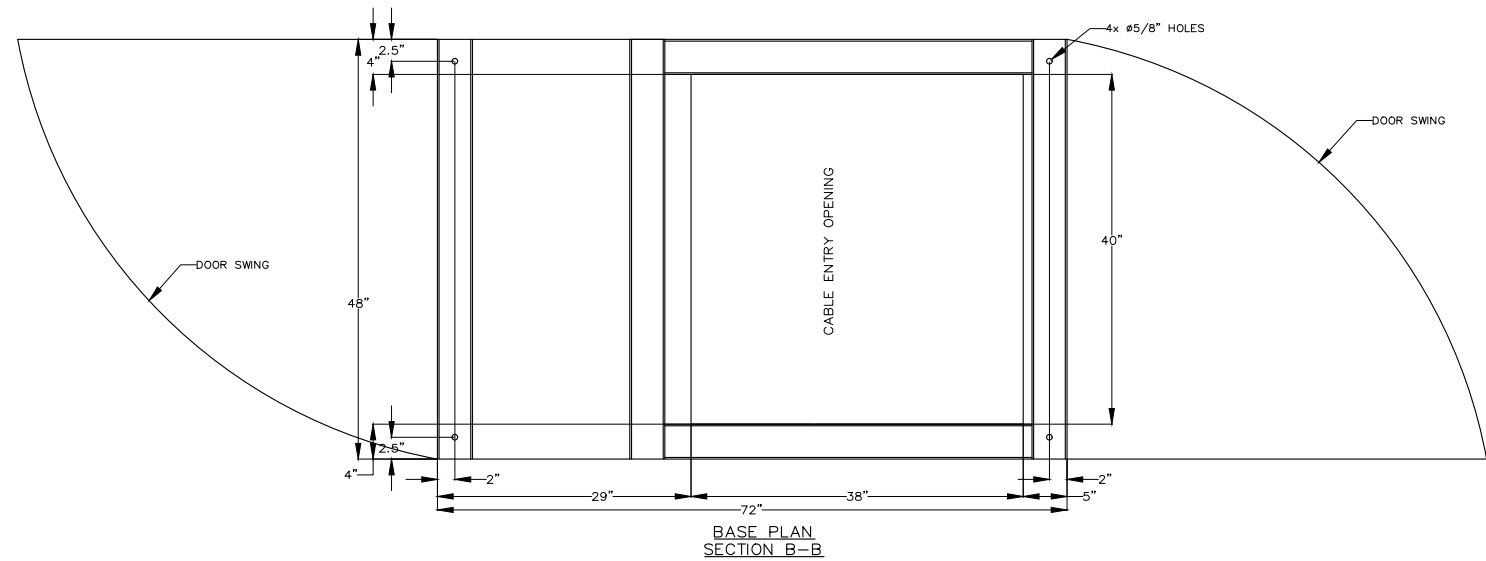
⚠ DANGER PELIGRO

Arc Flash and Shock Hazard
Will cause severe injury or death. More than one live circuit - see diagram. Disconnect all sources of supply before servicing. This equipment must be installed and serviced only by qualified electrical personnel utilizing safe work practices and appropriate Personal Protective Equipment (PPE). Failure to comply may result in injury or death! Refer to NFPA 70E for minimum PPE requirements.

Risque d'Arc Electrique et d'Electrocution
Peut causer des blessures graves ou la mort. Plus d'un circuit sous tension - voir schéma. Couper toutes les sources d'alimentation avant de faire l'entretien et les réparations. Ce matériel doit être installé et entretenu uniquement par un électricien qualifié. Ce dernier doit connaître les pratiques de travail sécuritaires et porter l'équipement de protection individuelle approprié. Le non respect peut entraîner des blessures ou la mort! Reportez-vous à NFPA 70E pour le manuel des exigences minimales PPE.

Riesgo de Arco y Choque Eléctrico
Se causarán lesiones graves o muerte. Más de un circuito energizado - ver diagrama. Desconectar todas las fuentes de suministro antes de hacer mantenimiento. Este equipo solo se debe instalar y mantener por personal calificado, usando medidas de seguridad y equipo de protección personal adecuados. No seguir estas recomendaciones puede causar lesiones o muerte! Consultar la NFPA 70E para los requisitos mínimos del equipo de protección personal (PPE).

QTY = 1



APPROVED FOR CONSTRUCTION

MASTER COPY REFERENCE COPY OF _____

MULTIPLE UNIT WORK ORDER

RELEASED FOR INFORMATION

AUTH. BY: _____ DATE: _____

CROSS REFERENCE LEGEND		DRAWING No.		REFERENCE DRAWINGS		No.		REVISIONS		BY/AUTH		DATE	
SOC-C-1	GRID COORDINATE												
	SHEET No.												



AUTOMATIC TRANSFER SWITCH
MODEL TS 880
PHYSICAL LAYOUT & INSTALLATION DETAILS
4000A, 3P, NEMA 3R/3RX, FIXED MOUNT, STD

DRAWINGS AND OR OTHER TECHNICAL INFORMATION SUPPLIED BY THOMSON POWER SYSTEMS AS A PART OF A SALE OF EQUIPMENT ARE FOR THE PURCHASER'S USE SOLELY IN CONJUNCTION WITH THAT EQUIPMENT, UNLESS SPECIFICALLY AGREED TO OTHERWISE AS A PART OF THE TERMS OF SALE.

FOR REVIEW ONLY

CUSTOMER THOMSON POWER SYSTEMS	
CUSTOMER ORDER No.	WORK ORDER No.
C-XXXXXX	W-XXXXXX
DRAWN BY AP	AUTH BY OG
DATE 16-01-26	REV 0
DRAWING/FILE No. ICS880M117	SHEET 10A