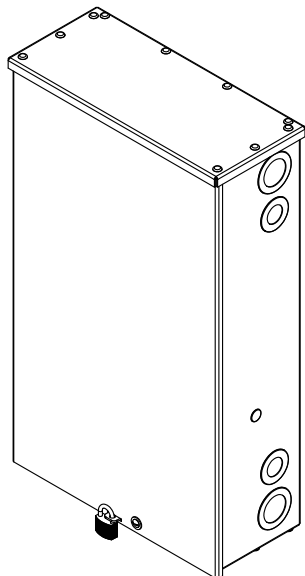


NEMA1



W/ NEMA3R OPTION

2.5" x 5" W1

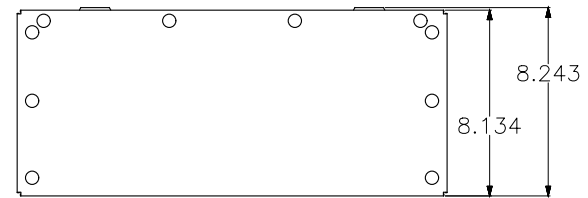
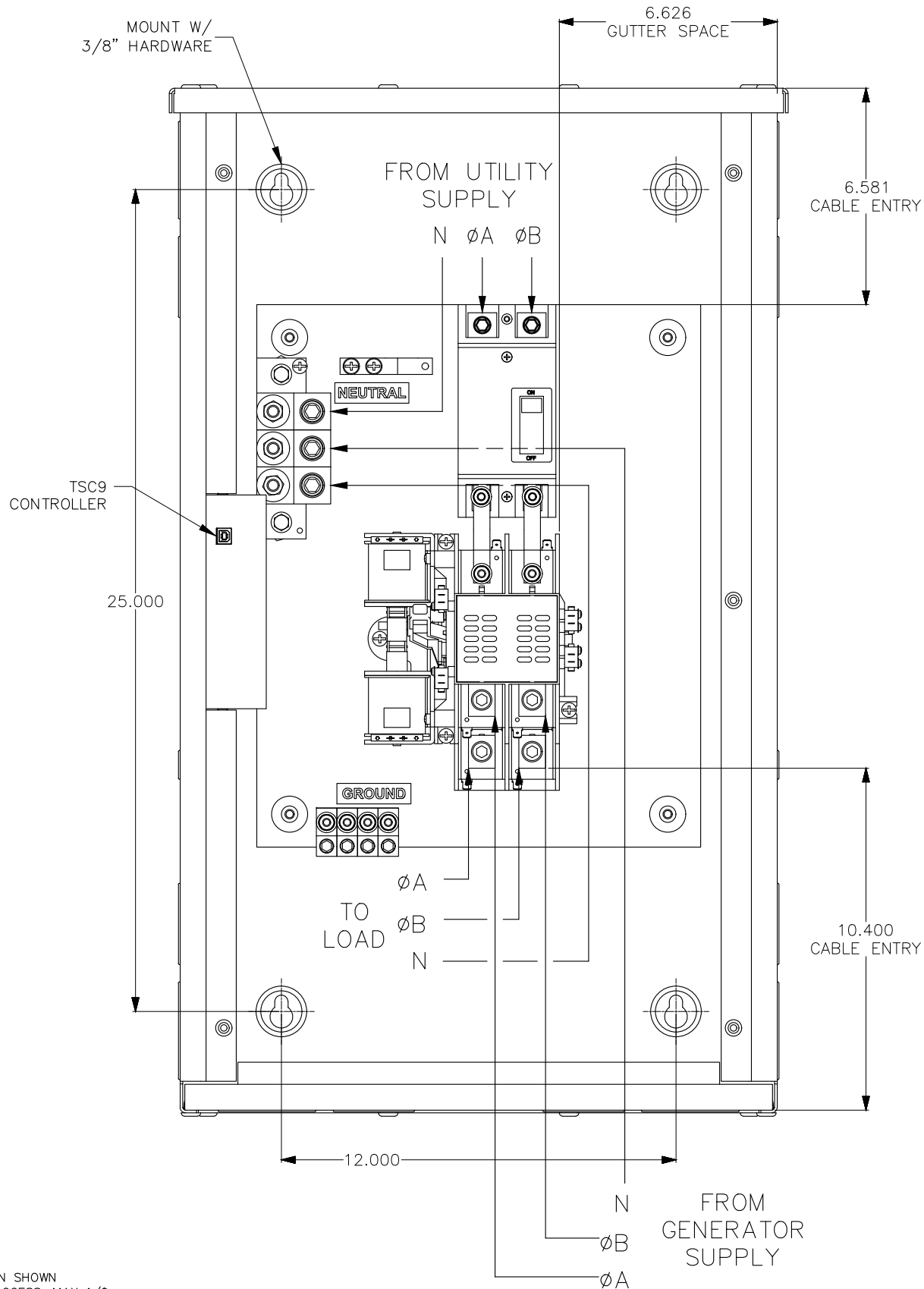
⚠ DANGER PELIGRO

Arc Flash and Shock Hazard

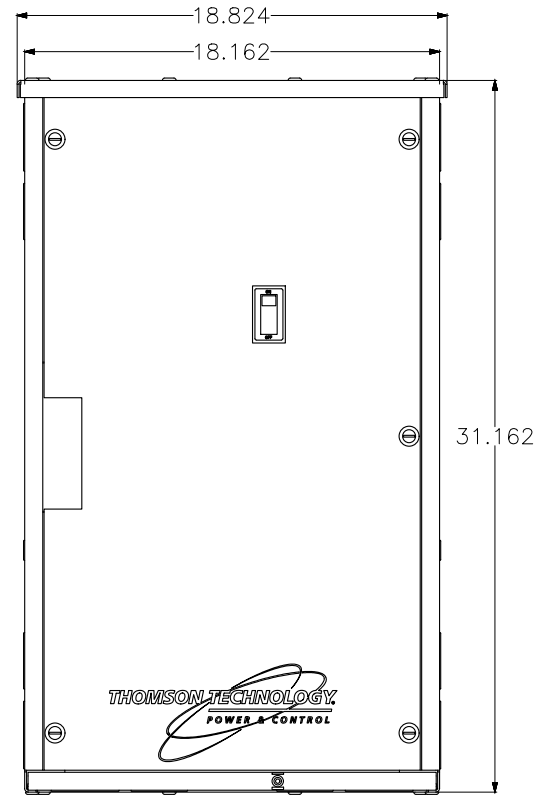
Risque d'Arc Electrique et d'Electrocution

Riesgo de Arco y Choque Electrico

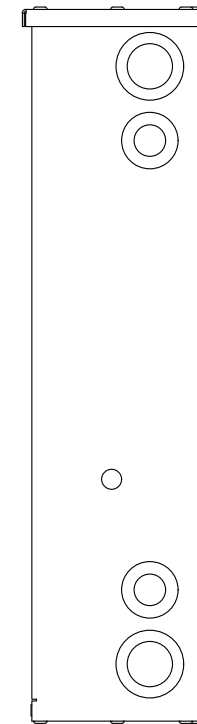
- NOTES:
- 1) STANDARD CONFIGURATION SHOWN
 - 2) BOTTOM & SIDE CABLE ACCESS, MAX 1/0
 - 3) TOP CABLE ACCESS, MAX #3
 - 4) CONDUIT KNOCKOUTS; 1", 1.5", 2", 2.5"



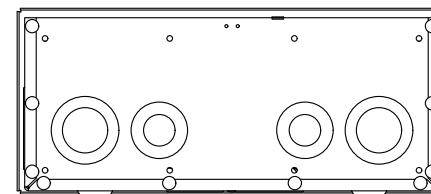
TOP



FRONT



RIGHT



BOTTOM

TRANSFER SWITCH OPTIONS

ENCLOSURE TYPE

- NEMA 1
 NEMA 3R

ENCLOSURE MATERIAL

- ALUMINUM

APPLICATION

- SERVICE ENTRANCE

SIZE (AMPS)

- 200A

- 2 POLE

- SOLID NEUTRAL

⚠ POWER SWITCHING DEVICES ARE MECHANICALLY INTERLOCKED SO THAT ONLY ONE DEVICE IS CLOSED AT A TIME.
 ⚠ FOR TRANSFER SWITCH OPTIONS SEE SCHEMATIC DIAGRAM.

CONNECTION DATA

- 200A ATS:
 UTILITY: 1C #6-250MCM Cu/Al PER PHASE
 GEN: 1C #6-250MCM Cu/Al PER PHASE
 LOAD: 1C #6-250MCM Cu/Al PER PHASE
 NEUTRAL: 1C #6-250MCM Cu/Al PER SOURCE
 GROUND: 1C #14-2/0 Cu/Al.

SPECIAL REQUIREMENTS

APPROVED FOR CONSTRUCTION. DRAWINGS SUBJECT TO CHANGE WITHOUT NOTICE.

DRAWINGS AND/OR OTHER TECHNICAL INFORMATION SUPPLIED BY THOMSON POWER SYSTEMS AS A PART OF A SALE OF EQUIPMENT ARE FOR THE PURCHASER'S USE SOLELY IN CONJUNCTION WITH THAT EQUIPMENT, UNLESS SPECIFICALLY AGREED TO OTHERWISE AS A PART OF THE TERMS OF SALE.

APPROVED FOR CONSTRUCTION
 MASTER COPY REFERENCE COPY OF _____
 MULTIPLE UNIT WORK ORDER
 RELEASED FOR INFORMATION
 AUTH. BY: OG DATE: 12-10-03

DRAWING No.	REFERENCE DRAWINGS	No.	REVISIONS	BY	OG	DATE
		1	LOGO CHANGED	SR	OG	16-06-07



AUTOMATIC TRANSFER SWITCH
 MODEL TS 910
 PHYSICAL LAYOUT & INSTALLATION DETAILS
 (TYPICAL)

CUSTOMER			
CUSTOMER ORDER No.	WORK ORDER No.		
DRAWN BY TL	AUTH BY OG	DATE 12-10-03	REV 1
DRAWING/FILE No. 910M005			SHEET 1/1