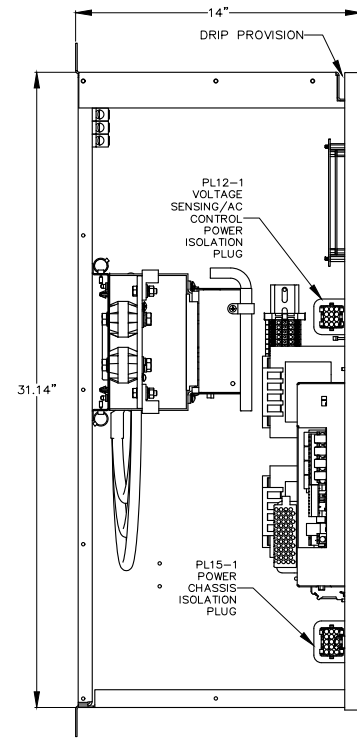
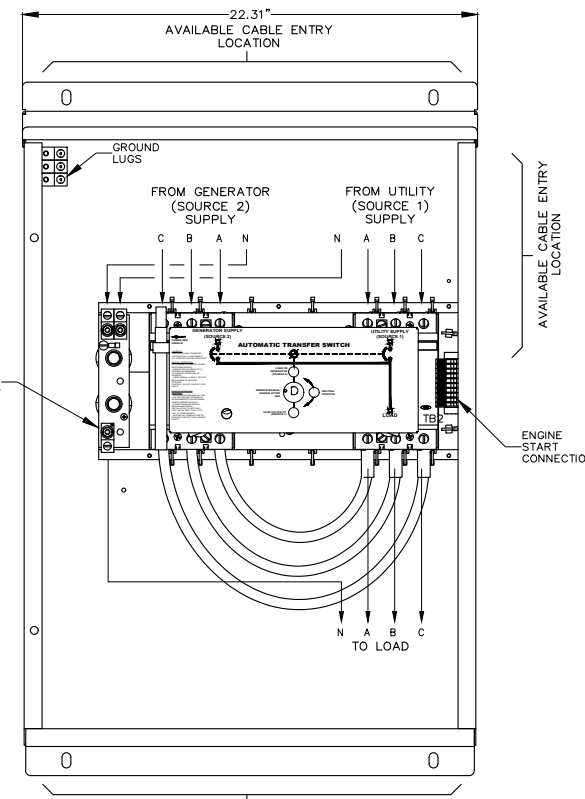


FRONT VIEW

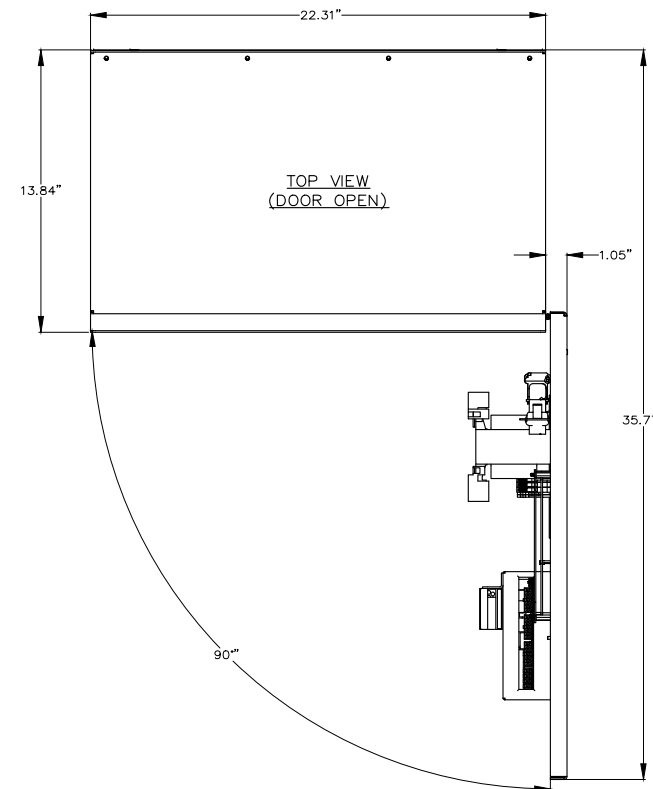
ALLOW AT LEAST 1.5" CLEARANCE FOR UNIMPEDED OPENING OF THE DOOR TO AT LEAST 90°



LHS VIEW (SIDE COVER REMOVED)



INTERIOR FRONT VIEW (DOOR NOT SHOWN)



TOP VIEW (DOOR OPEN)

BASIC MODEL TS87xA	STANDARD ATS				
	MAX. VOLTAGE	RATED CURRENT (A)	②40V	④480V	⑥600V
TS 87xA-100	600	100	65,000	25,000	18,000
TS 87xA-150	600	150	65,000	25,000	18,000
TS 87xA-200	240	200	65,000	N/A	N/A

100A ATS	CONNECTION DATA	
	UTILITY (SRC1)	1C, #14-1/0 Cu/Al PER PHASE
150A ATS	GENERATOR (SRC2)	1C, #14-1/0 Cu/Al PER PHASE
	LOAD	1C, #14-1/0 Cu/Al PER PHASE
	NEUTRAL	1C, #14-2/0 Cu/Al PER SOURCE
	GROUND	3C, #14-2/0 Cu/Al
200A ATS	UTILITY (SRC1)	1C, #2-4/0 Cu/Al PER PHASE
	GENERATOR (SRC2)	1C, #2-4/0 Cu/Al PER PHASE
	LOAD	1C, #2-4/0 Cu/Al PER PHASE
	NEUTRAL	1C, #14-2/0 Cu/Al PER SOURCE
200A ATS	GROUND	3C, #14-2/0 Cu/Al
	UTILITY (SRC1)	1C, #6-350MCM Cu/Al PER PHASE
	GENERATOR (SRC2)	1C, #6-350MCM Cu/Al PER PHASE
200A ATS	LOAD	1C, #6-350MCM Cu/Al PER PHASE
	NEUTRAL	1C, #6-350MCM Cu/Al PER SOURCE
	GROUND	3C, #14-2/0 Cu/Al

GENERAL NOTES	
1	POWER SWITCHING DEVICES ARE MECHANICALLY INTERLOCKED SO THAT ONLY ONE DEVICE IS CLOSED AT A TIME
2	ENCLOSURE FINISH : ASA #61 GREY
3	REFER PROJECT SPECIFIC OPTIONS LIST FOR SELECTED ENCLOSURE TYPE

2.5" x 5"

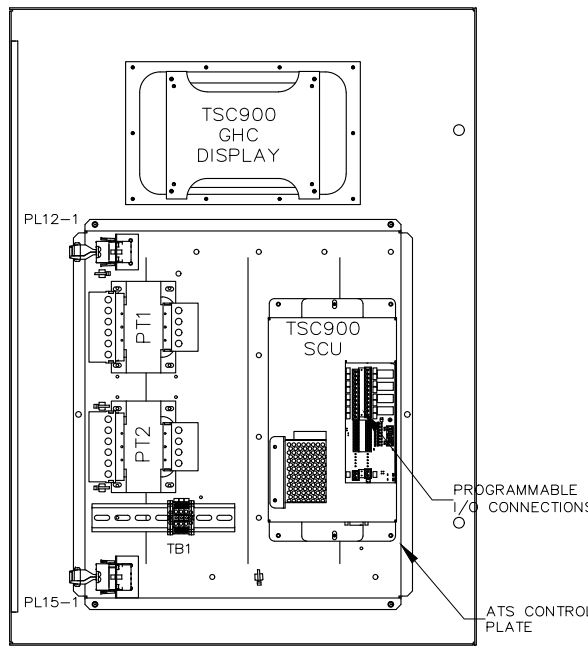
⚠ DANGER PELIGRO

Arc Flash and Shock Hazard
 Will cause severe injury or death. More than one live circuit - see diagram. Disconnect all sources of supply before servicing. This equipment must be installed and serviced only by qualified electrical personnel utilizing safe work practices and appropriate Personal Protective Equipment (PPE). Failure to comply may result in injury or death! Refer to NFPA 70E for minimum PPE requirements.

Risque d'Arc Électrique et d'Électrocution
 Peut causer des blessures graves ou la mort. Plus d'un circuit sous tension - voir schéma. Couper toutes les sources d'alimentation avant de faire l'entretien et les réparations. Ce matériel doit être installé et entretenu uniquement par un électricien qualifié. Ce dernier doit connaître les pratiques de travail sécuritaires et porter l'équipement de protection individuelle approprié. Le non respect peut entraîner des blessures ou la mort! Rapports-vous à NFPA 70E pour le manuel des exigences minimales PPE.

Riesgo de Arco y Choque Eléctrico
 Se causarán lesiones graves o muerte. Más de un circuito energizado - ver diagrama. Desconectar todas las fuentes de suministro antes de hacer mantenimiento. Este equipo solo se debe instalar y mantener por personal calificado, usando medidas de seguridad y equipo de protección personal adecuados. No seguir estas recomendaciones puede causar lesiones o muerte! Consulte a NFPA 70E para los requisitos mínimos del equipo de protección personal (PPE).

QTY = 1



VIEWED FROM REAR (INSIDE) OF DOOR

APPROVED FOR CONSTRUCTION
 MASTER COPY REFERENCE COPY OF
 MULTIPLE UNIT WORK ORDER
 RELEASED FOR INFORMATION
 AUTH. BY: _____ DATE: _____

CROSS REFERENCE LEGEND	
SOC-C-1	GRID COORDINATE
SHEET No.	DRAWING No.
REFERENCE DRAWINGS	No.
REVISIONS	BY/AUTH DATE



AUTOMATIC TRANSFER SWITCH
 MODEL TS 870
 PHYSICAL LAYOUT & INSTALLATION DETAILS
 100-200A, 2P/3P, NEMA 1/2/12/3R, SINGLE DOOR, STD

CUSTOMER THOMSON POWER SYSTEMS			
CUSTOMER ORDER No. C-XXXXXX	WORK ORDER No. W-XXXXXX		
DRAWN BY AP	AUTH BY OG	DATE 16-01-26	REV 0
DRAWING/FILE No. MCS870M100	SHEET 10A		