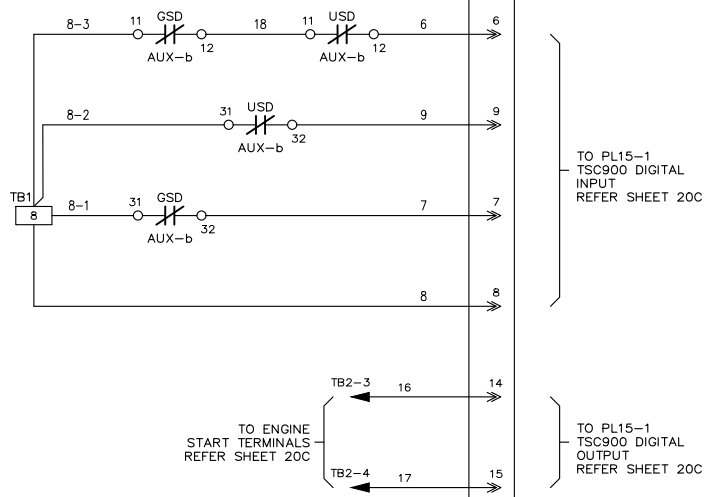
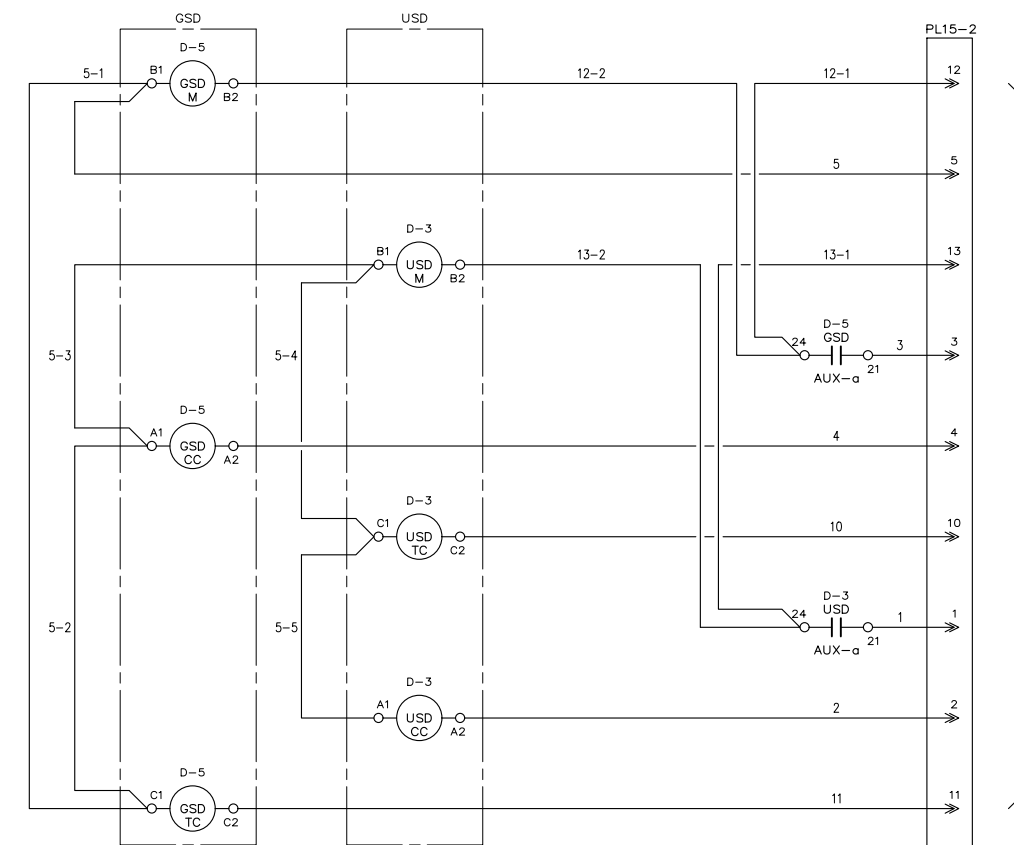
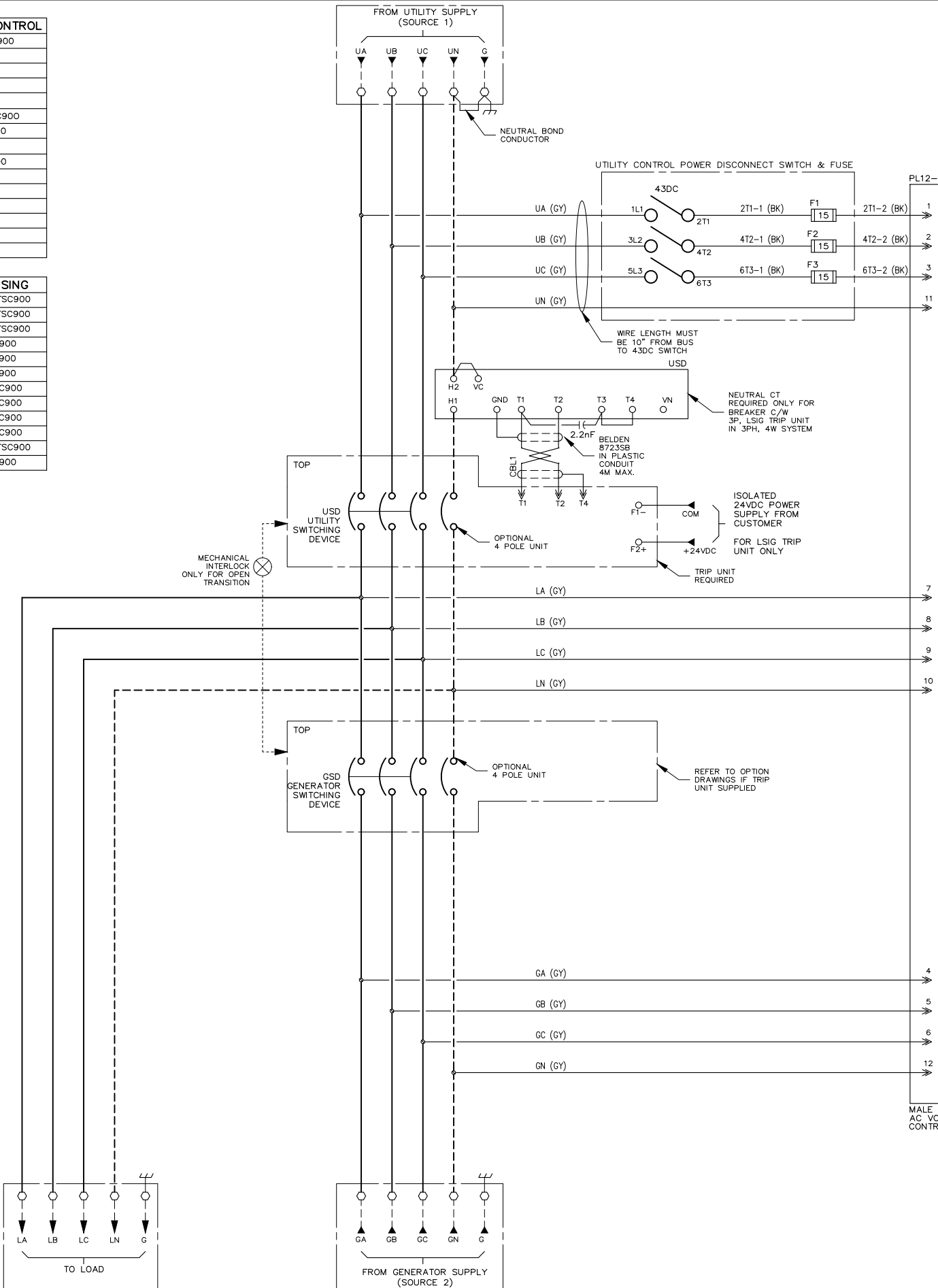


| PL15# | DESCRIPTION OF CONTROL    |
|-------|---------------------------|
| 1     | LOAD ON UTILITY TO TSC900 |
| 2     | CLOSE USD FROM TSC900     |
| 3     | LOAD ON GEN TO TSC900     |
| 4     | CLOSE GSD FROM TSC900     |
| 5     | AC COMMON (GRD)           |
| 6     | GSD & USD OPEN TO TSC900  |
| 7     | GSD OPEN AUX TO TSC900    |
| 8     | DC COMMON (GRD)           |
| 9     | USD OPEN AUX TO TSC900    |
| 10    | OPEN USD FROM TSC900      |
| 11    | OPEN GSD FROM TSC900      |
| 12    | GEN 120VAC POWER          |
| 13    | UTILITY 120VAC POWER      |
| 14    | ENGINE START OUTPUT       |
| 15    | ENGINE START OUTPUT       |

| PL12# | AC VOLTAGE SENSING           |
|-------|------------------------------|
| 1     | φA UTILITY VOLTAGE TO TSC900 |
| 2     | φB UTILITY VOLTAGE TO TSC900 |
| 3     | φC UTILITY VOLTAGE TO TSC900 |
| 4     | φA GEN VOLTAGE TO TSC900     |
| 5     | φB GEN VOLTAGE TO TSC900     |
| 6     | φC GEN VOLTAGE TO TSC900     |
| 7     | φA LOAD VOLTAGE TO TSC900    |
| 8     | φB LOAD VOLTAGE TO TSC900    |
| 9     | φC LOAD VOLTAGE TO TSC900    |
| 10    | φN LOAD VOLTAGE TO TSC900    |
| 11    | φN UTILITY VOLTAGE TO TSC900 |
| 12    | φN GEN VOLTAGE TO TSC900     |



| COLOR KEY |        |
|-----------|--------|
| BK        | BLACK  |
| BE        | BLUE   |
| BN        | BROWN  |
| GN        | GREEN  |
| GY        | GREY   |
| OR        | ORANGE |
| PE        | PURPLE |
| R         | RED    |
| W         | WHITE  |
| Y         | YELLOW |
| V         | VIOLET |

- GENERAL NOTES**
- 1 COLOR CODE: ALL WIRING IS GREY UNLESS NOTED. SAFETY GROUND WIRES ARE GREEN
  - 2 VOLTAGE SENSING WIRE HARNESS PART ID : 013703
  - 3 POWER CHASSIS WIRE HARNESS PART ID : 013706

APPROVED FOR CONSTRUCTION  
 MASTER COPY    REFERENCE COPY \_\_\_\_\_ OF \_\_\_\_\_  
 MULTIPLE UNIT WORK ORDER  
 RELEASED FOR INFORMATION  
 AUTH. BY: \_\_\_\_\_ DATE: \_\_\_\_\_

CROSS REFERENCE LEGEND  
 SOC-C-1  
 GRID COORDINATE  
 SHEET No.

| DRAWING No. | REFERENCE DRAWINGS                        | No. | REVISIONS | BY | OG | DATE     |
|-------------|---|-----|-----------|----|----|----------|
|             | 1 WIRE HARNESS UPDATED AS PER ECR-0114744 |     |           | AP | OG | 16-07-22 |



AUTOMATIC TRANSFER SWITCH  
 MODEL TS 880  
 ICS AC SCHEMATIC, FIXED, SE  
 800 - 4000A

FOR REVIEW ONLY

|  |                         |
|--|-------------------------|
| DRAWINGS AND/OR OTHER TECHNICAL INFORMATION SUPPLIED BY THOMSON POWER SYSTEMS AS A PART OF A SALE OF EQUIPMENT ARE FOR THE PURCHASER'S USE SOLELY IN CONNECTION WITH THAT EQUIPMENT, UNLESS SPECIFICALLY AGREED TO OTHERWISE AS A PART OF THE TERMS OF SALE. |                         |
| CUSTOMER ORDER No. C-XXXXXX  | WORK ORDER No. W-XXXXXX |
| DRAWN BY AP  | DATE 16-01-26           |
| AUTH BY OG   | REV 1                   |
| DRAWING/FILE No. ICS880E200  | SHEET 20A               |