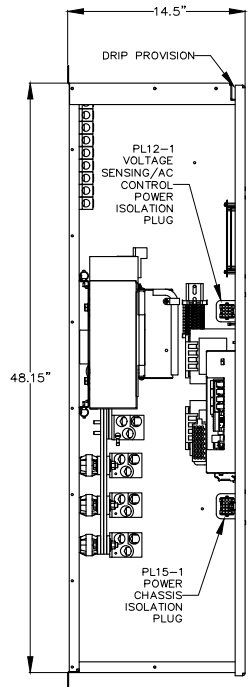
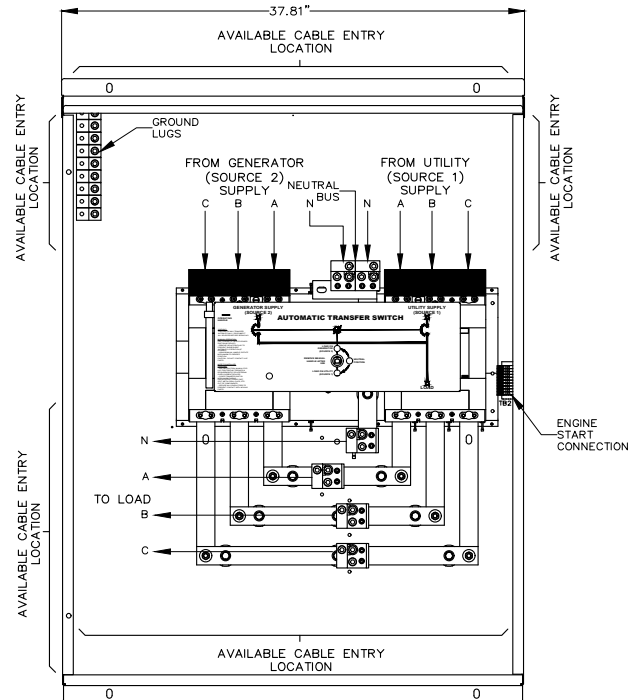


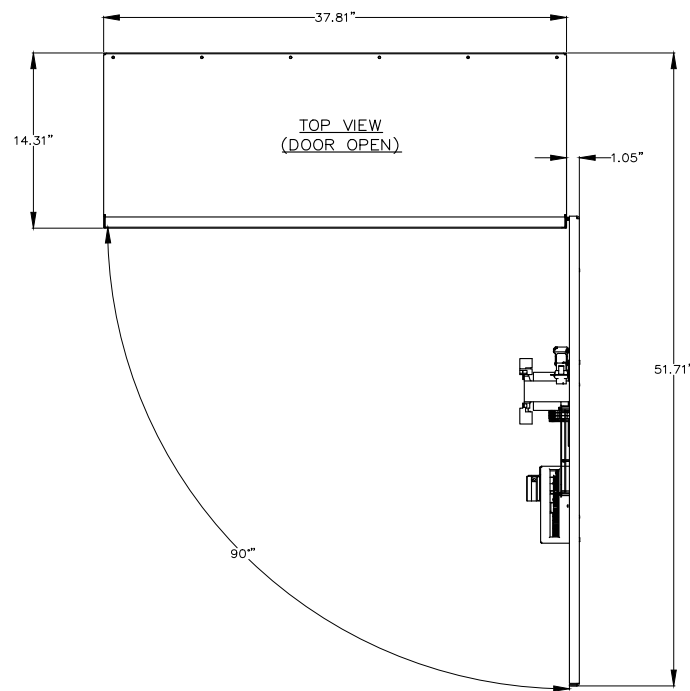
FRONT VIEW



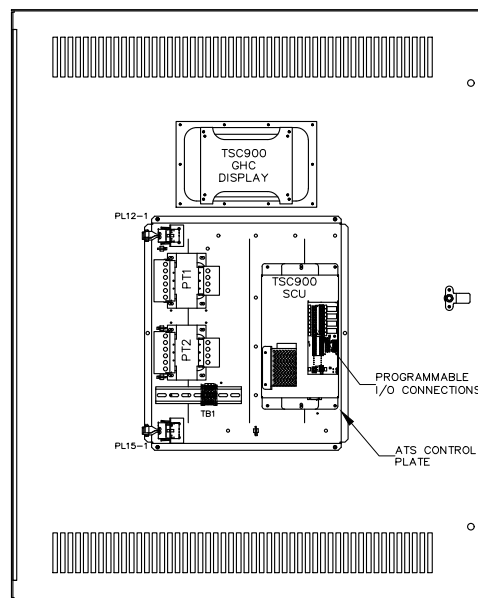
LHS VIEW
(SIDE COVER REMOVED)



INTERIOR FRONT VIEW
(DOOR NOT SHOWN)



TOP VIEW
(DOOR OPEN)



VIEWED FROM REAR
(INSIDE) OF DOOR

BASIC MODEL TS87xA	STANDARD ATS				
	CLOSING AND WITHSTAND RATING				
	AVAILABLE AMPS (RMS) CLOSING & WITHSTAND RATINGS SHOWN ARE ONLY FOR ATS UTILITY AND/OR GENERATOR POWER SWITCHING DEVICE(S) THAT ARE NOT FACTORY SUPPLIED WITH INTEGRAL OVERCURRENT PROTECTION. PLEASE REFER TO PRODUCT INSTRUCTION MANUAL FOR FURTHER INFORMATION ON UPSTREAM PROTECTION REQUIREMENT.				
MAX. VOLTAGE	RATED CURRENT (A)	240V	480V	600V	
TS 87xA-800	600	800	65,000	50,000	35,000

CONNECTION DATA	
UTILITY (SRC1)	1-3C, 2/0-500MCM Cu/Al PER PHASE
GENERATOR (SRC2)	1-3C, 2/0-500MCM Cu/Al PER PHASE
LOAD	1-3C, 2/0-500MCM Cu/Al PER PHASE
NEUTRAL	1-3C, 2/0-500MCM Cu/Al PER SOURCE
GROUND	9C, #14-2/0 Cu/Al

- GENERAL NOTES**
- POWER SWITCHING DEVICES ARE MECHANICALLY INTERLOCKED SO THAT ONLY ONE DEVICE IS CLOSED AT A TIME
 - ENCLOSURE FINISH : ASA #61 GREY
 - REFER PROJECT SPECIFIC OPTIONS LIST FOR SELECTED ENCLOSURE TYPE

2.5" x 5"

⚠ DANGER PELIGRO

Arc Flash and Shock Hazard
Will cause severe injury or death. More than one live circuit - see diagram. Disconnect all sources of supply before servicing. This equipment must be installed and serviced only by qualified electrical personnel utilizing safe work practices and appropriate Personal Protective Equipment (PPE). Failure to comply may result in injury or death! Refer to NFPA 70E for minimum PPE requirements.

Risque d'Arc Electrique et d'Electrocution
Peut causer des blessures graves ou la mort. Plus d'un circuit sous tension - voir schéma. Couper toutes les sources d'alimentation avant de faire l'entretien et les réparations. Ce matériel doit être installé et entretenu uniquement par un électricien qualifié. Ce dernier doit connaître les pratiques de travail sécuritaires et porter l'équipement de protection individuelle approprié. Le non respect peut entraîner des blessures ou la mort! Reportez-vous à NFPA 70E pour le manuel des exigences minimales PPE.

Riesgo de Arco y Choque Eléctrico
Se causarán lesiones graves o muerte. Más de un circuito energizado - ver diagrama. Desconectar todas las fuentes de suministro antes de hacer mantenimiento. Este equipo solo se debe instalar y mantener por personal calificado, usando medidas de seguridad y equipo de protección personal adecuados. No seguir estas recomendaciones puede causar lesiones o muerte! Consulte la NFPA 70E para los requisitos mínimos del equipo de protección personal (PPE).

QTY = 1

APPROVED FOR CONSTRUCTION
 MASTER COPY REFERENCE COPY OF _____
 MULTIPLE UNIT WORK ORDER
 RELEASED FOR INFORMATION
 AUTH. BY: _____ DATE: _____

CROSS REFERENCE LEGEND	
SOC-C-1	GRID COORDINATE
	SHEET No.
DRAWING No.	REFERENCE DRAWINGS No.
REVISIONS	BY/AUTH DATE



AUTOMATIC TRANSFER SWITCH
 MODEL TS 870
 PHYSICAL LAYOUT & INSTALLATION DETAILS
 800A, 2P/3P, NEMA 1/2/12, SINGLE DOOR, STD

FOR REVIEW ONLY

DRAWINGS AND/OR OTHER TECHNICAL INFORMATION SUPPLIED BY THOMSON POWER SYSTEMS AS A PART OF A SALE OF EQUIPMENT ARE FOR THE PURCHASER'S USE SOLELY IN CONJUNCTION WITH THAT EQUIPMENT, UNLESS SPECIFICALLY AGREED TO OTHERWISE AS A PART OF THE TERMS OF SALE.	
CUSTOMER THOMSON POWER SYSTEMS	WORK ORDER No. W-XXXXXX
CUSTOMER ORDER No. C-XXXXXX	DATE 16-01-26
DRAWN BY AP	AUTH BY OG
DRAWING/FILE No. MCS870M148	REV 0
	SHEET 10A