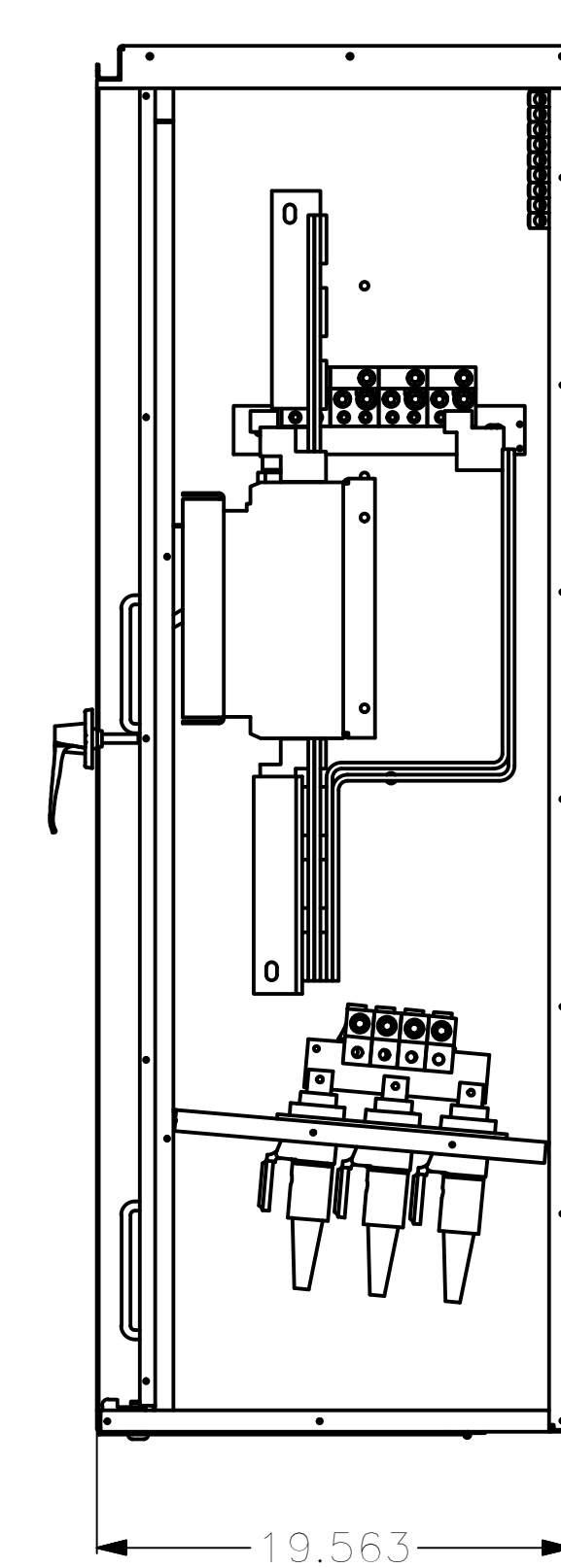
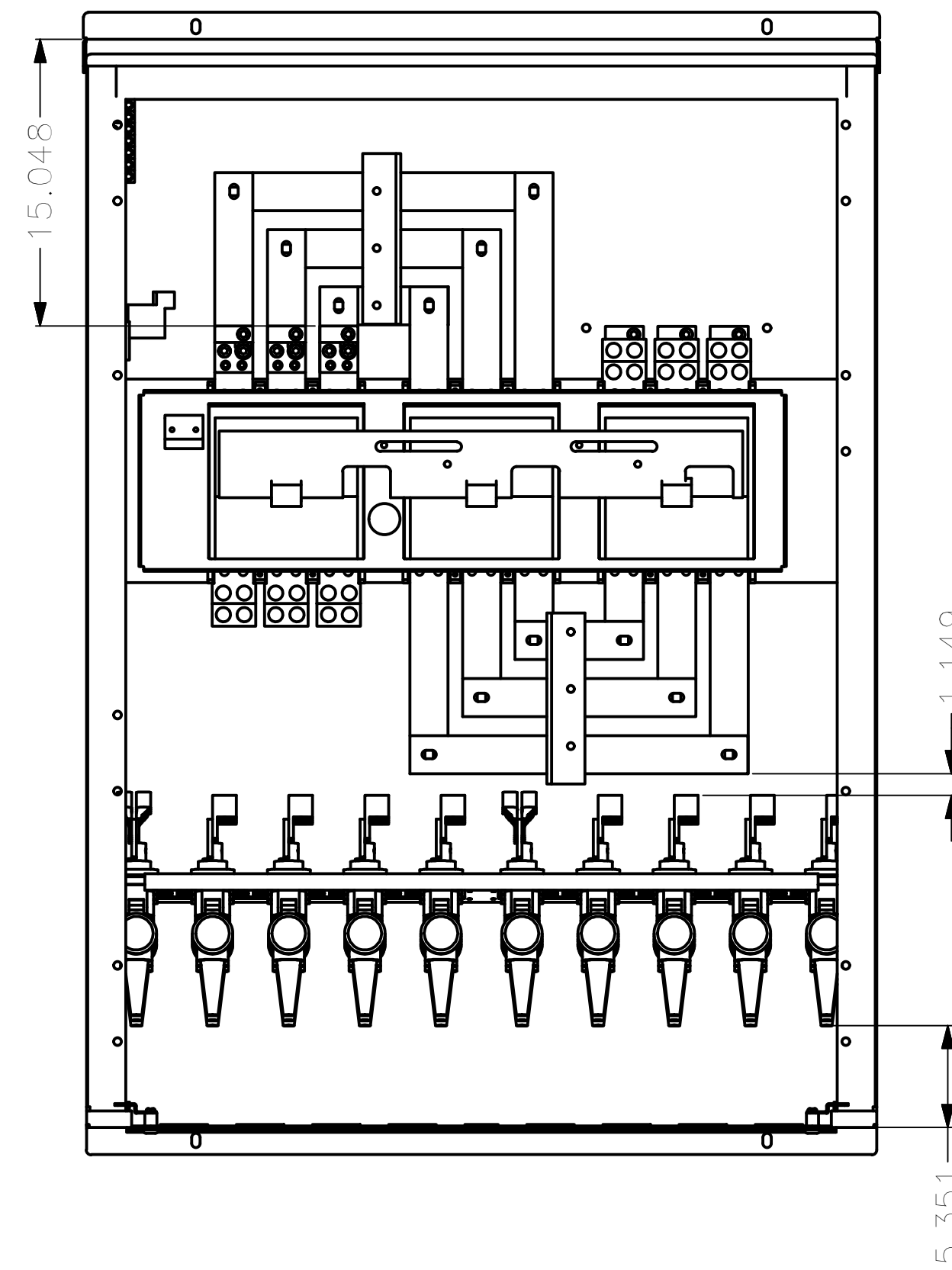
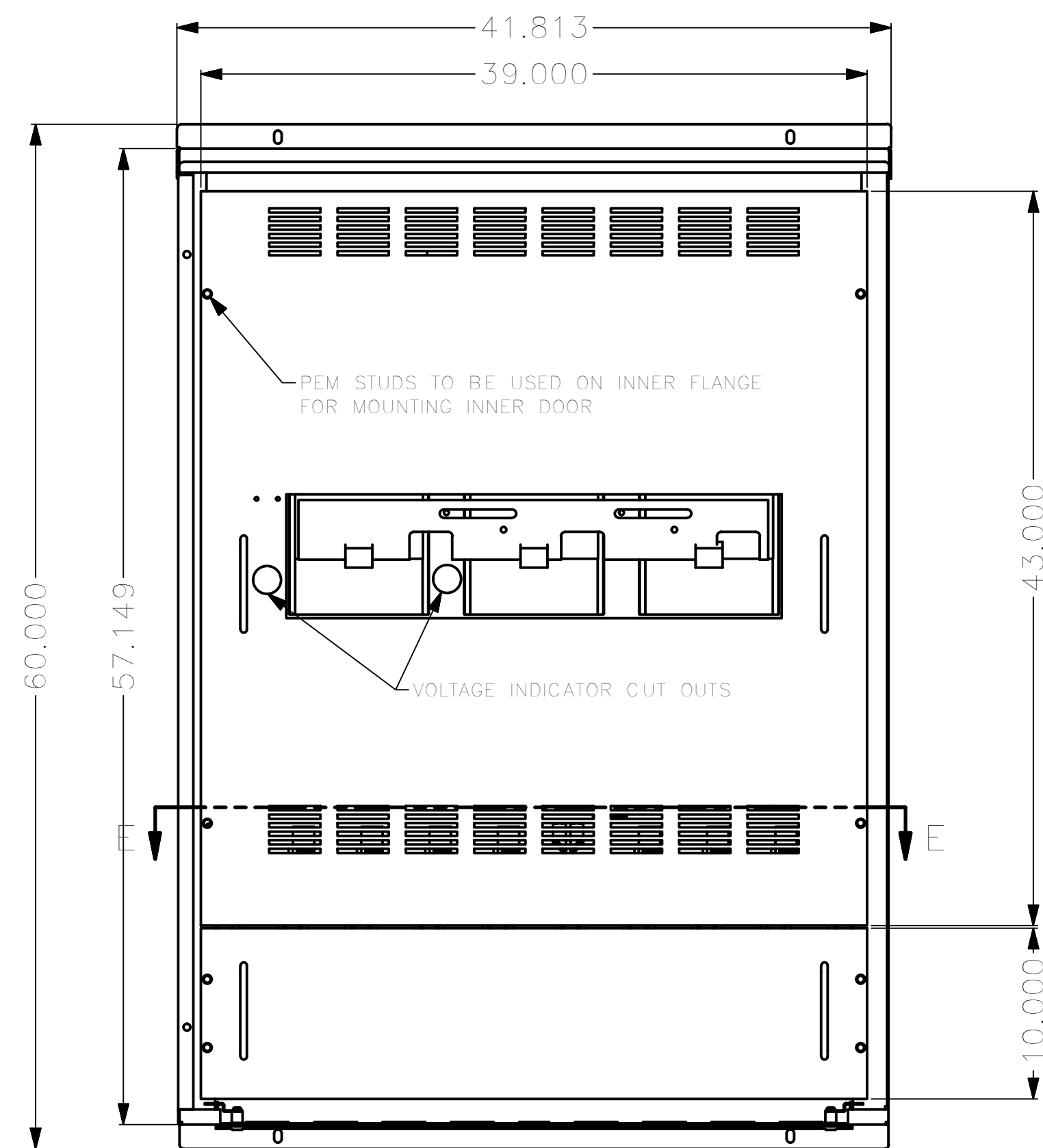
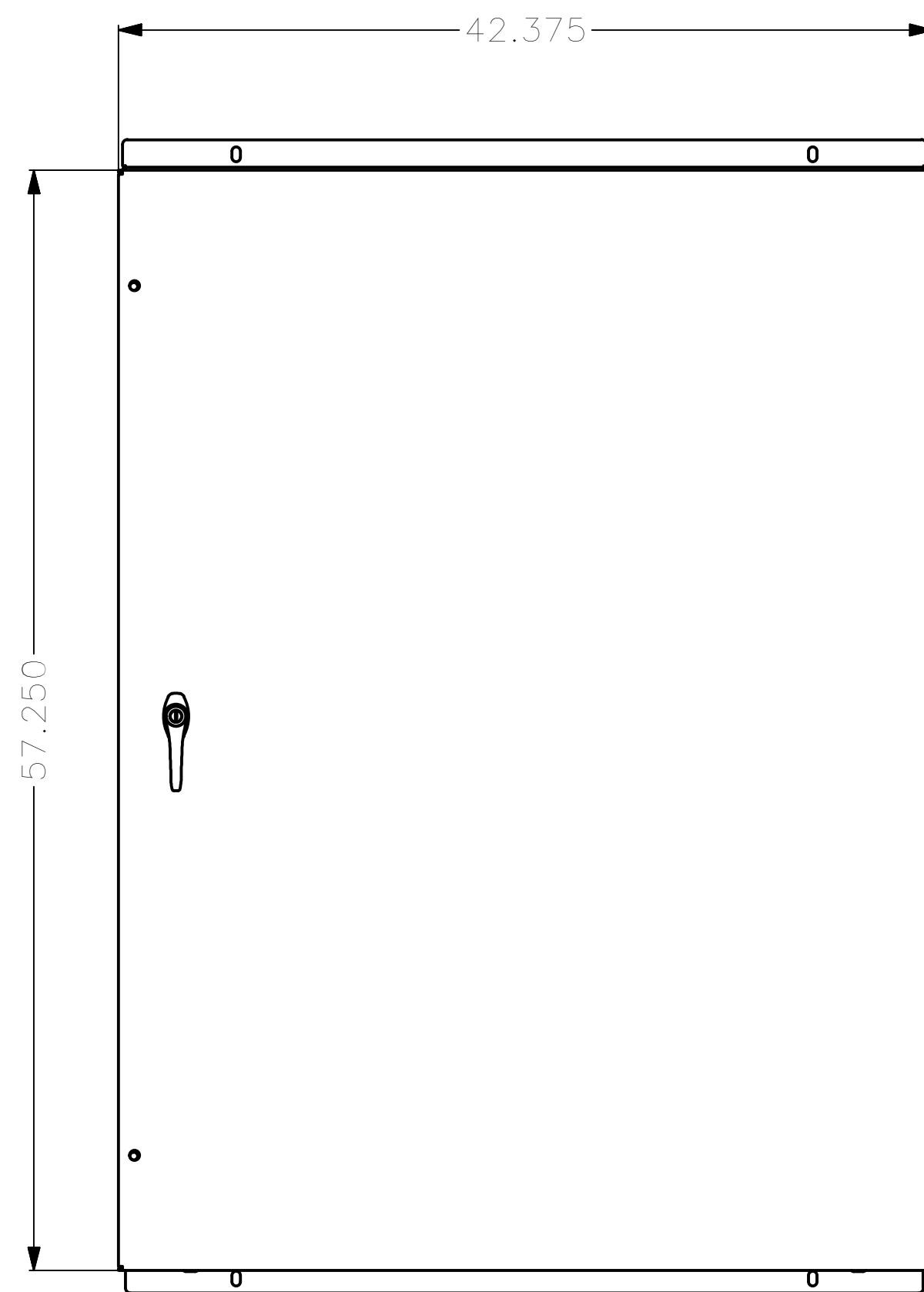
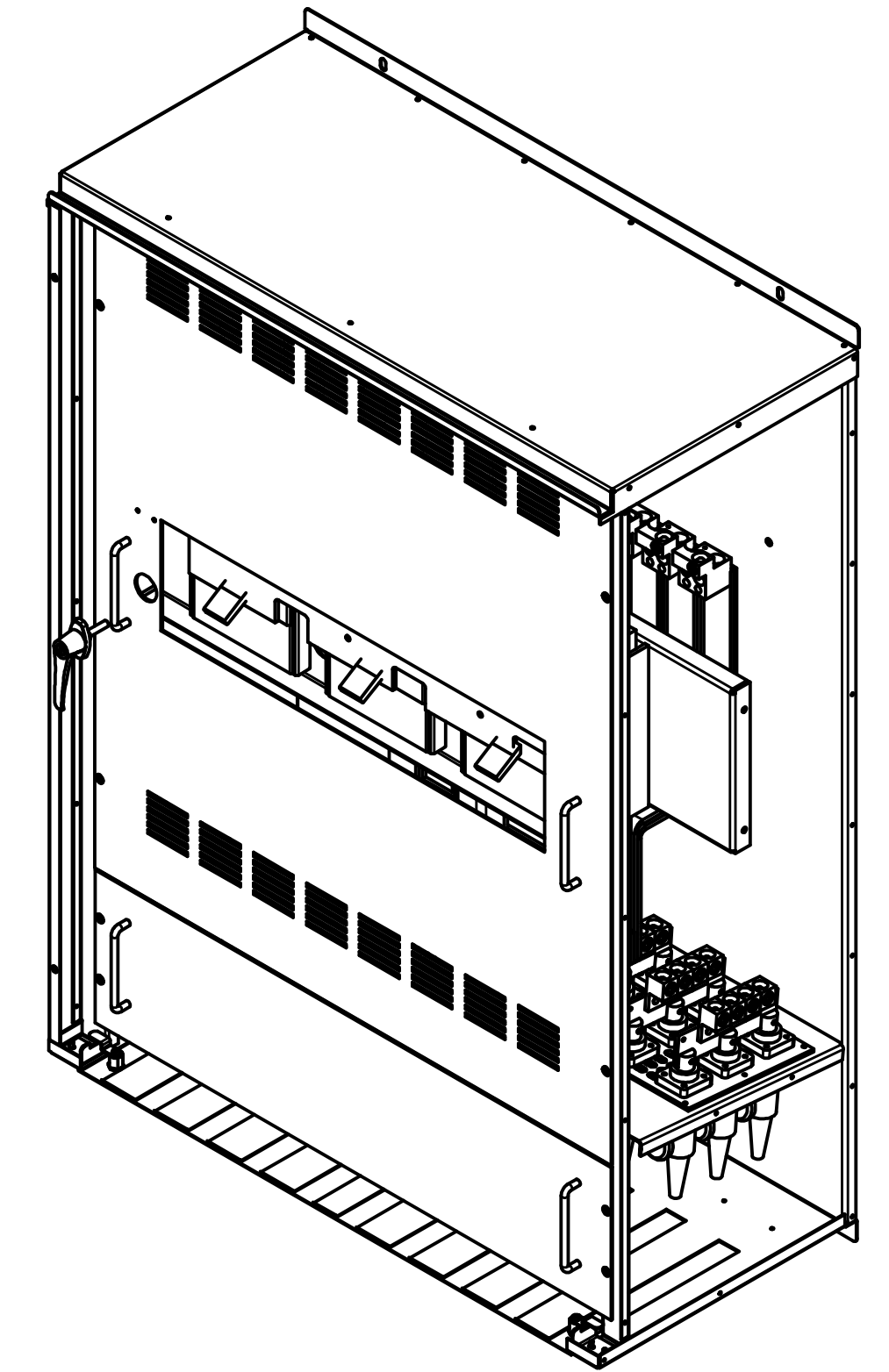
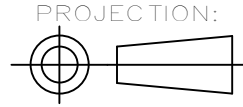
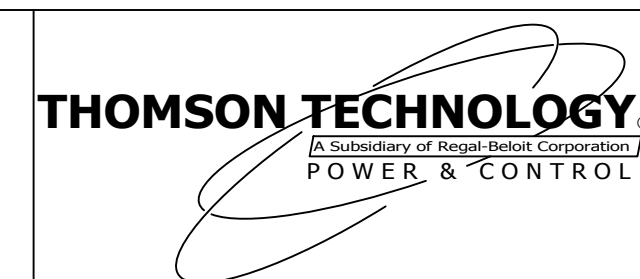


SECTION E-E



APPROVED FOR CONSTRUCTION
 MASTER COPY REFERENCE COPY OF _____
 MULTIPLE UNIT WORK ORDER
 RELEASED FOR INFORMATION
 AUTH. BY: _____ DATE: _____

DIMENSIONS IN INCHES ()=MILLIMETERS
 CAD GENERATED DRAWING, DO NOT CHANGE MANUALLY.
 THIRD ANGLE PROJECTION:

 DO NOT SCALE DRAWING
 TOLERANCES (EXCEPT AS NOTED):
 BENDING: NA ANGLES: +/- 1.0 deg
 HOLE POSITION: NA EDGE: +/- 0.050"
 HOLE SIZE: NA



ENCLOSURE

NEMA 3R

PART ID/ WORK ORDER NUMBER			
W-098469			
DRAWN BY	AUTH BY	DATE CREATED	REV
AR		10/17/2017	0
DRAWING/FILE No.			SHEET
003D011			5 of 5