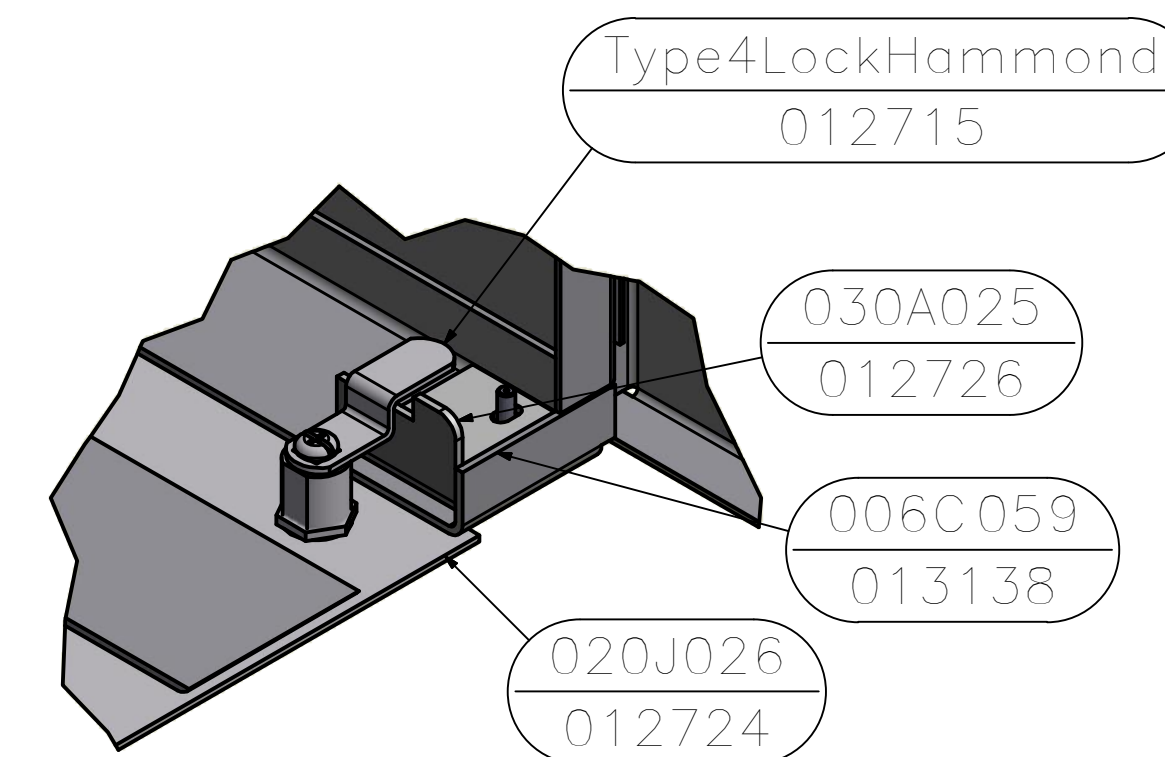


Parts List				
PID	PART NUMBER	DESCRIPTION	MATERIAL	QTY
008229	005C033	TS850S, TOP PLATE NEMA 3R, 100-200A	14 Ga, Steel	1
008233	020D140	TS850S, DOOR, 150A	14 Ga, Steel	1
013135	011D086	SPI, MOD BACK PLATE, 100-200A	12 Ga Galv	1
008231	001E075	TS850S,RS PLATE NEMA 3R,100-200A	14 Ga, Steel	1
008230	001E074	TS850S,LS PLATE NEMA 3R, 100-200A	14 Ga, Steel	1
013138	006C059	STORM READY, BOT PLATE, SPI	14 Ga, Steel	1
013136	023D037	STORM READY, 1200A, ACCES COVER	12 Ga, AL	1
013137	009C050	SPI, SHELF, 150A	12 Ga, Steel	1
012724	020J026	STORM READY, DOOR, CAMLOCKS	12 Ga, AL	1
013132	024C058	800A, SPI PLATE	3/16" AL	1
012726	030A025	3-PNT LATCH ANGLE CLIP	12 Ga, Steel	1
012725	030A024	3-PNT LATCH ANGLE CLIP	12 Ga, Steel	1
013139	030A027	PHASE ROTATOR MOUNTING BKT	12 Ga, Steel	1
002795	DIN Rail - 3in	MTG-RAIL, TYPE-35, SLOTTED		1
013047	400A-HBL-MALE-BLK	400A-HUBBELL-MALE-BLACK		2
013048	400A-HBL-MALE-RED	400A-HUBBELL-MALE-RED		2
013049	400A-HBL-MALE-BLU	400A-HUBBELL-MALE-BLUE		2
013050	400A-HBL-MALE-WHT	400A-HUBBELL-MALE-WHITE		2
013051	400A-HBL-MALE-GRN	400A-HUBBELL-MALE-GREEN		2
013052	400A-HBL-COVER-BLK	400A-HBL-COVER-BLK		2
013053	400A-HBL-COVER-RED	400A-HBL-COVER-RED		2
013054	400A-HBL-COVER-BLU	400A-HBL-COVER-BLU		2
013055	400A-HBL-COVER-WHT	400A-HBL-COVER-WHT		2
013056	400A-HBL-COVER-GRN	400A-HBL-COVER-GRN		2
013057	400A-HBL-FEMALE-BLU	400A-HBL-FEMALE-BLU		2
013058	400A-HBL-FEMALE-BLK	400A-HBL-FEMALE-BLK		2
013059	400A-HBL-FEMALE-RED	400A-HBL-FEMALE-RED		2
013060	400A-HBL-FEMALE-WHT	400A-HBL-FEMALE-WHT		2
013061	400A-HBL-FEMALE-GRN	400A-HBL-FEMALE-GRN		2
001033	ADR35	LUG, SCREW TYPE, 1c #6-350mcm		15
000796	KEYED DOOR T HANDLE	KEYED DOOR T HANDLE		1
013219	070E041	BUSBAR, 0.25" X 2.00"	TP Copper	5
012715	Type4LockHammond	Lock, Type 4, Hammond		2
001861	TERMINAL	TERM. BLK, RAIL MNT, 40A, 600V, WK4/U,		2
001872	TERMINAL END PLATE	TERM. BLK, ENDPLATE, WK 2.5-4/U,		1
009677	TERMINAL END CLAMP	TERMINAL END CLAMP		2
000797	030G014	HANDLE, 3PNT-LATCH, CAM, C/W-CIRCLIPS		1



DETAIL A

NOTE:  
FINISH: ASA#61 GRAY POWDER COAT

APPROVED FOR CONSTRUCTION  
 MASTER COPY  REFERENCE COPY OF \_\_\_\_\_  
 MULTIPLE UNIT WORK ORDER  
 RELEASED FOR INFORMATION  
 AUTH. BY: \_\_\_\_\_ DATE: \_\_\_\_\_

DIMENSIONS IN INCHES( )=MILLIMETERS  
 CAD GENERATED DRAWING, DO NOT CHANGE MANUALLY.  
 THIRD ANGLE PROJECTION:  
 DO NOT SCALE DRAWING  
 TOLERANCES (EXCEPT AS NOTED):  
 BENDING: NA ANGLES: +/- 1.0 deg  
 HOLE POSITION: NA EDGE: +/- 0.050"  
 HOLE SIZE: NA

1	ADDED TERMINAL BLOCKS	15-02-04	DJ
---	-----------------------	----------	----



SPI, ENCLOSURE, 600-800A  
 34H22W12D  
 NEMA 1 OR 3R

PART ID/ WORK ORDER NUMBER QCP-0800-A			
DRAWN BY DJ	AUTH BY JR	DATE CREATED 15-01-07	REV 1
DRAWING/FILE No. 003C019			SHEET 1 of 1