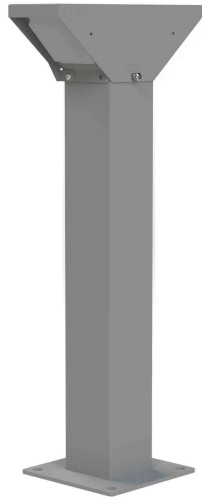


Foxfab Power Pedestals

FFPP-E1D Series



The FFPP-E1D Series Power Pedestals provide an economical solution to suit many applications such as parking lot, RV park and utility power. These units come with an angled receptacle arrangement and an optional breakaway base. Enclosures are available in steel, aluminum or stainless steel.

Standard Features/Specifications

- Weatherproof Type 3R Enclosure
- Steel Construction with ANSI 61 Grey Powder Coat Finish
- Floor-Mount Design
- 30" Tall Standard Height
- Dual Sided Pedestal
- Base Plate
- Ground Lug
- Replaceable Head
- Angled Receptacles at 45 degrees
- ETL Certified Assembly

Options

- Hidden Base
- Breakaway Baseplate
- GFI Receptacles
- Weatherproof Receptacle Covers
- 10 KAIC Standard Mini-Breakers
- Custom Powder Coat Finishes

Rev 0.1

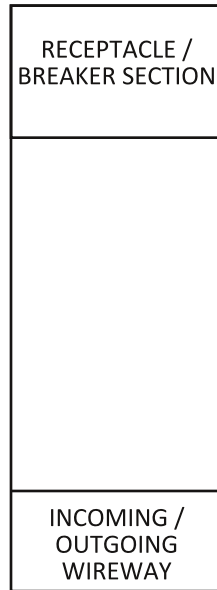
Foxfab Power Pedestals

FFPP-E1D Series

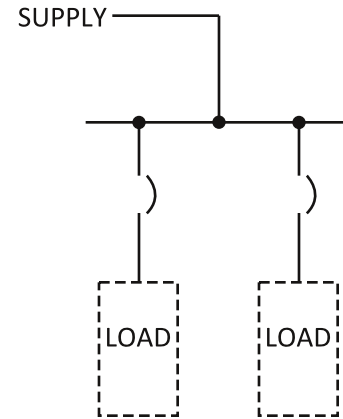


Panel Layouts

FRONT/BACK LAYOUT:



One-Line Diagram



Typical Configurations

PART NO.	RECEPTACLES	BREAKER	DIMENSIONS		
			H (")	W (")	D (")
FFPP-E1D-1	2 x 15A Duplex	2 x 15A 1P	30	4	4
FFPP-E1D-2	2 x 20A Duplex	2 x 20A 1P	30	4	4