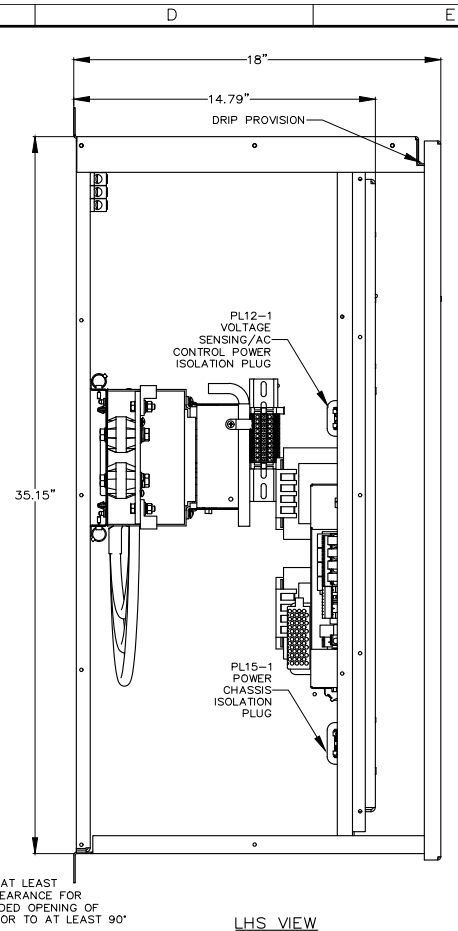
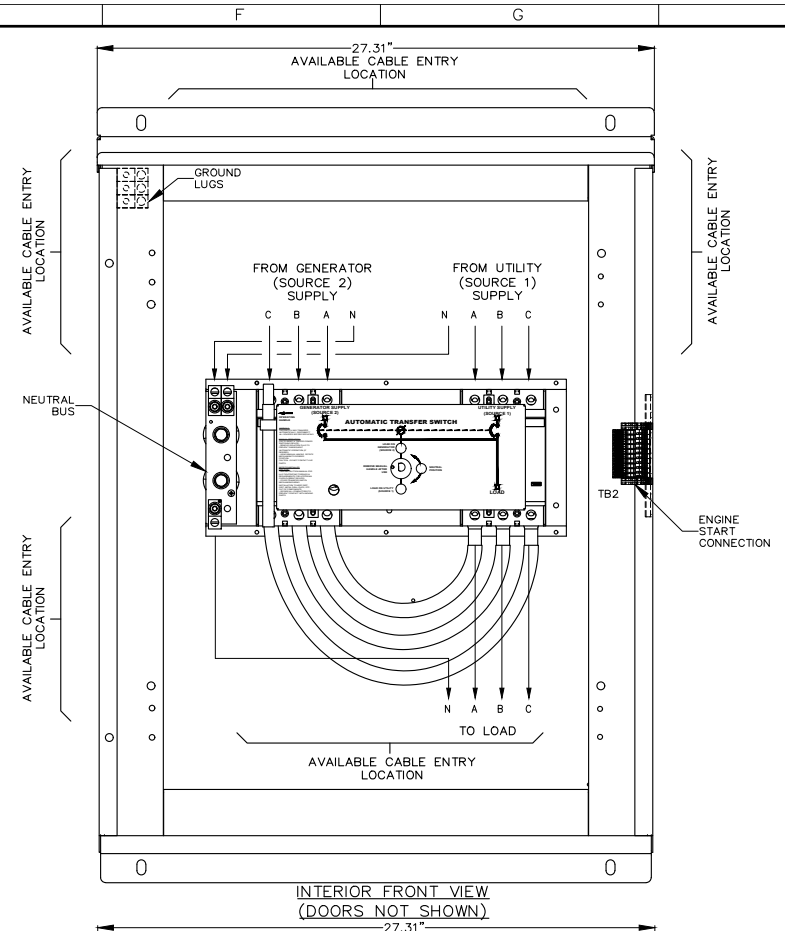


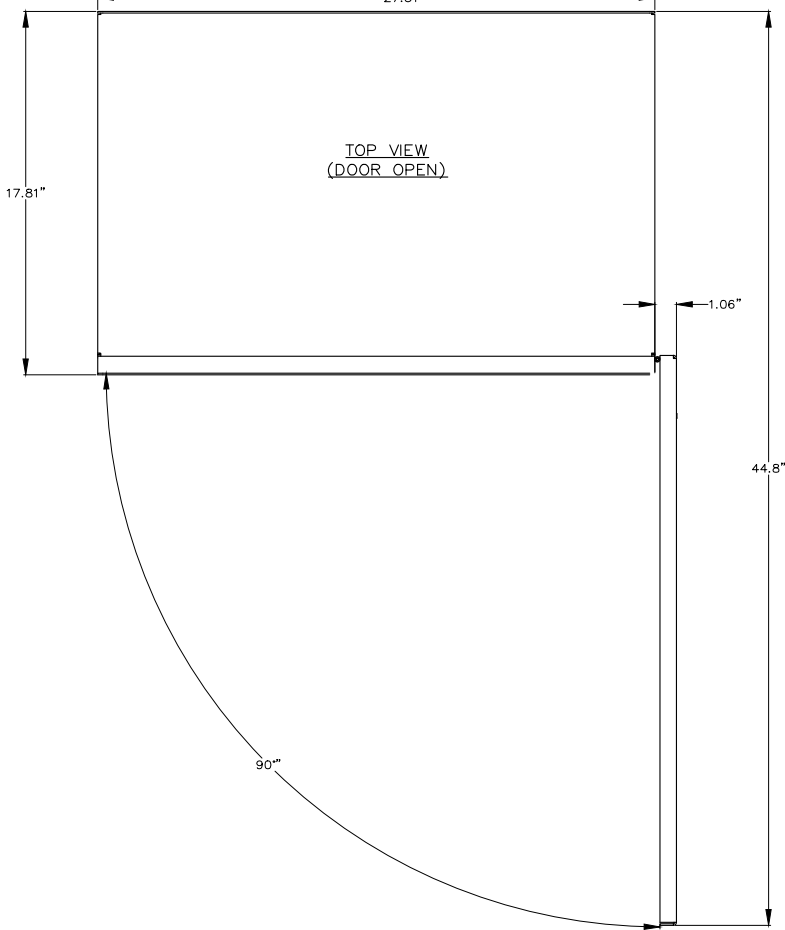
FRONT VIEW
(OUTER DOOR REMOVED)



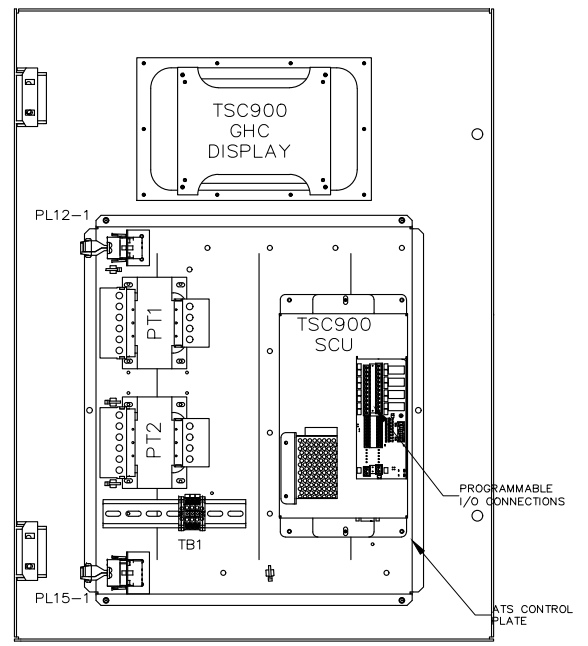
LHS VIEW
(SIDE COVER REMOVED)



INTERIOR FRONT VIEW
(DOORS NOT SHOWN)



TOP VIEW
(DOOR OPEN)



VIEWED FROM REAR
(INSIDE OF INNER DOOR)

BASIC MODEL TS87xA	STANDARD ATS				
	MAX. VOLTAGE	RATED CURRENT (A)	Ø240V	Ø480V	Ø600V
TS 87xA-100	600	100	65,000	25,000	18,000
TS 87xA-150	600	150	65,000	25,000	18,000
TS 87xA-200	240	200	65,000	N/A	N/A

100A ATS	CONNECTION DATA	
	UTILITY (SRC1) PHASE	1C, #14-1/0 Cu/AI PER PHASE
150A ATS	GENERATOR (SRC2) PHASE	1C, #14-1/0 Cu/AI PER PHASE
	LOAD PHASE	1C, #14-1/0 Cu/AI PER PHASE
	NEUTRAL SOURCE	1C, #14-2/0 Cu/AI PER SOURCE
	GROUND	3C, #14-2/0 Cu/AI
200A ATS	UTILITY (SRC1) PHASE	1C, #6-350MCM Cu/AI PER PHASE
	GENERATOR (SRC2) PHASE	1C, #6-350MCM Cu/AI PER PHASE
	LOAD PHASE	1C, #6-350MCM Cu/AI PER PHASE
	NEUTRAL SOURCE	1C, #6-350MCM Cu/AI PER SOURCE
	GROUND	3C, #14-2/0 Cu/AI

GENERAL NOTES	
1	POWER SWITCHING DEVICES ARE MECHANICALLY INTERLOCKED SO THAT ONLY ONE DEVICE IS CLOSED AT A TIME
2	ENCLOSURE FINISH : ASA #61 GREY
3	REFER PROJECT SPECIFIC OPTIONS LIST FOR SELECTED ENCLOSURE TYPE

2.5" x 5"

⚠ DANGER PELIGRO

Arc Flash and Shock Hazard
Will cause severe injury or death. More than one live circuit - see diagram. Disconnect all sources of supply before servicing. This equipment must be installed and serviced only by qualified electrical personnel utilizing safe work practices and appropriate Personal Protective Equipment (PPE). Failure to comply may result in injury or death! Refer to NFPA 70E for minimum PPE requirements.

Risque d'Arc Électrique et d'Électrocution
Peut causer des blessures graves ou la mort. Plus d'un circuit sous tension - voir schéma. Couper toutes les sources d'alimentation avant de faire l'entretien et les réparations. Ce matériel doit être installé et entretenu uniquement par un électricien qualifié. Ce dernier doit connaître les pratiques de travail sécuritaires et porter l'équipement de protection individuelle approprié. Le non respect peut entraîner des blessures ou la mort! Reportez-vous à NFPA 70E pour le manuel des exigences minimales PPE.

Riesgo de Arco y Choque Eléctrico
Se causarán lesiones graves o muerte. Más de un circuito energizado - ver diagrama. Desconectar todas las fuentes de suministro antes de hacer mantenimiento. Este equipo solo se debe instalar y mantener por personal calificado, usando medidas de seguridad y equipo de protección personal adecuados. No seguir estas recomendaciones puede causar lesiones o muerte. Consulte la NFPA 70E para los requisitos mínimos del equipo de protección personal (PPE).

QTY = 1

APPROVED FOR CONSTRUCTION
 MASTER COPY REFERENCE COPY OF _____
 MULTIPLE UNIT WORK ORDER
 RELEASED FOR INFORMATION
 AUTH. BY: _____ DATE: _____

CROSS REFERENCE LEGEND
 SOC-C-1
 GRID COORDINATE
 SHEET No. _____

DRAWING No.	REFERENCE DRAWINGS	No.	REVISIONS	BY/AUTH	DATE



AUTOMATIC TRANSFER SWITCH
 MODEL TS 870
 PHYSICAL LAYOUT & INSTALLATION DETAILS
 100-200A, 2P/3P, NEMA 3R, DOUBLE DOOR, STD

DRAWINGS AND/OR OTHER TECHNICAL INFORMATION SUPPLIED BY THOMSON POWER SYSTEMS AS A PART OF A SALE OF EQUIPMENT ARE FOR THE PURCHASER'S USE SOLELY IN CONJUNCTION WITH THAT EQUIPMENT, UNLESS SPECIFICALLY AGREED TO OTHERWISE AS A PART OF THE TERMS OF SALE.

CUSTOMER THOMSON POWER SYSTEMS	
CUSTOMER ORDER No.	WORK ORDER No.
C-XXXXXX	W-XXXXXX
DRAWN BY AP	AUTH BY OG
DATE 16-01-26	REV 0
DRAWING/FILE No. MCS870M102	SHEET 10A