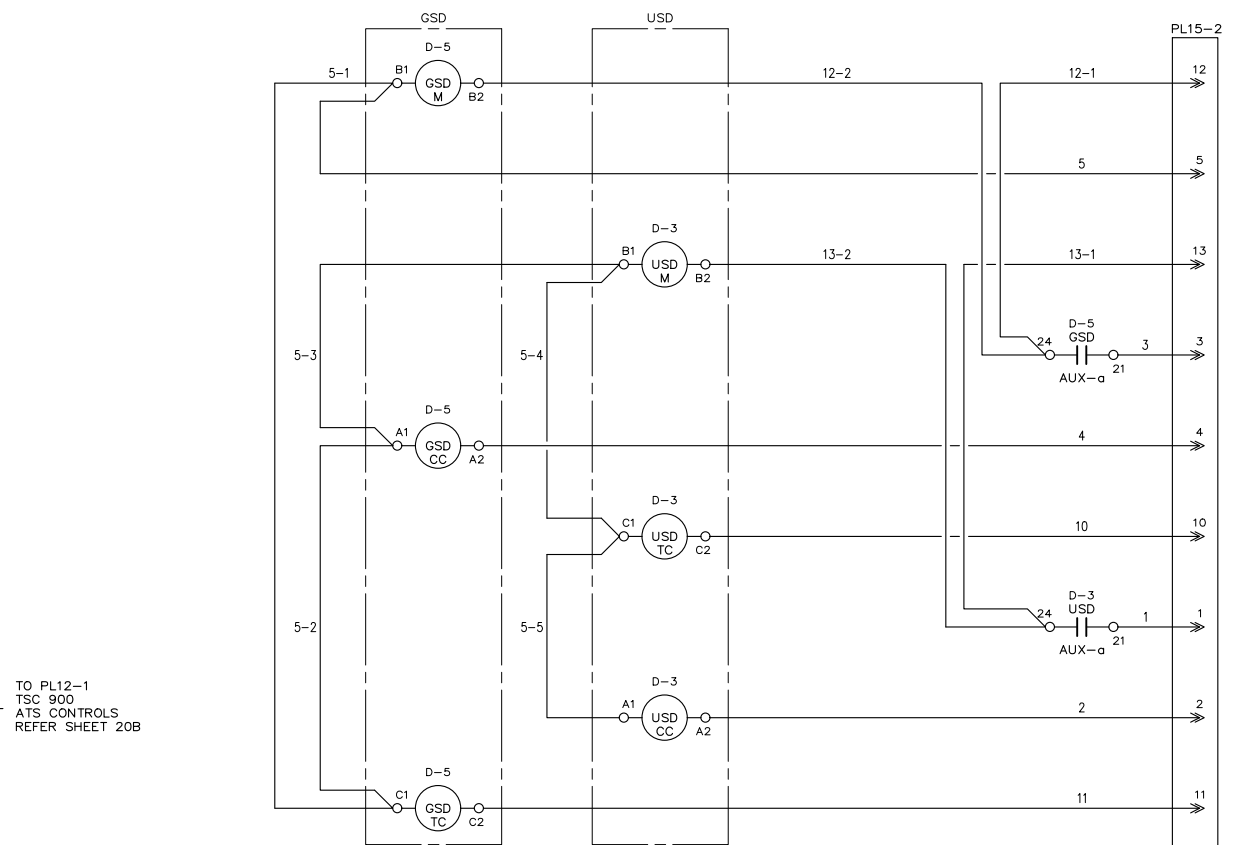
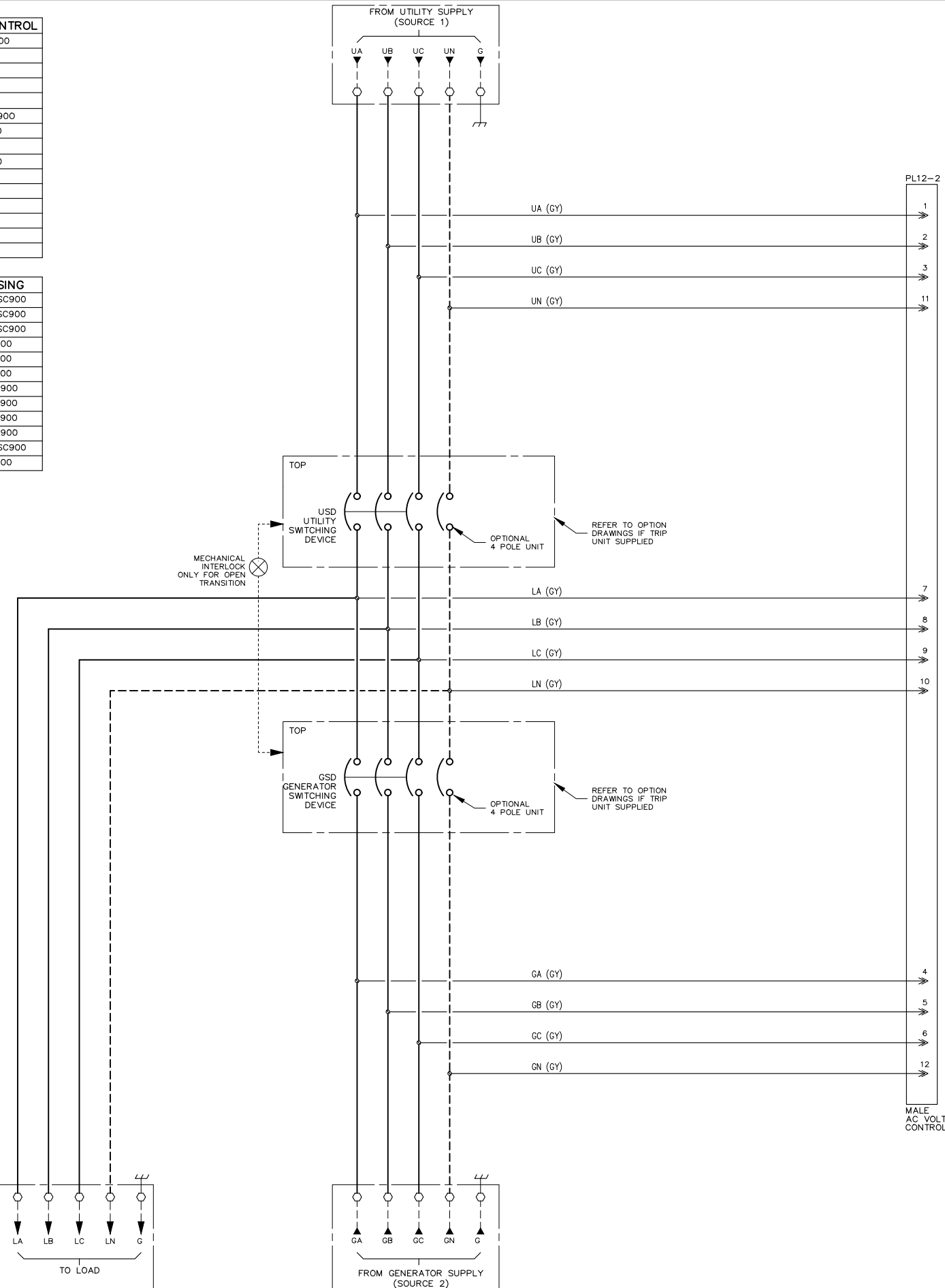


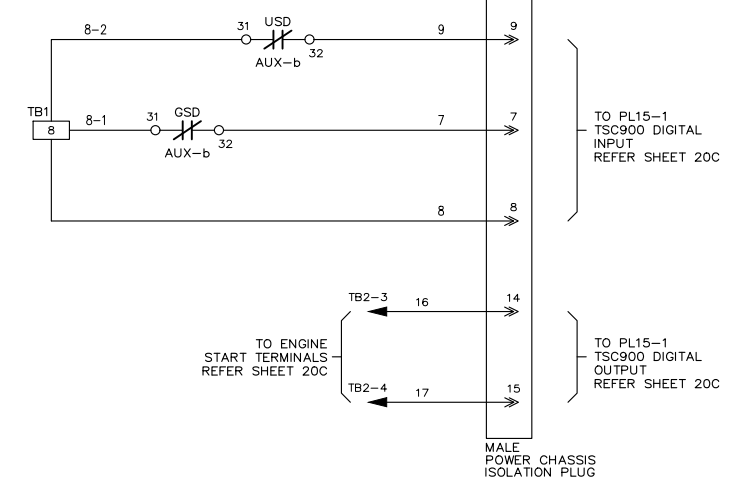
PL15#	DESCRIPTION OF CONTROL
1	LOAD ON UTILITY TO TSC900
2	CLOSE USD FROM TSC900
3	LOAD ON GEN TO TSC900
4	CLOSE GSD FROM TSC900
5	AC COMMON (GRD)
6	GSD & USD OPEN TO TSC900
7	GSD OPEN AUX TO TSC900
8	DC COMMON (GRD)
9	USD OPEN AUX TO TSC900
10	OPEN USD FROM TSC900
11	OPEN GSD FROM TSC900
12	GEN 120VAC POWER
13	UTILITY 120VAC POWER
14	ENGINE START OUTPUT
15	ENGINE START OUTPUT

PL12#	AC VOLTAGE SENSING
1	φA UTILITY VOLTAGE TO TSC900
2	φB UTILITY VOLTAGE TO TSC900
3	φC UTILITY VOLTAGE TO TSC900
4	φA GEN VOLTAGE TO TSC900
5	φB GEN VOLTAGE TO TSC900
6	φC GEN VOLTAGE TO TSC900
7	φA LOAD VOLTAGE TO TSC900
8	φB LOAD VOLTAGE TO TSC900
9	φC LOAD VOLTAGE TO TSC900
10	φN LOAD VOLTAGE TO TSC900
11	φN UTILITY VOLTAGE TO TSC900
12	φN GEN VOLTAGE TO TSC900



COLOR KEY	
BK	BLACK
BE	BLUE
BN	BROWN
GN	GREEN
GY	GREY
OR	ORANGE
PE	PURPLE
R	RED
W	WHITE
Y	YELLOW
V	VIOLET

GENERAL NOTES	
1	COLOR CODE: ALL WIRING IS GREY UNLESS NOTED. SAFETY GROUND WIRES ARE GREEN
2	VOLTAGE SENSING WIRE HARNESS PART ID : 013704
3	POWER CHASSIS WIRE HARNESS PART ID : 013705



APPROVED FOR CONSTRUCTION
 MASTER COPY REFERENCE COPY OF _____
 MULTIPLE UNIT WORK ORDER
 RELEASED FOR INFORMATION
 AUTH. BY: _____ DATE: _____

CROSS REFERENCE LEGEND
 50C-C-1
 GRID COORDINATE
 SHEET No. _____

DRAWING No.	REFERENCE DRAWINGS	No.	REVISIONS	BY	AUTH	DATE
1	WIRE HARNESS UPDATED AS PER ECR-0114744			AP	OG	16-07-22



AUTOMATIC TRANSFER SWITCH
 MODEL TS 880
 ICS AC SCHEMATIC, FIXED, STD
 800 - 4000A

FOR REVIEW ONLY

DRAWINGS AND/OR OTHER TECHNICAL INFORMATION SUPPLIED BY THOMSON POWER SYSTEMS AS A PART OF A SALE OF EQUIPMENT ARE FOR THE PURCHASER'S USE SOLELY IN CONJUNCTION WITH THAT EQUIPMENT, UNLESS SPECIFICALLY AGREED TO OTHERWISE AS A PART OF THE TERMS OF SALE.			
CUSTOMER THOMSON POWER SYSTEMS			
CUSTOMER ORDER No. C-XXXXXX	WORK ORDER No. W-XXXXXX		
DRAWN BY AP	AUTH BY OG	DATE 16-01-26	REV 1
DRAWING/FILE No. ICS880E100		SHEET 20A	