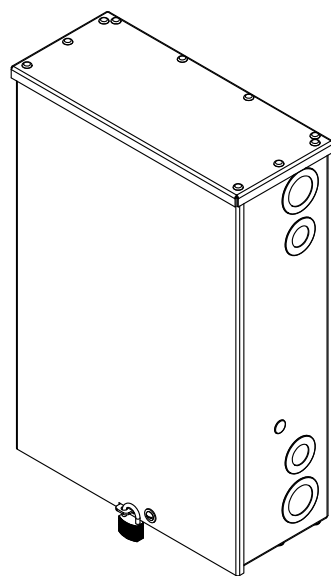


NEMA 1



W/ NEMA3R OPTION

2.5" x 5" W1

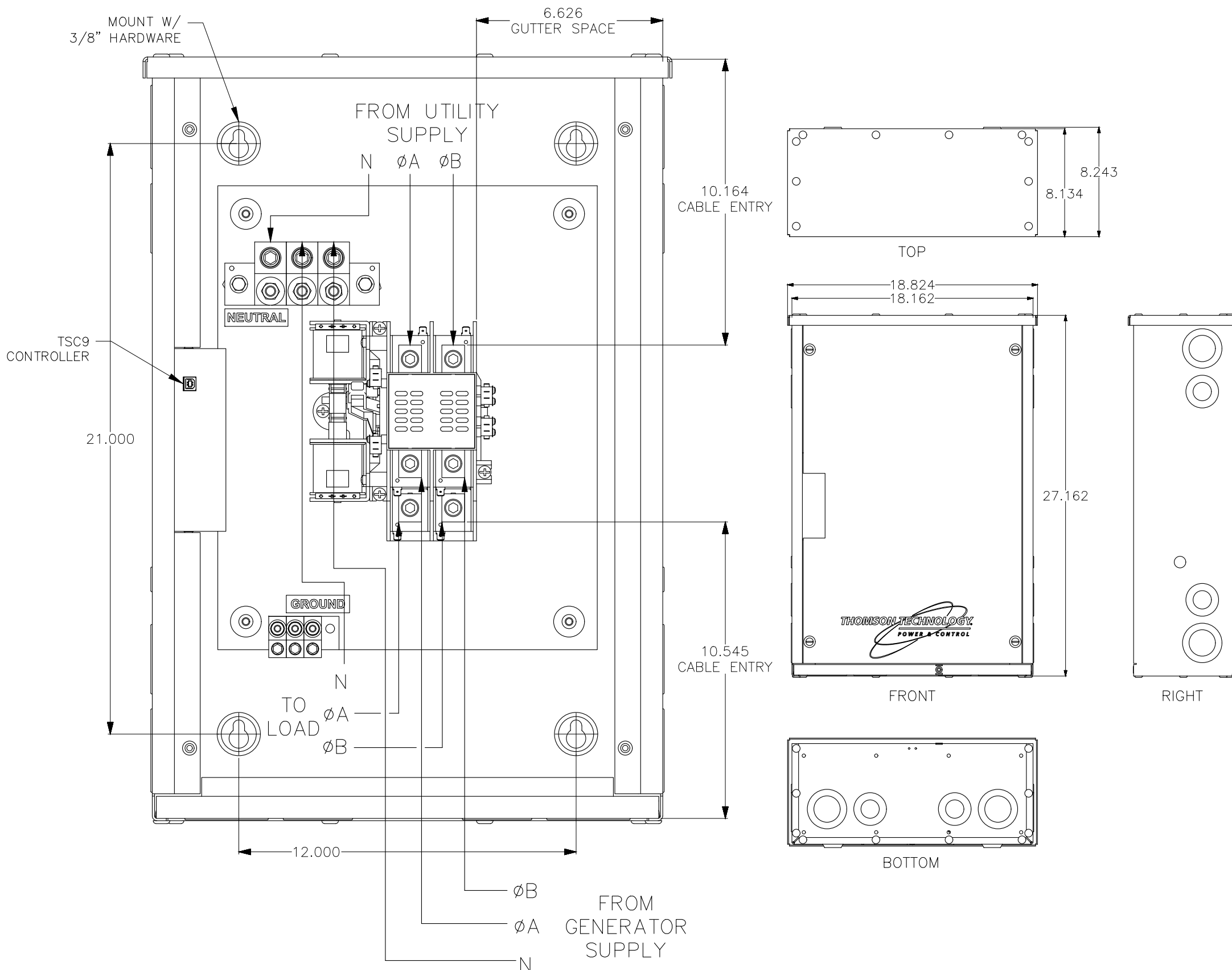
⚠ DANGER PELIGRO

Arc Flash and Shock Hazard

Risque d'Arc Electrique et d'Electrocution

Riesgo de Arco y Choque Electrico

- NOTES:
- 1) STANDARD CONFIGURATION SHOWN
 - 2) BOTTOM & SIDE CABLE ACCESS, MAX 250MCM
 - 3) TOP CABLE ACCESS, MAX 3/0
 - 4) CONDUIT KNOCKOUTS; 1", 1.5", 2", 2.5"



TRANSFER SWITCH OPTIONS

ENCLOSURE TYPE

- NEMA 1
NEMA 3R

ENCLOSURE MATERIAL

- ALUMINUM

APPLICATION

- STANDARD

SIZE (AMPS)

- 200A

- 2 POLE

- SOLID NEUTRAL

⚠ POWER SWITCHING DEVICES ARE MECHANICALLY INTERLOCKED SO THAT ONLY ONE DEVICE IS CLOSED AT A TIME.

⚠ FOR TRANSFER SWITCH OPTIONS SEE SCHEMATIC DIAGRAM.

CONNECTION DATA

200A ATS:
UTILITY: 1C #6-250MCM Cu/Al PER PHASE
GEN: 1C #6-250MCM Cu/Al PER PHASE
LOAD: 1C #6-250MCM Cu/Al PER PHASE
NEUTRAL 1C #6-250MCM Cu/Al PER SOURCE
GROUND: 1C #14-2/0 Cu/Al.

SPECIAL REQUIREMENTS

APPROVED FOR CONSTRUCTION. DRAWINGS SUBJECT TO CHANGE WITHOUT NOTICE.

DRAWINGS AND/OR OTHER TECHNICAL INFORMATION SUPPLIED BY THOMSON POWER SYSTEMS AS A PART OF A SALE OF EQUIPMENT ARE FOR THE PURCHASER'S USE SOLELY IN CONJUNCTION WITH THAT EQUIPMENT, UNLESS SPECIFICALLY AGREED TO OTHERWISE AS A PART OF THE TERMS OF SALE.

APPROVED FOR CONSTRUCTION
 MASTER COPY REFERENCE COPY OF _____
 MULTIPLE UNIT WORK ORDER
 RELEASED FOR INFORMATION
 AUTH. BY: OG DATE: 12-10-03

DRAWING No.	REFERENCE DRAWINGS	No.	REVISIONS	SR	OG	16-06-07	BY	AUTH	DATE
		1	LOGO CHANGED						



AUTOMATIC TRANSFER SWITCH
MODEL TS 910
PHYSICAL LAYOUT & INSTALLATION DETAILS
(TYPICAL)

CUSTOMER			
CUSTOMER ORDER No.	WORK ORDER No.		
DRAWN BY TL	AUTH BY OG	DATE 12-10-03	REV 0
DRAWING/FILE No. 910M003			SHEET 1/1