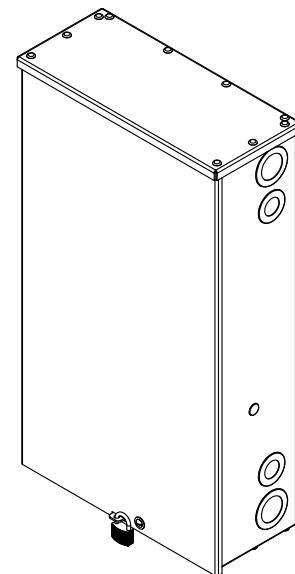
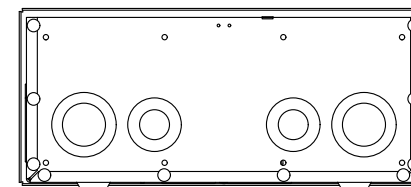
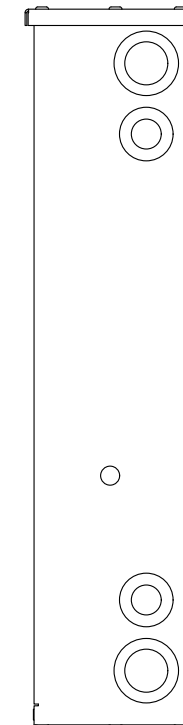
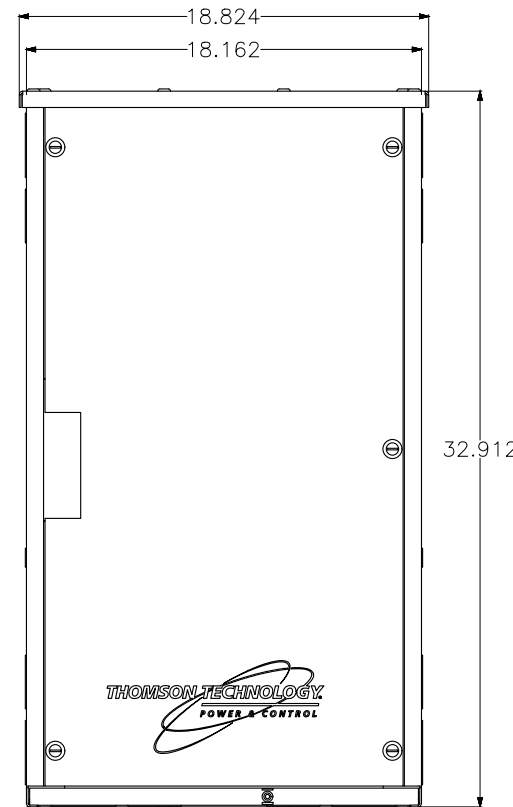
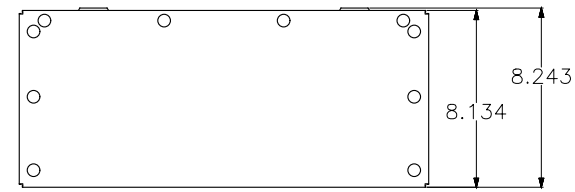
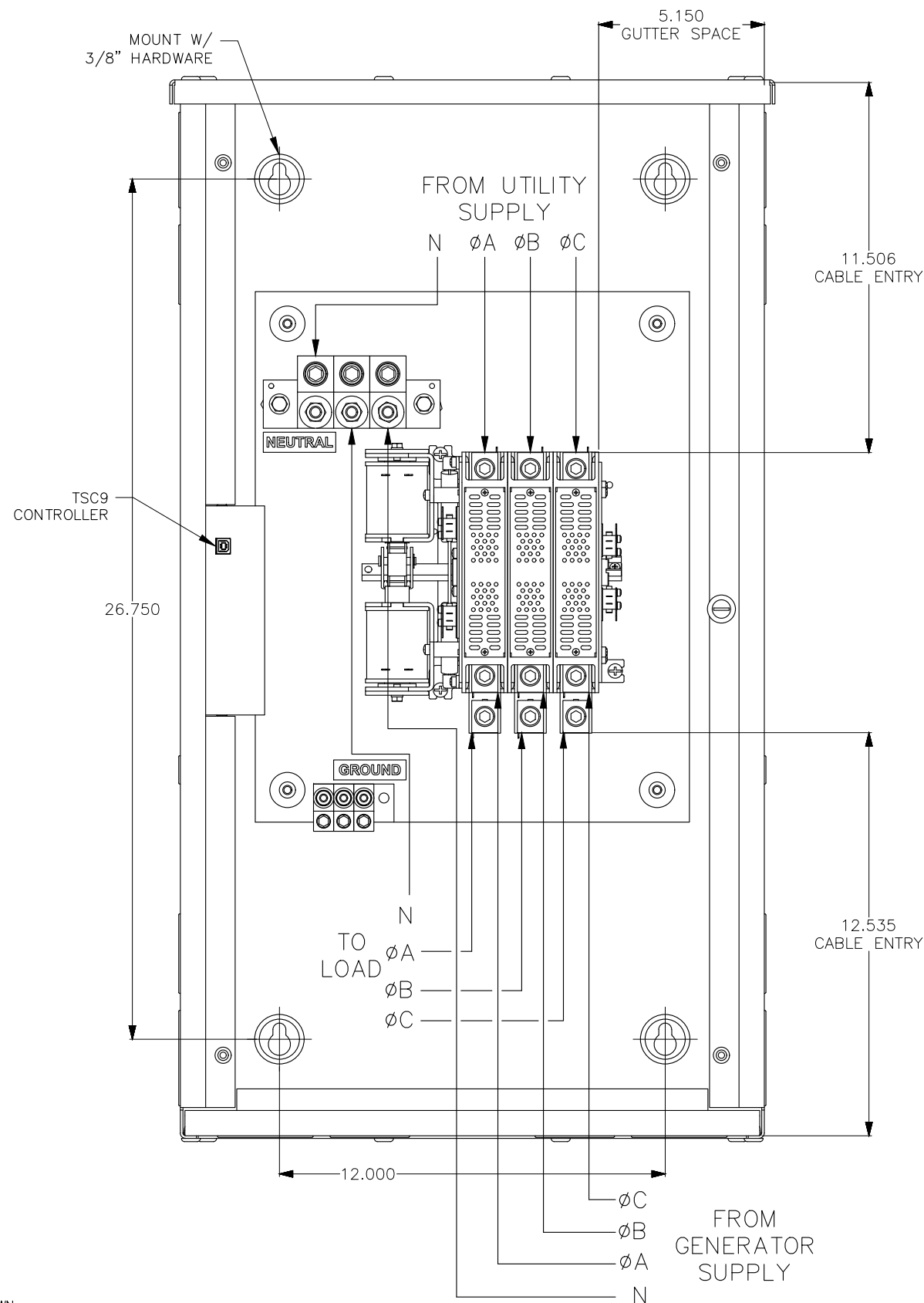


NEMA 1



W/ NEMA3R OPTION



TRANSFER SWITCH OPTIONS

ENCLOSURE TYPE

- NEMA 1
- NEMA 3R

ENCLOSURE MATERIAL

- ALUMINUM

APPLICATION

- STANDARD

SIZE (AMPS)

- 200A

- 3 POLE

- SOLID NEUTRAL

▽ POWER SWITCHING DEVICES ARE MECHANICALLY INTERLOCKED SO THAT ONLY ONE DEVICE IS CLOSED AT A TIME.  
▽ FOR TRANSFER SWITCH OPTIONS SEE SCHEMATIC DIAGRAM.

CONNECTION DATA

200A ATS:  
UTILITY: 1C #6-250MCM Cu/Al PER PHASE  
GEN: 1C #6-250MCM Cu/Al PER PHASE  
LOAD: 1C #6-250MCM Cu/Al PER PHASE  
NEUTRAL: 1C #6-250MCM Cu/Al PER SOURCE  
GROUND: 1C #14-2/0 Cu/Al.

SPECIAL REQUIREMENTS

2.5" x 5" W1

**⚠ DANGER PELIGRO**

Arc Flash and Shock Hazard

Risque d'Arc Electrique et d'Electrocution

Riesgo de Arco y Choque Electrico

- NOTES:  
1) STANDARD CONFIGURATION SHOWN  
2) BOTTOM & SIDE CABLE ACCESS, MAX 250MCM  
3) TOP CABLE ACCESS, MAX 3/0  
4) CONDUIT KNOCKOUTS; 1", 1.5", 2", 2.5"

APPROVED FOR CONSTRUCTION. DRAWINGS SUBJECT TO CHANGE WITHOUT NOTICE.

DRAWINGS AND/OR OTHER TECHNICAL INFORMATION SUPPLIED BY THOMSON POWER SYSTEMS AS A PART OF A SALE OF EQUIPMENT ARE FOR THE PURCHASER'S USE SOLELY IN CONJUNCTION WITH THAT EQUIPMENT UNLESS SPECIFICALLY AGREED TO OTHERWISE AS A PART OF THE TERMS OF SALE.

APPROVED FOR CONSTRUCTION  
 MASTER COPY  REFERENCE COPY OF \_\_\_\_\_  
 MULTIPLE UNIT WORK ORDER  
 RELEASED FOR INFORMATION  
 AUTH. BY: OG DATE: 12-10-03

DRAWING No.	REFERENCE DRAWINGS	No.	REVISIONS	BY	OG	DATE
		1	LOGO CHANGED	SR	OG	16-06-07



AUTOMATIC TRANSFER SWITCH  
MODEL TS 910  
PHYSICAL LAYOUT & INSTALLATION DETAILS  
(TYPICAL)

CUSTOMER			
CUSTOMER ORDER No.	WORK ORDER No.		
DRAWN BY TL	AUTH BY OG	DATE 12-10-03	REV 1
DRAWING/FILE No. 910M004			SHEET 1/1