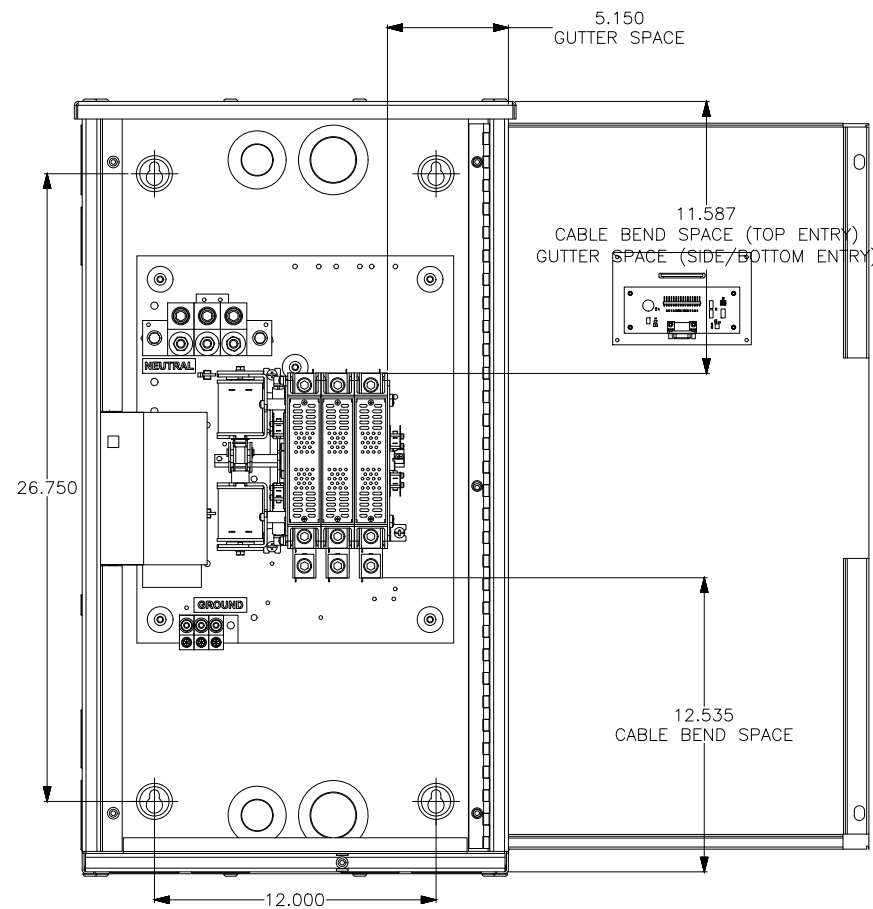
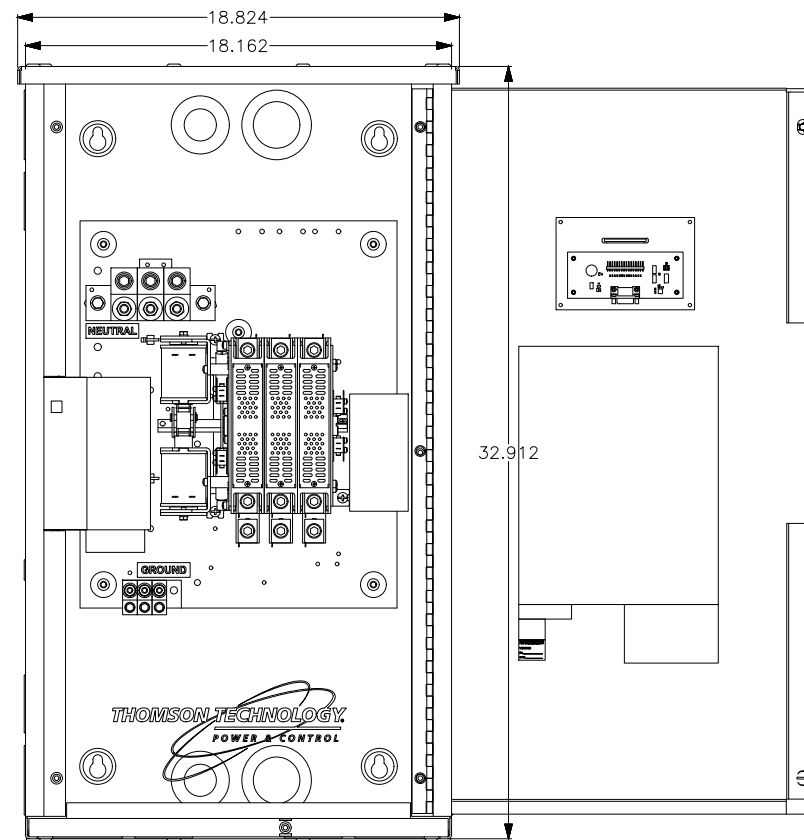


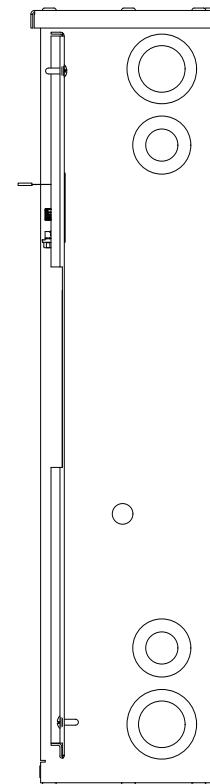
TOP



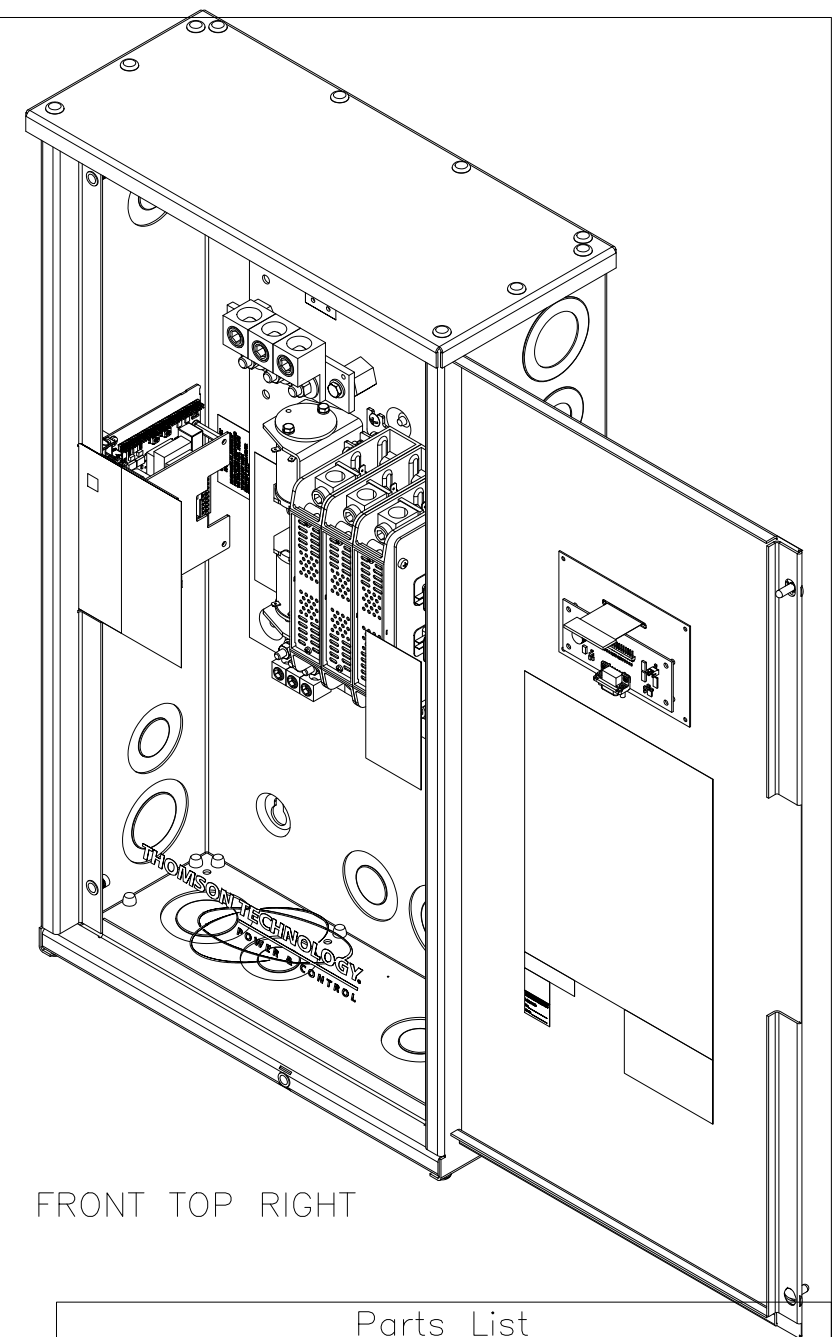
FRONT
NO DOOR



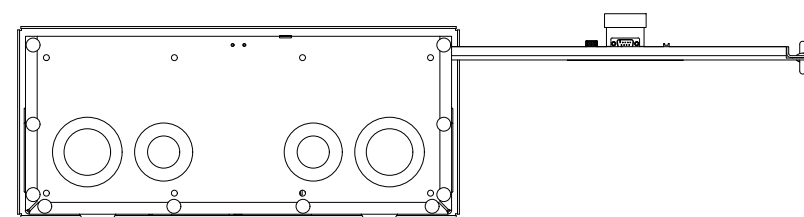
FRONT



RIGHT



FRONT TOP RIGHT



BOTTOM

- NOTES:
 1) BOTTOM & SIDE CABLE ACCESS, MAX 300MCM
 2) TOP CABLE ACCESS, MAX 3/0
 3) ELECTRICAL KNOCKOUTS FOR 1", 1½" & 2½" CONDUIT

Parts List

ITEM	QTY	PID	PART NUMB	DESCRIPTION
1	1		013E014	BACK PAN ASSEMBLY, 200A, 3P
2	1		209A002	CONTROLLER, TSC9, TS910
3	1	000944		THOMSON TECHNOLOGY LOGO SMALL
4	6	001114	0161626	SCREW, MACH, COMBO, RDH, PLT #8-32X1/4"
5	2	001130		SCREW, MACH, COMBO, TRH, 1/4"-20 X 3/4"
6	2	001155		NUT, PUSH ON-RETAINER, 1/4"
7	6	002088	1133708	WASHER, INTERNAL-TOOTH-LOCK, PLT #8
8	2	002101		WASHER, FLAT, NYLON 7/8"ODX0.257IDX1/16"
9	1	007132		DANGER ARC HAZARD LABEL
10	1	008171		LABEL, MADE IN MEXICO
11	1	008380		CONTROL ISOLATION INSTRUCTION LABEL
12	1	008384		PERFORMANCE/QUALITY VERIFIED LABEL
13	6	011003		RIVET, BLIND, 0.1875x0.377, AL-AL
14	1	011030		NAME PLATE, TS910, HOME GUARD
16	1	011088		UL CERT, TS910, HOME GUARD
17	1	011119	024E017	MAIN LABEL, INNER DOOR, 200A, TS910
19	1	011460	003A054	ENCLOSURE, 200A SE, TS910
32	1		020J021	
33	1		BHP	DESCRIPTION

APPROVED FOR CONSTRUCTION
 MASTER COPY REFERENCE COPY _____ OF _____
 MULTIPLE UNIT WORK ORDER
 RELEASED FOR INFORMATION
 AUTH. BY: _____ DATE: _____

DIMENSIONS IN INCHES ()=MILLIMETERS
 CAD GENERATED DRAWING, DO NOT CHANGE MANUALLY.
 THIRD ANGLE PROJECTION:
 DO NOT SCALE DRAWING
 REFER TO DRAWING #099E001 FOR TOLERANCES

1 REMOVED PACKAGING FROM MODEL, SCN822 12-11-15 TL



200A 3P TRANSFER SWITCH WITH POWER CONTACTOR
 TS923A0200A
 ATS, 200A, NEMA 1, 3P, PC

PART ID/ WORK ORDER NUMBER
TS923A0200A
 DRAWN BY: TL AUTH BY: DATE CREATED: 14-01-15 REV: 1
 DRAWING/FILE No. SHEET: 1 / 4