

# Foxfab Power Pedestals

## FFPP-A2D Series



The FFPP-A2D Series Power Pedestals (with While In Use Cover) are extremely versatile and are designed to suit many applications such as parking lot, RV park and utility power. These units come in multiple breaker and receptacle arrangements and are arranged as a dual sided pedestal. Enclosures are available in steel, aluminum or stainless steel.

### Standard Features/Specifications

- Weatherproof Type 3R Enclosure
- Galvanized Steel Construction with ANSI 61 Grey Powder Coat Finish
- Floor-Mount Design
- 30" Tall Standard Height
- Dual Sided Pedestal
- While In Use Cover
- Pad-Lockable Cover
- Base Plate
- 10kAIC Standard Mini Breakers
- Ground Lug
- 120/208/240VAC
- ETL Certified Assembly

### Options

- Hidden Base
- GFI Receptacles
- Custom Heights
- Anchor Bolts
- Type 4, 4X Enclosure
- Aluminum or Stainless Steel Construction
- Custom Powder Coat Finishes

Rev 0.1

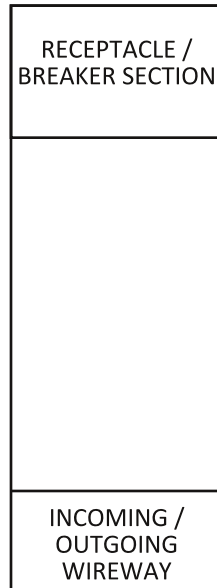
# Foxfab Power Pedestals

## FFPP-A2D Series

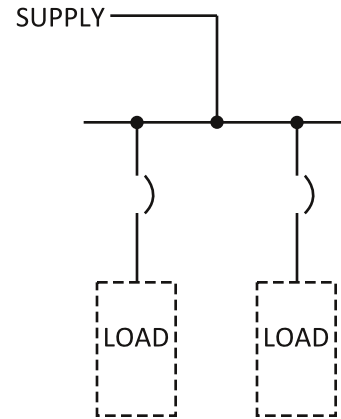


### Panel Layouts

FRONT/BACK LAYOUT:



### One-Line Diagram



### Typical Configurations

PART NO.	RECEPTACLES	BREAKER	DIMENSIONS		
			H (")	W (")	D (")
FFPP-A2D-1	2 x 15A Duplex	2 x 15A 1P	30	7	6
FFPP-A2D-2	2 x 20A Duplex	2 x 20A 1P	30	7	6
FFPP-A2D-3	2 x 30A 125V T.L.	2 x 30A 1P	30	7	6
FFPP-A2D-4	2 x 50A 125/250V T.L.	2 x 50A 2P	30	7	6
FFPP-A2D-5	2 x 15A Duplex 2 x 30A 125V T.L.	2 x 15A 1P 2 x 30A 1P	30	7	6
FFPP-A2D-6	2 x 15A Duplex 2 x 50A 125/250V T.L.	2 x 15A 1P 2 x 50A 2P	30	7	6
FFPP-A2D-7	2 x 20A Duplex 2 x 30A 125V T.L.	2 x 20A 1P 2 x 30A 1P	30	7	6
FFPP-A2D-8	2 x 20A Duplex 2 x 50A 125/250V T.L.	2 x 20A 1P 2 x 50A 2P	30	7	6
FFPP-A2D-9	2 x 30A Duplex 2 x 50A 125/250V T.L.	2 x 30A 1P 2 x 50A 2P	30	7	6
FFPP-A2D-10	2 x 15A Duplex 2 x 30A 125V T.L. 2 x 50A 125/250V T.L.	2 x 15A 1P 2 x 30A 1P 2 x 50A 2P	30	7	6
FFPP-A2D-11	2 x 20A Duplex 2 x 30A 125V T.L. 2 x 50A 125/250V T.L.	2 x 20A 1P 2 x 30A 1P 2 x 50A 2P	30	7	6

Rev 0.1