

4

3

2

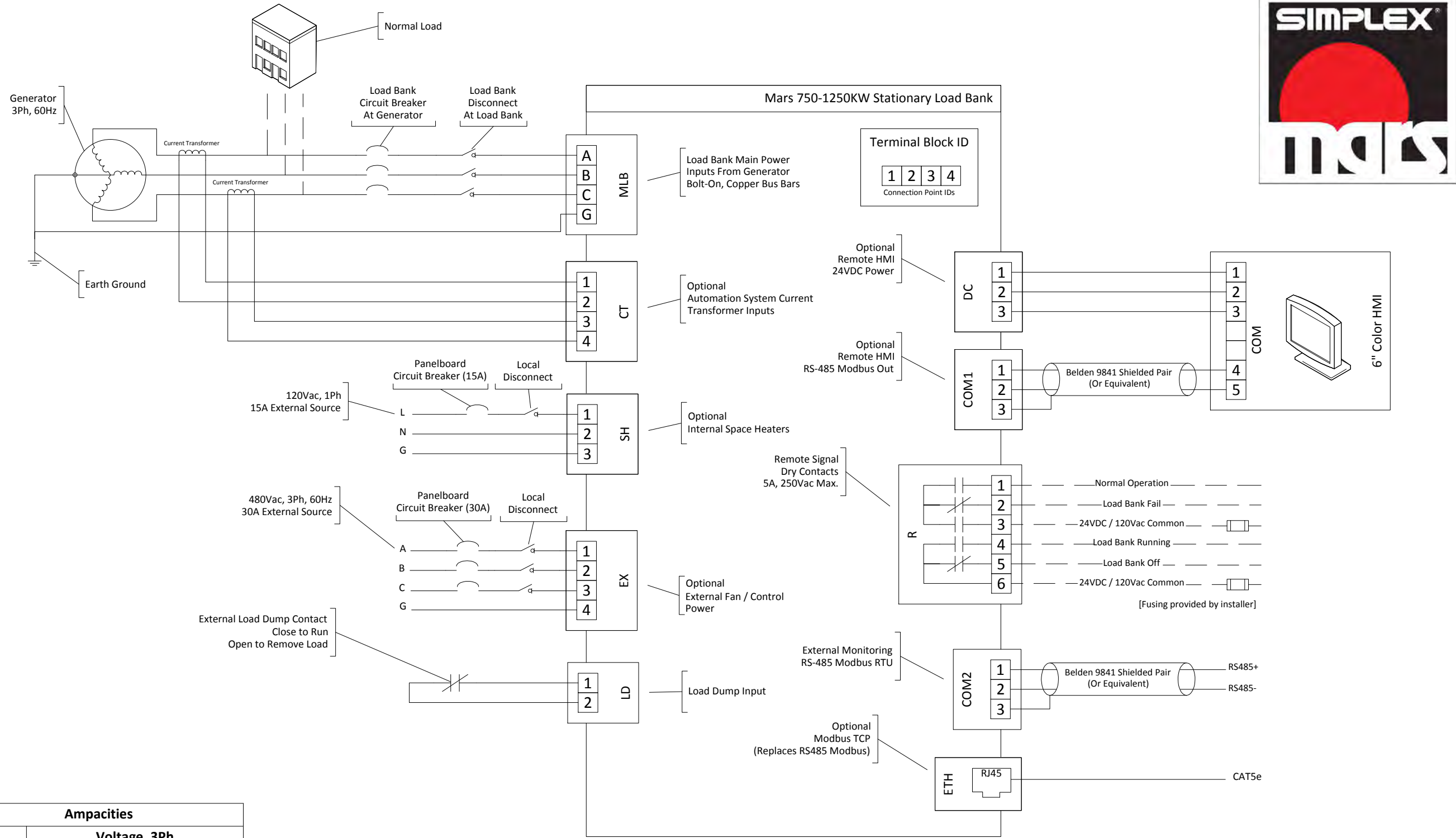
1

B

A

B

A

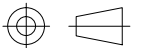


**SIMPLEX**

SIMPLEX, INC.  
5300 RISING MOON ROAD  
SPRINGFIELD, ILLINOIS 62711-6228

THE INFORMATION HEREON IS THE PROPERTY OF SIMPLEX, INC. AND/OR ITS SUBSIDIARIES. WITHOUT WRITTEN PERMISSION ANY COPYING, TRANSMITTAL TO OTHERS AND USE EXCEPT THAT FOR WHICH IT IS LOANED IS PROHIBITED.  
© 2013 SIMPLEX, INC.  
ALL RIGHTS RESERVED

THIRD ANGLE PROJECTION



REVIEWS & UPDATES		REV	DATE	DESCRIPTION
JLW/PWC	Fixed Mars Logo and Amperage Table			
JLW/PWC	Original Revision			
B	06/28/2013			
A	06/28/2013			

TOLERANCES  
X.XXX ± 0.005"  
X.XX ± 0.010"  
X.X ± 0.020"  
FRACTIONAL ± 1/32"  
ANGLES ± 1°  
SURFACES 125/√

APPROVED BY: PWC  
DRAWN BY: JLW  
SCALE: NTS  
SHEET SIZE: ANSI B  
WORK ORDER: NA

DESCRIPTION: Mars Customer Connections



DRAWING NUMBER  
**ACD-0000689**

SHEET NUMBER: 1/1  
REVISION: B

Ampacities			
Voltage, 3Ph			
KW	416	480	600
750	1041	902	722
800	1110	962	770
900	1249	1083	866
1000	1388	1203	962
1100	1527	1323	1059
1200		1443	1155
1250		1504	1203

**Installation Notes**

- Generator neutral must be connected to earth ground and connected to load bank as shown.
- Provide external circuit protection for dry contacts as shown.
- Field installed wiring must be rated 600V, 60C or higher for circuits < 100A, 75C or higher for circuits >= 100A. Use copper conductors only. Size conductors in accordance with NEC Table 310.15, with 14AWG being the minimum required gauge for any field connection.
- See NEC Table 310.15 for allowable ampacities of cables in free air or conduit and at site ambient temperature.

**DANGER**

- High Voltage (600Vac Class)
- High Temperatures - Air Exhaust Up to 600F
- Elevated Interior Temperatures - Up to 175F
- Rotating Fan Blade - 1800RPM, 10.0HP

4

3

2

1