

4

3

2

1

NOTES

- 1) COLOR: **WHITE**
- 2) APPROXIMATE WEIGHT: 28lbs.

LEG STAND-BOLT TOGETHER (PN. 50113001) FSOP-084

****CUSTOMER DRAWING****

<input checked="" type="checkbox"/>	STD. FILLING SYSTEM DRAWING
<input type="checkbox"/>	NON-STD. FILLING SYSTEM DRAWING

FABRICATED PARTS		
ITEM	DESCRIPTION	QTY.
2A	LEG STAND-BOLT TOGETHER FRONT LEG	1
3A	LEG STAND-BOLT TOGETHER REAR LEG	1
4A	LEG STAND-BOLT TOGETHER LEFT & RIGHT LEG	2
5A	COMPACT FILL BASE STAINLESS STEEL GROUND STUD	1

FUEL ASSEMBLY PARTS		
ITEM	DESCRIPTION	QTY.
①	HB 5/16"-18x1" HEX HEAD BOLT, 18-8 STAINLESS STEEL	8
②	FW 5/16" FLAT WASHER, 18-8 STAINLESS STEEL, 3/4" OD	16
③	LN 5/16"-18 NYLON LOCKNUT, 18-8 STAINLESS STEEL	8
④	NP1 GROUND LABEL WARNING NAMEPLATE, RED/WHITE	1

REFERENCE ASSEMBLY DRAWINGS (SIMPLEX USE ONLY)

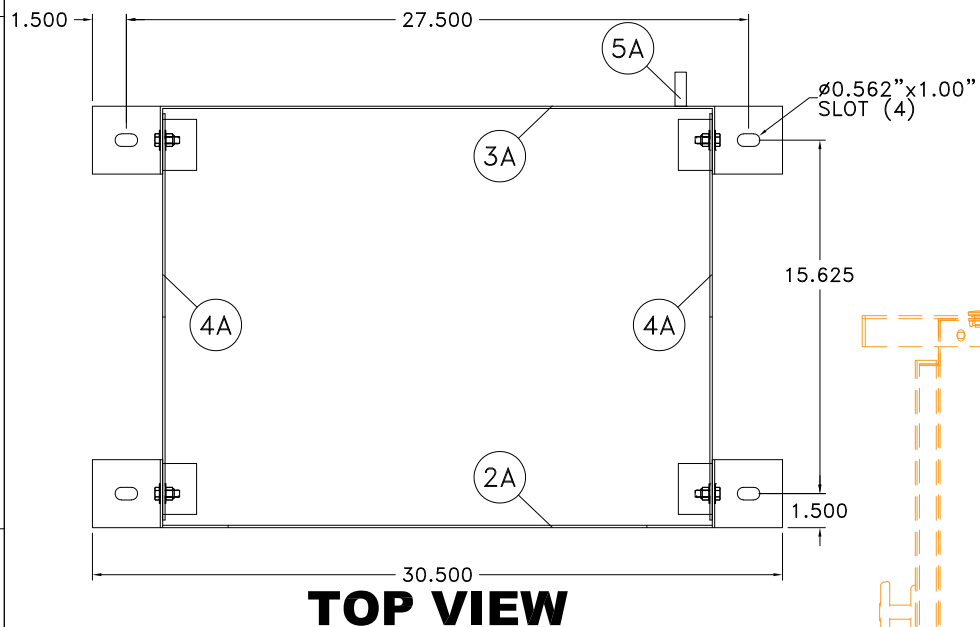
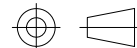
ITEM	DESCRIPTION	PART NUMBER	QTY.
1A	LEG STAND-BOLT TOGETHER ASSEMBLY	ACD-00060630A	1



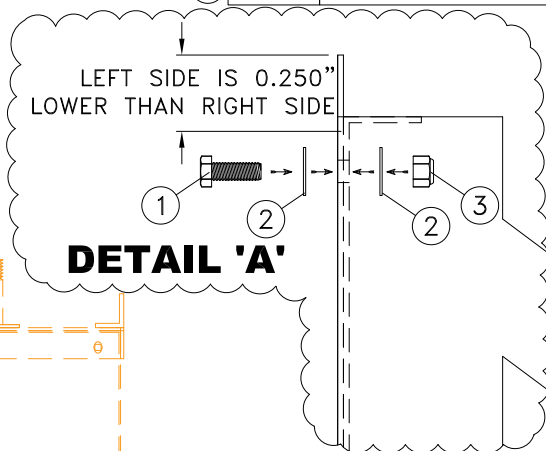
SIMPLEX, INC.
5300 RISING MOON ROAD
SPRINGFIELD, ILLINOIS 62711-6228

THE INFORMATION HEREON IS THE PROPERTY OF SIMPLEX, INC., AND/OR ITS SUBSIDIARIES. WITHOUT WRITTEN PERMISSION ANY COPYING, TRANSMITTAL TO OTHERS AND USE EXCEPT THAT FOR WHICH IT IS LOANED IS PROHIBITED.
© 2019 SIMPLEX, INC.
ALL RIGHTS RESERVED

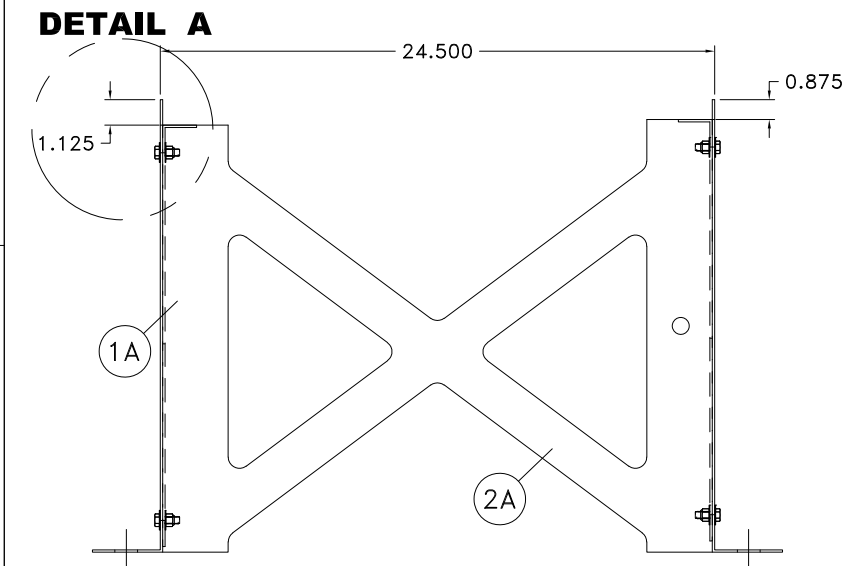
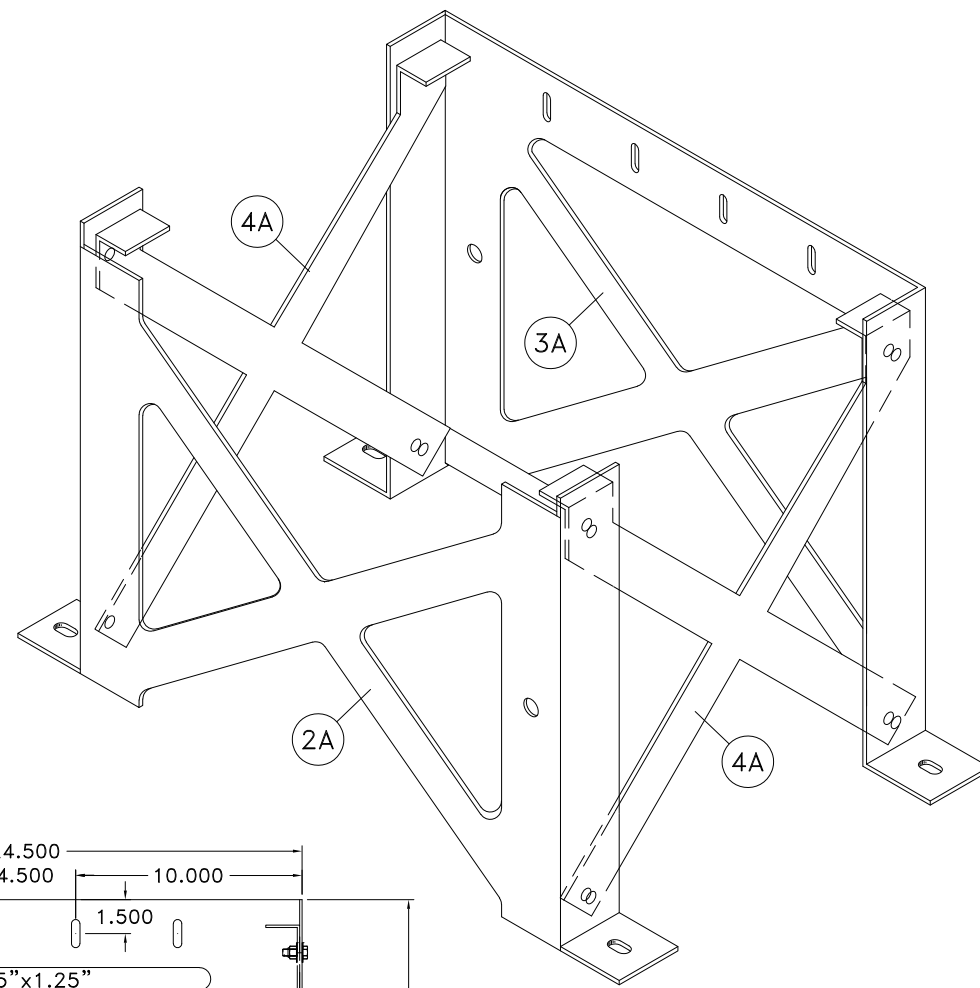
THIRD ANGLE PROJECTION



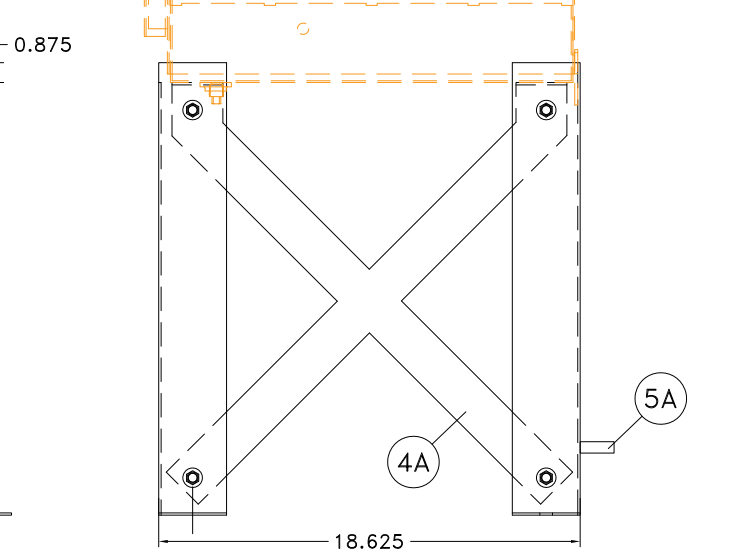
TOP VIEW



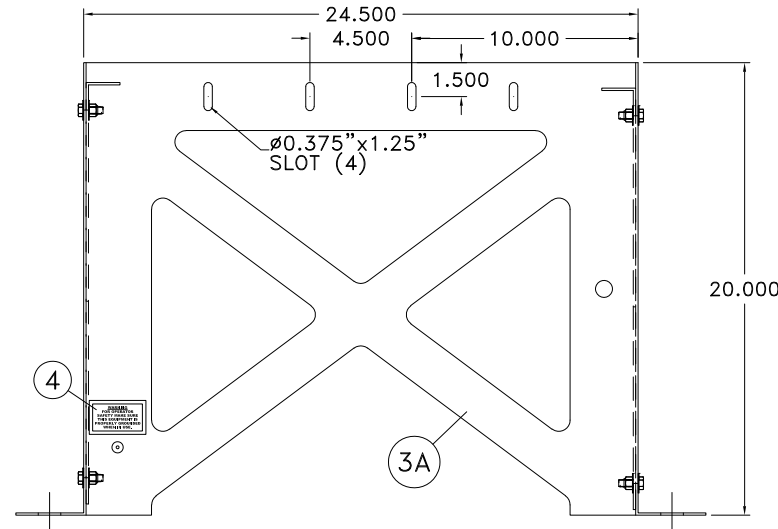
DETAIL 'A'



FRONT VIEW



RIGHT VIEW WITH COMPACT FUEL PORT (FOR MOUNTING REFERENCE ONLY)



REAR VIEW

REV	DATE	DESCRIPTION	INT	APPR
A	08/06/2019	ORIGINAL DESIGN		

TOLERANCES
X.XXX ± 0.005"
X.XX ± 0.010"
X.X ± 0.020"
FRACTIONAL ± 1/32"
ANGLES ± 1°
SURFACES 125

APPROVED BY: AA
DRAWN BY: AA
SCALE: 1:8.3572
SHEET SIZE: ANSI B
JOB NUMBER: NA

DESCRIPTION
LEG STAND-BOLT TOGETHER
FSOP-084 STANDARD
(PN. 50113001)

Approved 08/06/2019

DRAWING NUMBER
ACD-00060738

SHEET NUMBER: 1/1
REVISION: A

4

3

2

1