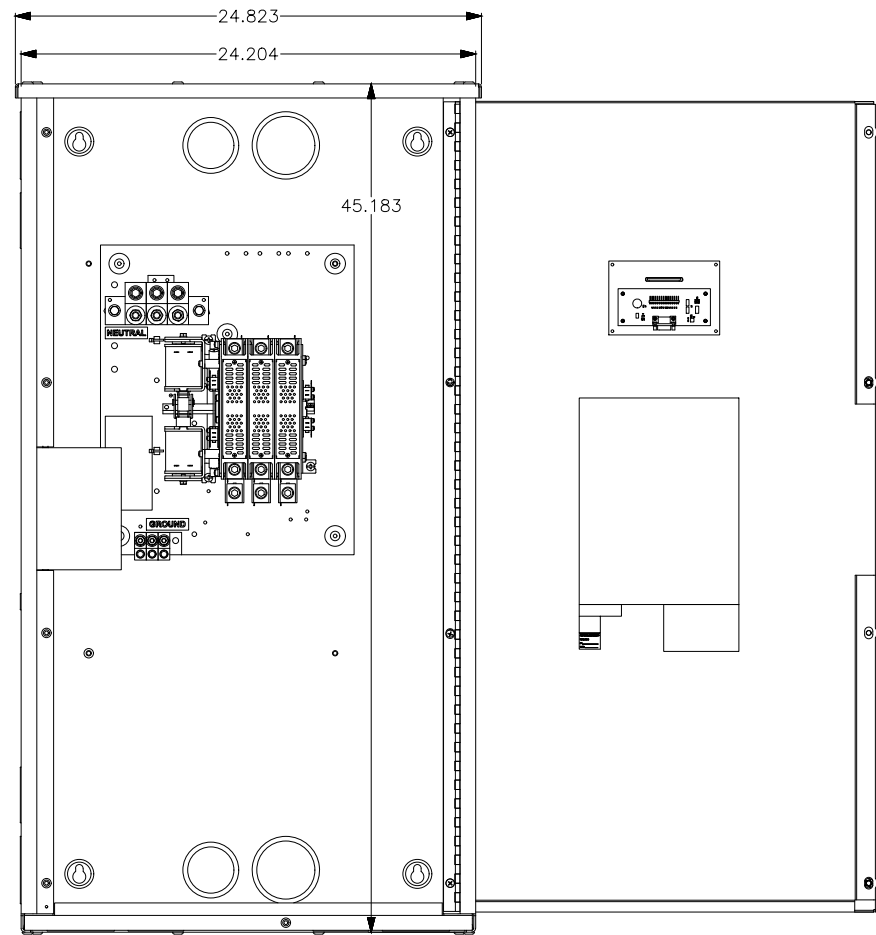
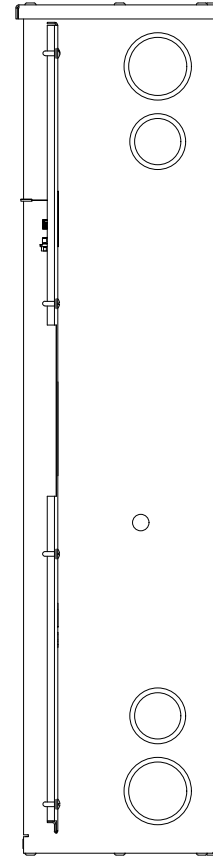


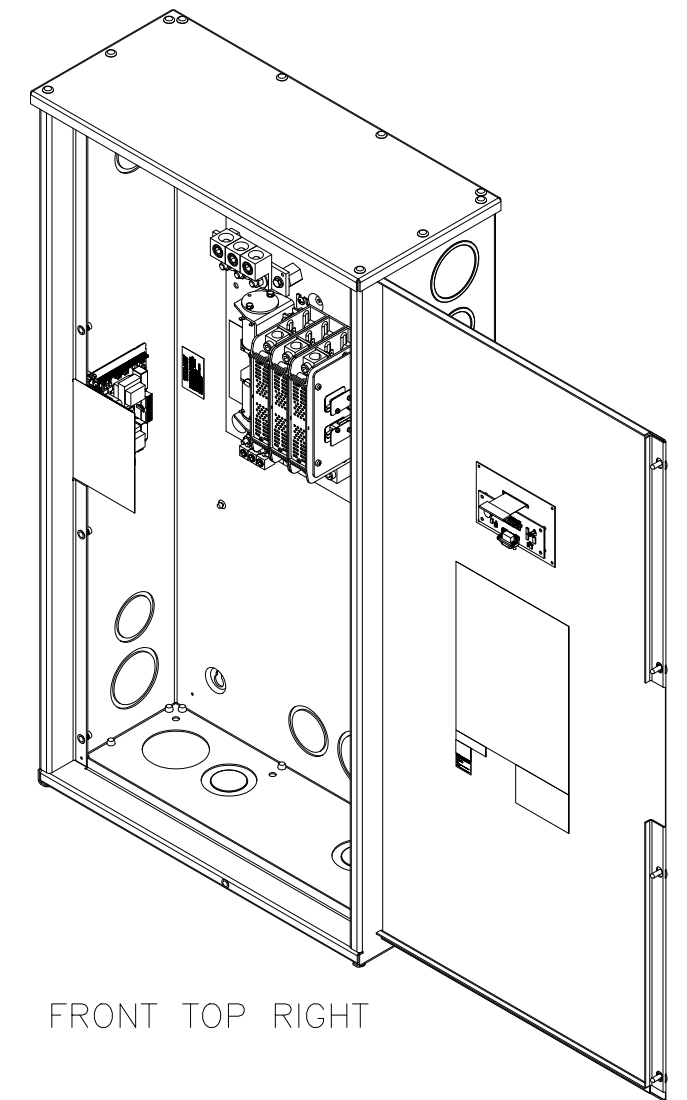
TOP



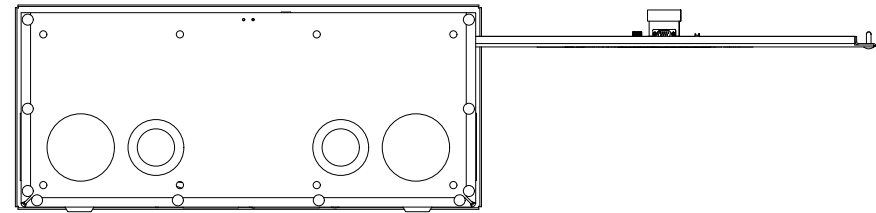
FRONT



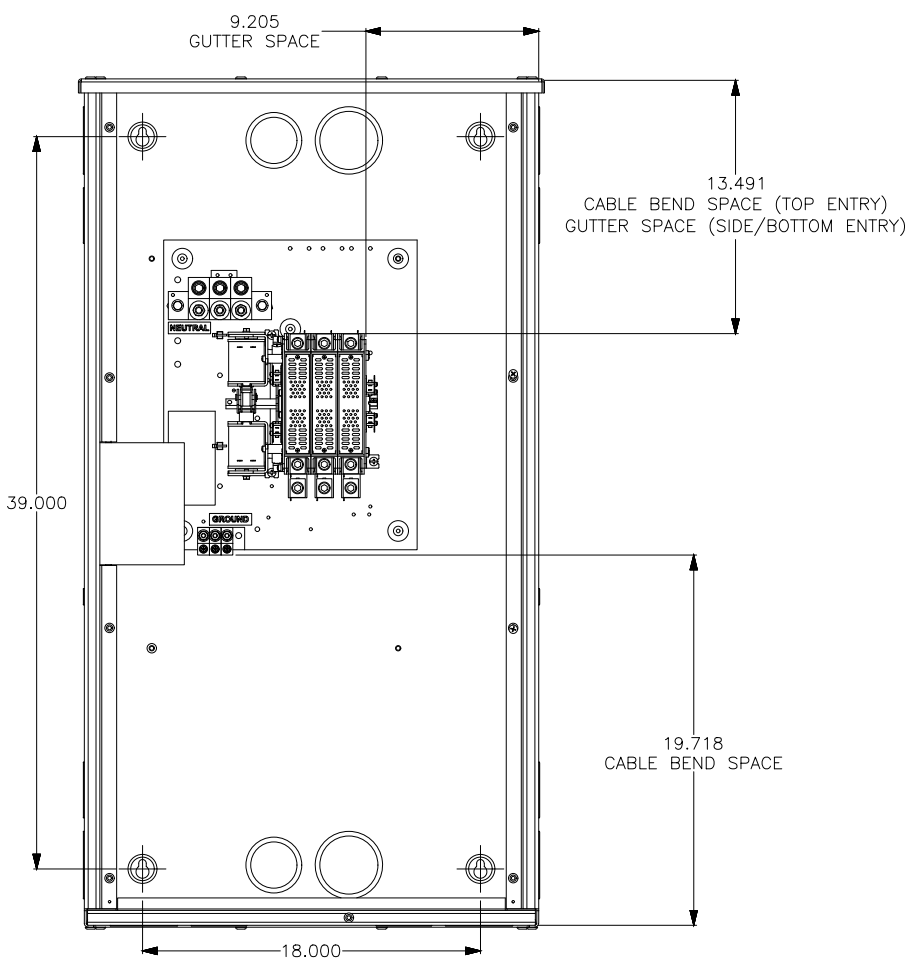
RIGHT



FRONT TOP RIGHT



BOTTOM



FRONT
NO DOOR

- NOTES:
 1) BOTTOM & SIDE CABLE ACCESS, MAX 250MCM 2c OR 600MCM
 2) TOP CABLE ACCESS, MAX 3/0 2c
 3) ELECTRICAL KNOCKOUTS FOR 2 1/2" & 3" CONDUIT

Parts List

ITEM	QTY	PID	PART NUMB	DESCRIPTION
2	1		209A002	CONTROLLER, TSC9, TS910
4	6	001114	0161626	SCREW, MACH, COMBO, RDH, PLT #8-32X1/4"
5	4	001130		SCREW, MACH, COMBO, TRH, 1/4"-20 X 3/4",
6	4	001155		NUT, PUSH ON-RETAINER, 1/4"
9	4	002101		WASHER, FLAT, NYLON 7/8"ODX0.257IDX1/16"
10	1	007132		DANGER ARC HAZARD LABEL
11	1	008171		LABEL, MADE IN MEXICO
12	1	008380		CONTROL ISOLATION INSTRUCTION LABEL
14	1	010815	003A053	ENCLOSURE, 400A, TS910
15	6	011003		RIVET, BLIND, 0.1875x0.377, AL-AL
16	6	002088	1133708	WASHER, INTERNAL-TOOTH-LOCK, PLT #8
17	1	011032		NAME PLATE, TS910, HOME GUARD
20	1	011088	UL CERT	UL CERT, TS910, HOME GUARD
4	1		013E014	BACK PAN ASSEMBLY, 200A, 3P
9	1		020J020	
30	1	011119	024E017	MAIN LABEL, INNER DOOR, 200A, TS910
33	1	012164	024E041	LABEL, MARATHON THOMSON POWER SYSTEM, 10"
34	1		BHP	DESCRIPTION

APPROVED FOR CONSTRUCTION
 MASTER COPY REFERENCE COPY OF _____
 MULTIPLE UNIT WORK ORDER
 RELEASED FOR INFORMATION
 AUTH. BY: _____ DATE: _____

DIMENSIONS IN INCHES, []=MILLIMETERS
 CAD GENERATED DRAWING, DO NOT CHANGE MANUALLY.
 THIRD ANGLE PROJECTION:
 DO NOT SCALE DRAWING
 REFER TO DRAWING #099E001 FOR TOLERANCES



400A 3P 2c TRANSFER SWITCH WITH POWER
 CONTACTOR
 TS923A0400A
 ATS, 400A, NEMA 1, 3P, 2c, PC

PART ID/ WORK ORDER NUMBER			
TS923A0400A			
DRAWN BY	AUTH BY	DATE CREATED	REV
SB		12-02-29	0
DRAWING/FILE No.			SHEET
211A030			1 / 4