

REFERENCE ASSEMBLY (FOR SIMPLEX USE ONLY)			
ITEM	DESCRIPTION	PART NUMBER	QTY.
1A	CFFB-2 COMPACT FLUSH FILL BASE WELDMENT ASSEMBLY	ACD-00062362A	1
2A	CFFB-3 ELBOW/PIPE ASSEMBLY	ACD-00062375A	1
3A	CFFB-3 3.00"x12.00" NIPPLE ASSEMBLY	ACD-00062374A	1
4A	CFB-2 0.50"x4.00" NIPPLE ASSEMBLY	ACD-00053538A	1

FUEL ASSEMBLY PARTS (FS Assy-OPERATION 10)			
ITEM	DESCRIPTION	PART NUMBER	QTY.
1B	AC 3.00" ANGLE CHECK ELBOW COUPLER, FEMALE NPT. THREAD x COUPLER, ALUMINUM BODY W/ VITON SEAL, PART G	22919001	1
2B	DP1 DUST PLUG ADAPTER FOR 3.00" COUPLER, ALUMINUM, PART W	22440904	1
3B	N1 3.00"x4.00" NPT. NIPPLE, SCH. 40, 304 STAINLESS STEEL, TBE	60000196	1
4B	MHP MANUAL HAND PUMP, STEEL BODY W/ ALUMINUM HEAD & BASE 1-GAL. PER 9 STROKES DELIVERY RATE	24740000	1
5B	BV2 3.00" NPT. MANUAL BALL VALVE, FULL PORT, BRASS/BRONZE BODY	22919000	1

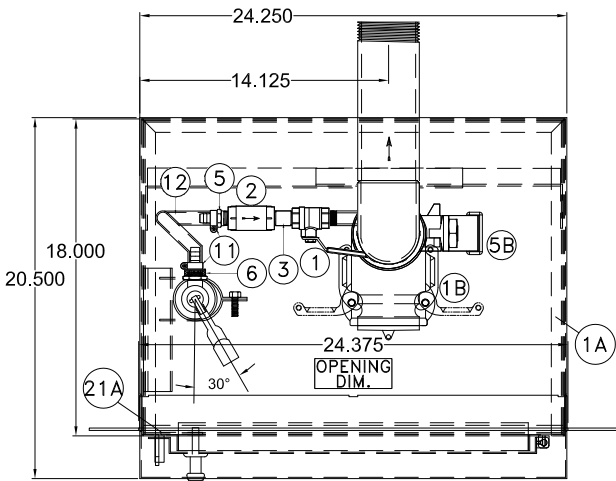
AVAILABLE PARTS (REFERENCE SALES ORDER FOR OPTIONS)

FUEL ASSEMBLY PARTS (FLOOR STOCK)				
ITEM	DESCRIPTION	PART NUMBER	QTY.	OPTION
14	DL DIESEL LABEL, 6"x3"H, GREEN/WHITE	24138005	1	FSOP-041
15	GL GAS LABEL, 6"x3"H, RED/WHITE	24138000	1	FSOP-042
16	EQ FLORIDA EQ-481 SPILL CONTAINMENT LABEL, 5.25"Lx2.5"H, WHITE/BLACK	24055213	1	FSOP-043

DIESEL 14

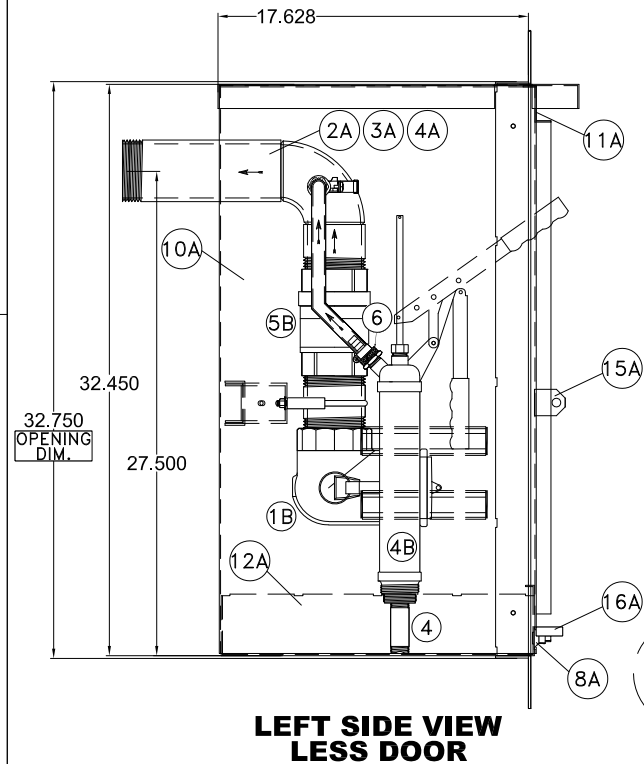
GAS 15

Florida EQ-481 16

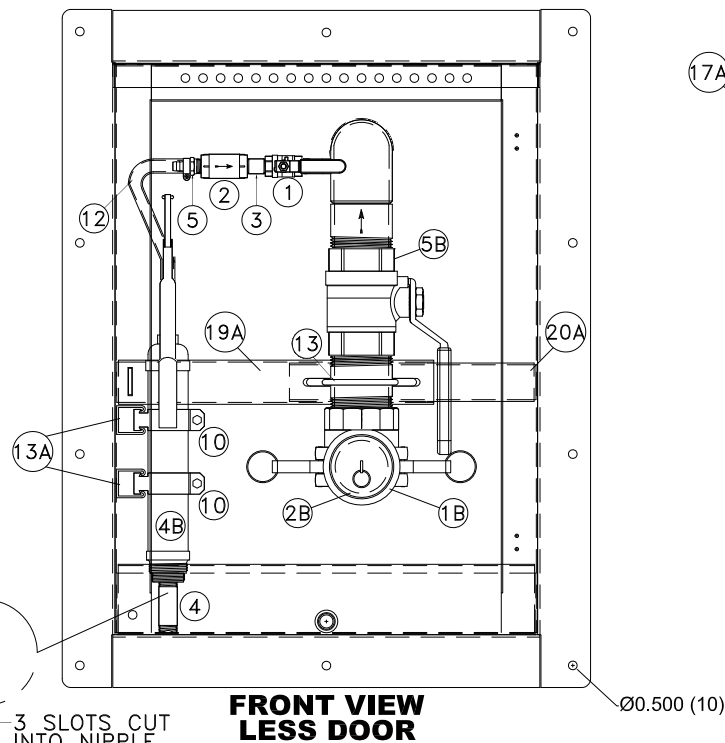


TOP VIEW

- NOTES
- 1) ALL DIMENSIONS ±.125
 - 2) DUE TO SYSTEM COMPLEXITY SOME COMPONENTS MAY NOT BE VISIBLE IN ALL VIEWS
 - 3) CONSTRUCTION WELDED 14 GA. H.R.S.
 - 4) CABINET COLOR: **WHITE** DOOR COLOR: **BLUE**
 - 5) APPROXIMATE WEIGHT: 145lbs.

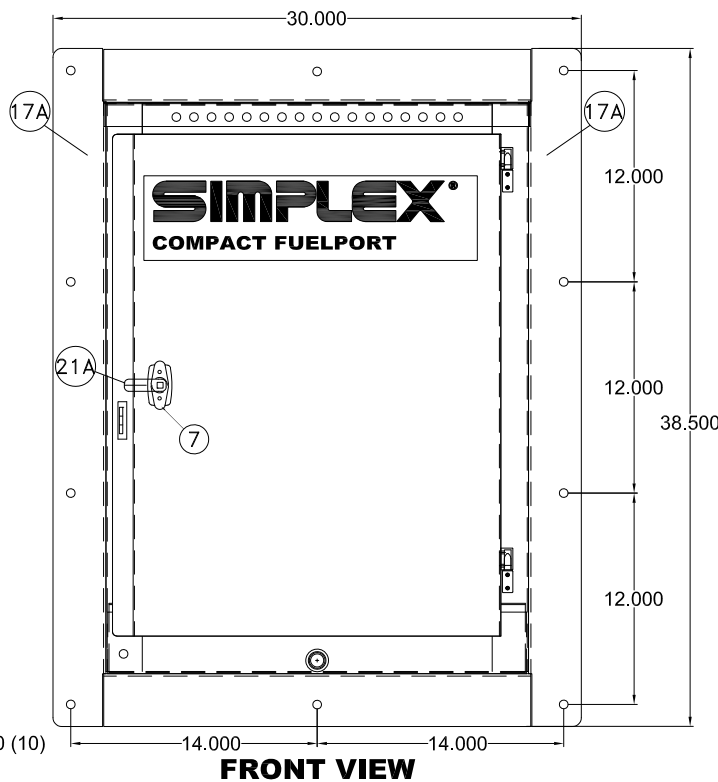


LEFT SIDE VIEW LESS DOOR



FRONT VIEW LESS DOOR

3 SLOTS CUT INTO NIPPLE



FRONT VIEW

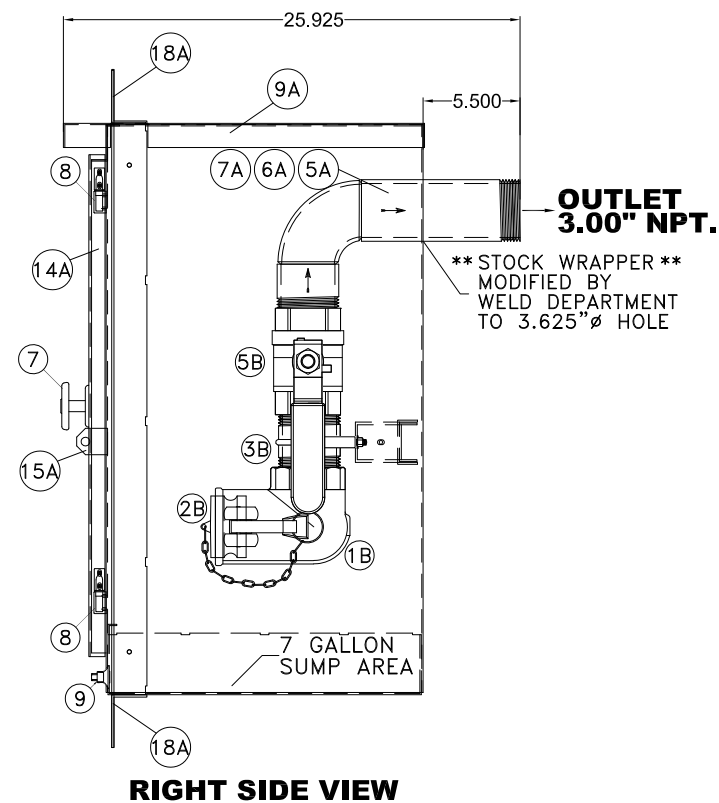
FP-3-075 COMPACT FLUSH MOUNT FUEL PORT 3"

CUSTOMER/PRODUCTION DRAWING

STD. FILLING SYSTEM DRAWING
NON-STD. FILLING SYSTEM DRAWING

FABRICATED PARTS (Weld-OPERATION 10)			
ITEM	DESCRIPTION	PART NUMBER	QTY.
5A	3.00"x12.00" NPT. NIPPLE, THREADED BOTH ENDS, SCH. 40, BLK.	22517005	1
6A	3.00" BUTT-WELD ELBOW, 90 DEGREE, SR, SCH. 80, CS	22464008	1
7A	0.50"x4.00" NPT. NIPPLE, THREADED BOTH ENDS, SCH. 40, BLK.	22513100	1
8A	0.375" NPT. WELD FLANGE, BLK, FLAT TYPE FOR SUMP DRAIN	22602000	1
9A	COMPACT FLUSH MOUNT FILL BASE TOP	ACD-00062365A	1
10A	COMPACT FLUSH MOUNT FILL BASE WRAPPER	ACD-00062363A	1
11A	COMPACT FILL BASE TOP HEADER	ACD-00053541A	1
12A	COMPACT FLUSH MOUNT FILL BASE BOTTOM	ACD-00062364A	1
13A	COMPACT FILL BASE UNISTRUT DETAIL	ACD-00053544A	2
14A	COMPACT FLUSH MOUNT FILL BASE DOOR	ACD-00062369A	1
15A	COMPACT FILL BASE PADLOCK SLOT/TAB, 7GA. H.R.S.	ACD-00053547A	1
16A	COMPACT FILL BASE STAINLESS STEEL GROUND STUD	ACD-00053548A	1
17A	COMPACT FLUSH MOUNT FILL BASE LEFT & RIGHT WALL FLANGE	ACD-00062366A	2
18A	COMPACT FLUSH MOUNT FILL BASE TOP & BOTTOM WALL FLANGE	ACD-00062367A	2
19A	COMPACT FLUSH MOUNT FILL BASE LEFT PLUMBING SUPPORT BRACKET	ACD-00062370A	1
20A	COMPACT FLUSH MOUNT FILL BASE RIGHT PLUMBING SUPPORT BRACKET	ACD-00062371A	1
21A	COMPACT FILL BASE DOOR PAWL, 2.375", GALVANIZED	ACD-00053551A	1

FUEL ASSEMBLY PARTS (FLOOR STOCK)			
ITEM	DESCRIPTION	PART NUMBER	QTY.
1	BV1 0.50" NPT. MANUAL BALL VALVE, FULL PORT, BRASS/BRONZE BODY	22918050	1
2	CV 0.50" NPT. CHECK VALVE, SPRING TYPE, BRONZE W/ VITON O-RING	22923105	1
3	NP2 0.50"x1.50" NPT. NIPPLE, SCH. 40, 304 STAINLESS STEEL, TBE	22514048	1
4	NP3 0.75"x3.00" NPT. NIPPLE, SCH. 40, 304 STAINLESS STEEL, TBE	60000102	1
5	HB1 HOSE BARB 0.50" ID BARB x 0.50" NPT. MALE THREADS, BRASS	60000159	1
6	HB2 HOSE BARB 0.50" ID BARB x GHT FEMALE THREADS, BRASS	22743000	1
7	DLN DOOR LATCH, NON-LOCKING T-HANDLE, BLACK W/ GASKET	15454500	1
8	DH DOOR HINGE 2-1/4"x19/32" #10 W/ UL GREEN SEALING WASHERS	15372001 20715025	2 4
9	SP SUMP PLUG, 0.375" NPT. HEX HEAD, 316 STAINLESS STEEL	22905600	1
10	PC1 2.00" PIPE CLAMP, GALVANIZED FOR MOUNTING MANUAL HAND PUMP	27100105	2
11	HC HOSE CLAMP W/ STAINLESS STEEL BAND	22203000	2
12	H PCV CLEAR BRAIDED HOSE, 0.50" I.D. x 0.75" O.D.	22730001	-
13	PC2 PIPE CLAMP U-BOLT, STEEL FOR 3.00" PIPE, 3/8"-16 THREAD	19500001	1



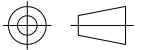
RIGHT SIDE VIEW

OUTLET 3.00" NPT.
** STOCK WRAPPER **
MODIFIED BY
WELD DEPARTMENT
TO 3.625" Ø HOLE

SIMPLEX
SIMPLEX, INC.
5300 RISING MOON ROAD
SPRINGFIELD, ILLINOIS 62711-6228

THE INFORMATION HEREON IS THE PROPERTY OF SIMPLEX, INC., AND/OR ITS SUBSIDIARIES. WITHOUT WRITTEN PERMISSION ANY COPYING, TRANSMITTAL TO OTHERS AND USE EXCEPT THAT FOR WHICH IT IS LOANED IS PROHIBITED.
© 2019 SIMPLEX, INC.
ALL RIGHTS RESERVED

THIRD ANGLE PROJECTION



REV	DATE	DESCRIPTION
A	11/27/2019	ORIGINAL DESIGN

TOLERANCES
X.XXX ± 0.005"
X.XX ± 0.010"
X.X ± 0.020"
FRACTIONAL ± 1/32"
ANGLES ± 1°
SURFACES 125

APPROVED BY: AA
DRAWN BY: AA
SCALE: 1:10.7386
SHEET SIZE: ANSI B
JOB NUMBER: NA

DESCRIPTION
COMPACT FLUSH FUEL PORT
FP-3-075 PICTORIAL
FSOP-075 FLUSH MOUNT

Approved 11/27/2019

DRAWING NUMBER
ACD-00065310

SHEET NUMBER 1/1
REVISION A