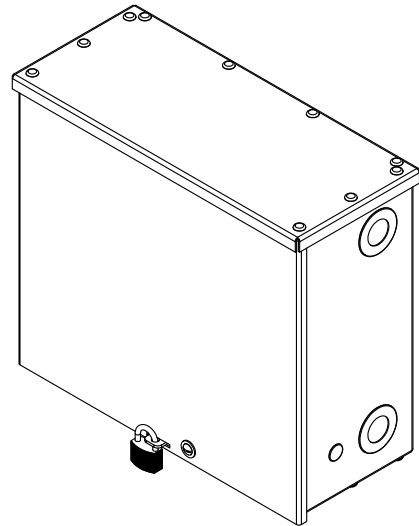


NEMA 1



W/ NEMA3R OPTION

2.5" x 5" W1

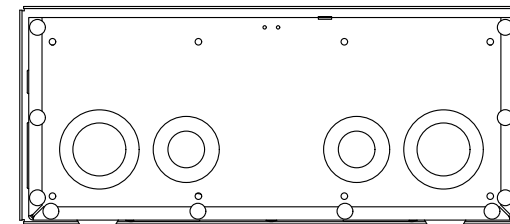
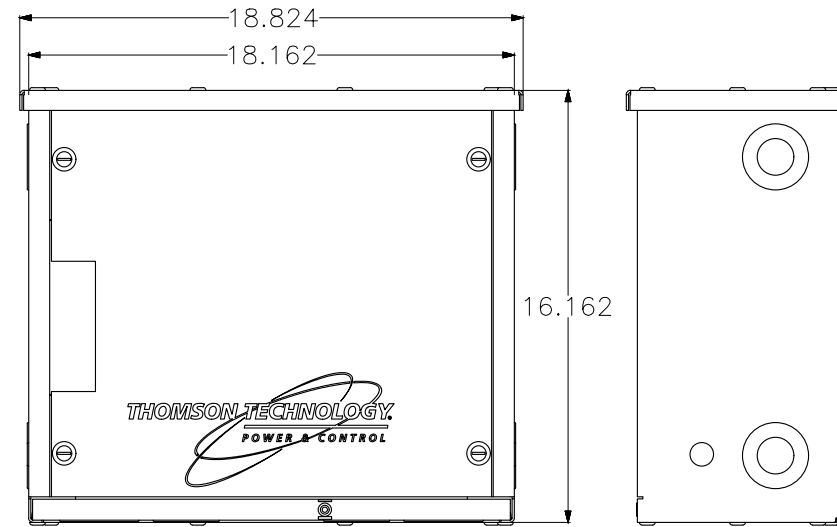
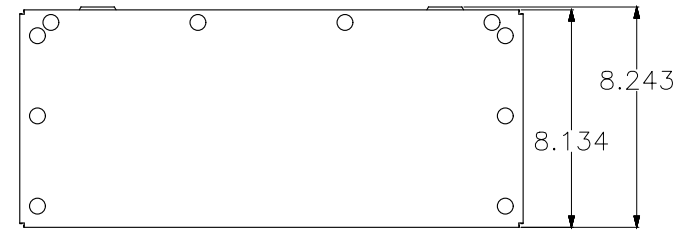
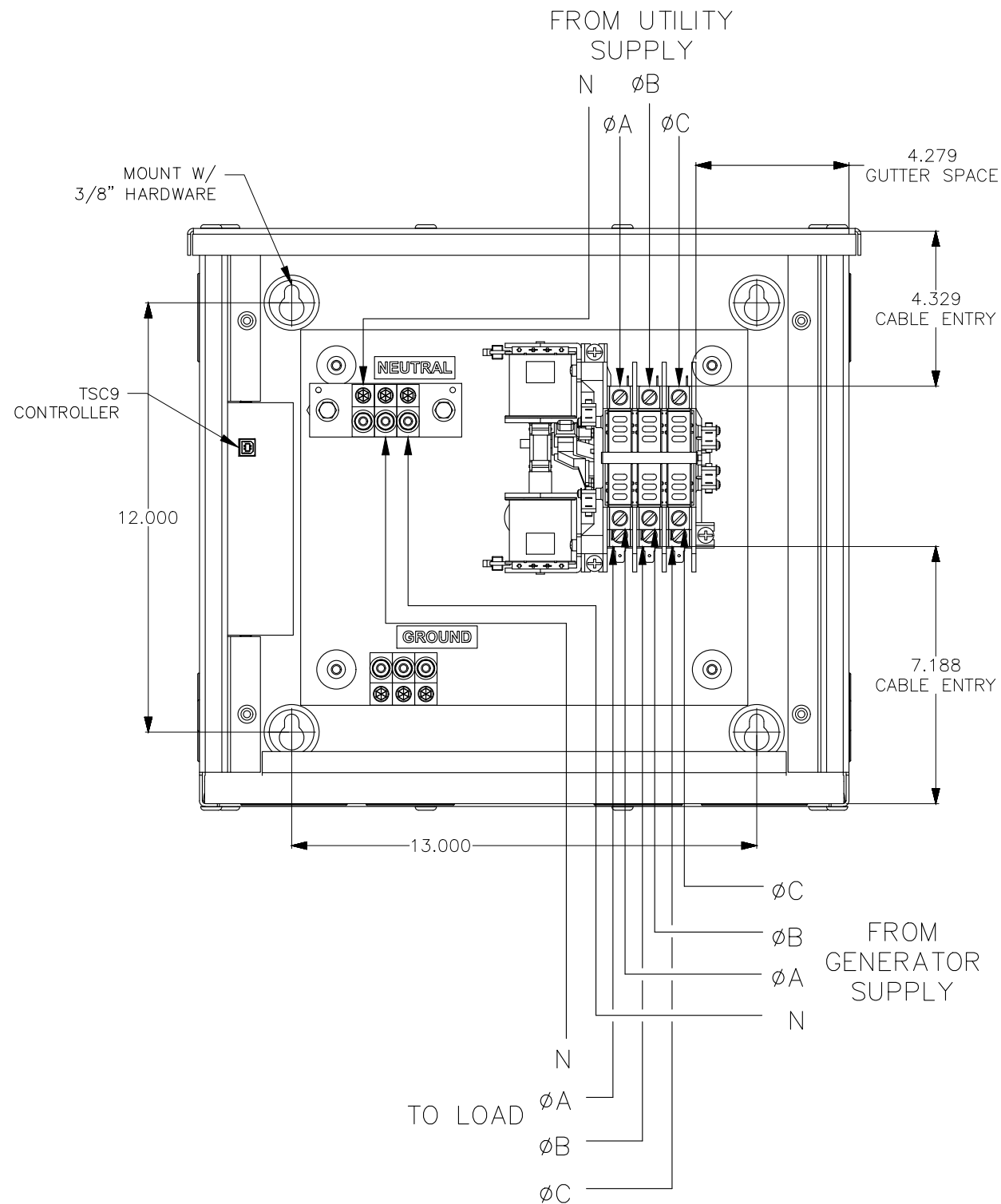
⚠ DANGER PELIGRO

Arc Flash and Shock Hazard

Risque d'Arc Electrique et d'Electrocution

Riesgo de Arco y Choque Electrico

- NOTES:
- 1) STANDARD CONFIGURATION SHOWN
 - 2) BOTTOM & SIDE CABLE ACCESS, MAX 1/0
 - 3) TOP CABLE ACCESS, MAX #3
 - 4) CONDUIT KNOCKOUTS; 1", 1.5", 2"



TRANSFER SWITCH OPTIONS

ENCLOSURE TYPE

- NEMA 1
- NEMA 3R

ENCLOSURE MATERIAL

- ALUMINUM

APPLICATION

- STANDARD

SIZE (AMPS)

- 100A

- 2 POLE
- 3 POLE

- SOLID NEUTRAL

⚠ POWER SWITCHING DEVICES ARE MECHANICALLY INTERLOCKED SO THAT ONLY ONE DEVICE IS CLOSED AT A TIME.

⚠ FOR TRANSFER SWITCH OPTIONS SEE SCHEMATIC DIAGRAM.

CONNECTION DATA

- 100A ATS:
- UTILITY: 1C #14-1/0 Cu/Al PER PHASE
- GEN: 1C #14-1/0 Cu/Al PER PHASE
- LOAD: 1C #14-1/0 Cu/Al PER PHASE
- NEUTRAL 1C #14-2/0 Cu/Al PER SOURCE
- GROUND: 1C #14-2/0 Cu/Al.

SPECIAL REQUIREMENTS

APPROVED FOR CONSTRUCTION. DRAWINGS SUBJECT TO CHANGE WITHOUT NOTICE.

DRAWINGS AND/OR OTHER TECHNICAL INFORMATION SUPPLIED BY THOMSON POWER SYSTEMS AS A PART OF A SALE OF EQUIPMENT ARE FOR THE PURCHASER'S USE SOLELY IN CONJUNCTION WITH THAT EQUIPMENT, UNLESS SPECIFICALLY AGREED TO OTHERWISE AS A PART OF THE TERMS OF SALE.

APPROVED FOR CONSTRUCTION

MASTER COPY REFERENCE COPY OF _____

MULTIPLE UNIT WORK ORDER

RELEASED FOR INFORMATION

AUTH. BY: OG DATE: 12-10-03

DRAWING No.	REFERENCE DRAWINGS	No.	REVISIONS	BY	AUTH	DATE
		1	LOGO CHANGED	SR	OG	16-06-07



AUTOMATIC TRANSFER SWITCH
MODEL TS 910
PHYSICAL LAYOUT & INSTALLATION DETAILS
(TYPICAL)

CUSTOMER			
CUSTOMER ORDER No.	WORK ORDER No.	DATE	REV
		12-10-03	1
DRAWING/FILE No.			SHEET
910M001			1/1