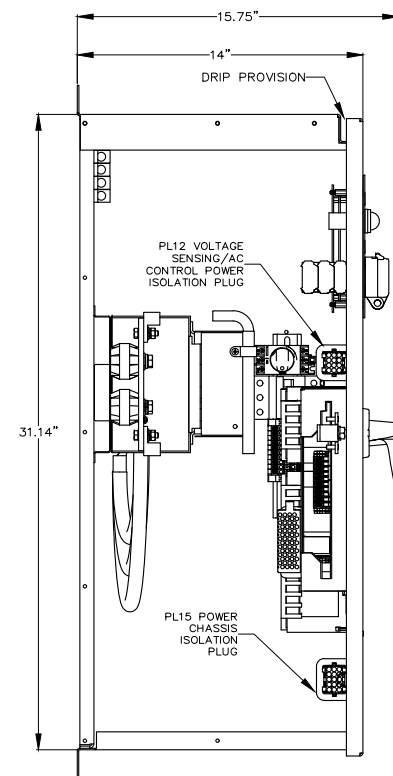
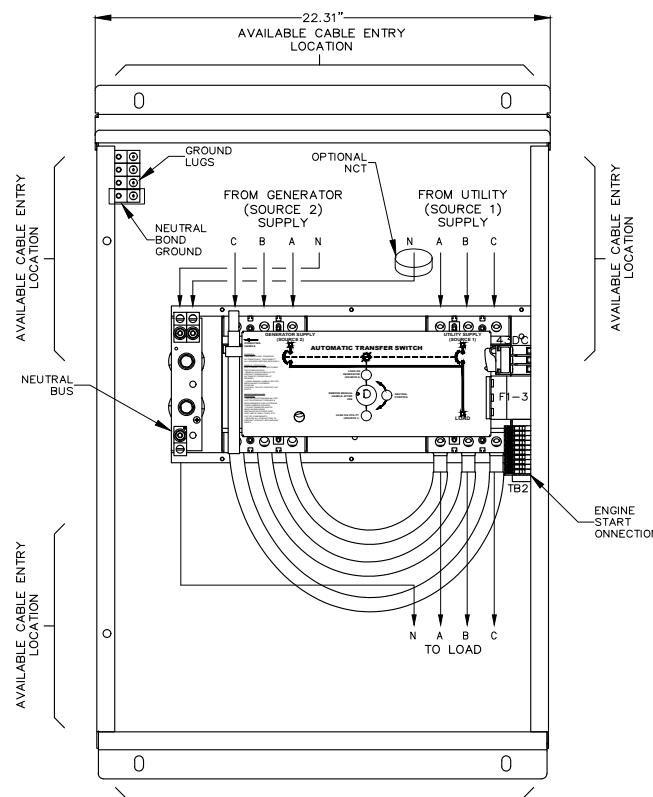


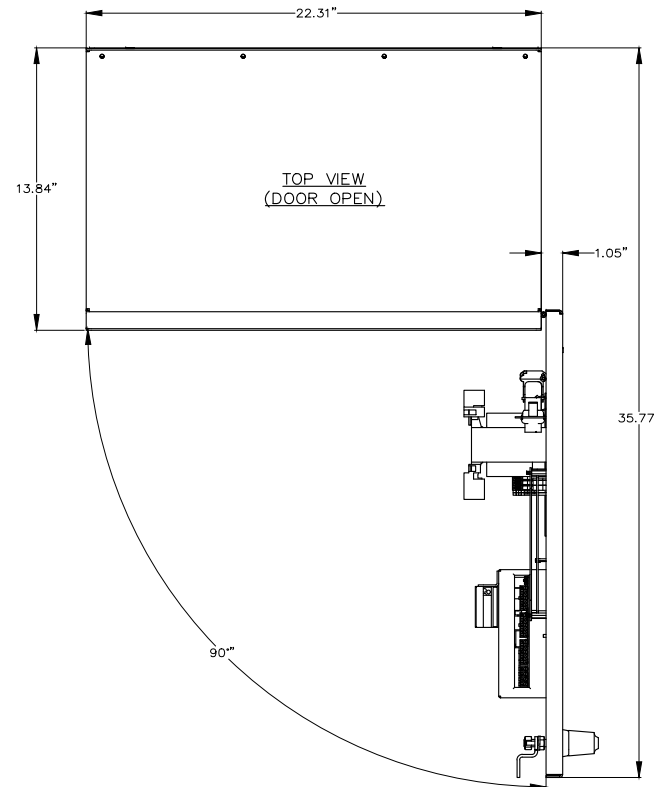
FRONT VIEW



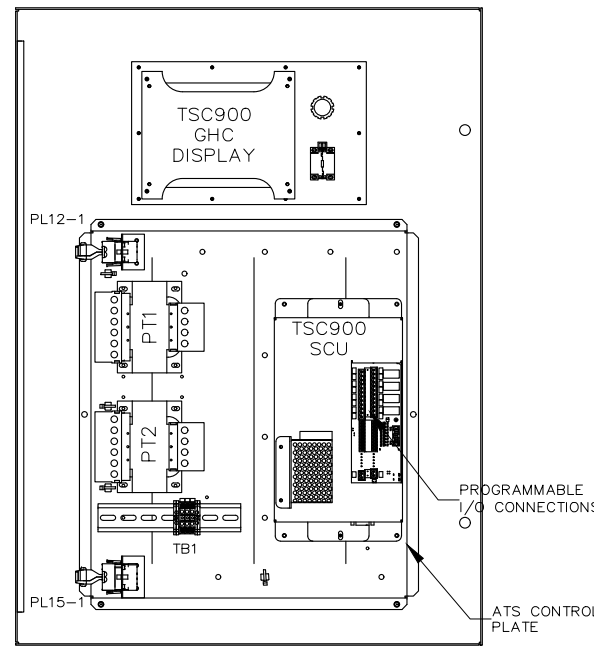
LHS VIEW
(SIDE COVER REMOVED)



INTERIOR FRONT VIEW
(DOOR NOT SHOWN)



TOP VIEW
(DOOR OPEN)



VIEWED FROM REAR
(INSIDE) OF DOOR

SERVICE ENTRANCE ATS – USD					
CLOSING AND INTERRUPTING RATING					
AVAILABLE AMPS (RMS)					
CLOSING & INTERRUPTING RATINGS SHOWN ARE ONLY FOR ATS UTILITY AND/OR GENERATOR POWER SWITCHING DEVICE(S) THAT ARE FACTORY SUPPLIED WITH INTEGRAL OVERCURRENT PROTECTION. PLEASE REFER TO PRODUCT INSTRUCTION MANUAL FOR FURTHER INFORMATION ON UPSTREAM PROTECTION REQUIREMENT.					
BASIC MODEL TS87xA	MAX. VOLTAGE	RATED CURRENT (A)	NO UPSTREAM OVERCURRENT PROTECTION REQUIRED		
			Ø240V	Ø480V	Ø600V
TS 87xA-100	600	100	65,000	25,000	14,000
TS 87xA-150	600	150	65,000	25,000	14,000
TS 87xA-200	240	200	65,000	N/A	N/A

STANDARD ATS – GSD					
CLOSING AND WITHSTAND RATING					
AVAILABLE AMPS (RMS)					
CLOSING & WITHSTAND RATINGS SHOWN ARE ONLY FOR ATS UTILITY AND/OR GENERATOR POWER SWITCHING DEVICE(S) THAT ARE NOT FACTORY SUPPLIED WITH INTEGRAL OVERCURRENT PROTECTION. PLEASE REFER TO PRODUCT INSTRUCTION MANUAL FOR FURTHER INFORMATION ON UPSTREAM PROTECTION REQUIREMENT.					
BASIC MODEL TS87xA	MAX. VOLTAGE	RATED CURRENT (A)	NO UPSTREAM OVERCURRENT PROTECTION REQUIRED		
			Ø240V	Ø480V	Ø600V
TS 87xA-100	600	100	65,000	25,000	18,000
TS 87xA-150	600	150	65,000	25,000	18,000
TS 87xA-200	240	200	65,000	N/A	N/A

CONNECTION DATA			
100A ATS	UTILITY (SRC1)	1C, #14-1/0 Cu/Al PER PHASE	
	GENERATOR (SRC2)	1C, #14-1/0 Cu/Al PER PHASE	
	LOAD	1C, #14-1/0 Cu/Al PER PHASE	
	NEUTRAL	1C, #14-2/0 Cu/Al PER SOURCE	
150A ATS	UTILITY (SRC1)	1C, #2-4/0 Cu/Al PER PHASE	
	GENERATOR (SRC2)	1C, #2-4/0 Cu/Al PER PHASE	
	LOAD	1C, #2-4/0 Cu/Al PER PHASE	
	NEUTRAL	1C, #14-2/0 Cu/Al PER SOURCE	
200A ATS	UTILITY (SRC1)	1C, #6-350MCM Cu/Al PER PHASE	
	GENERATOR (SRC2)	1C, #6-350MCM Cu/Al PER PHASE	
	LOAD	1C, #6-350MCM Cu/Al PER PHASE	
	NEUTRAL	1C, #6-350MCM Cu/Al PER SOURCE	
GROUND			3C, #14-2/0 Cu/Al

- GENERAL NOTES**
- POWER SWITCHING DEVICES ARE MECHANICALLY INTERLOCKED SO THAT ONLY ONE DEVICE IS CLOSED AT A TIME
 - ENCLOSURE FINISH : ASA #61 GREY
 - REFER PROJECT SPECIFIC OPTIONS LIST FOR SELECTED ENCLOSURE TYPE

2.5" x 5"

⚠ DANGER PELIGRO

Arc Flash and Shock Hazard
Will cause severe injury or death. More than one live circuit - see diagram. Disconnect all sources of supply before working. This equipment must be installed and serviced only by qualified electrical personnel utilizing safe work practices and appropriate Personal Protective Equipment (PPE). Failure to comply may result in injury or death! Refer to NFPA 70E for minimum PPE requirements.

Risque d'Arc Électrique et d'Électrocution
Peut causer des blessures graves ou la mort. Plus d'un circuit sous tension - voir schéma. Couper toutes les sources d'alimentation avant de faire l'entretien et les réparations. Ce matériel doit être installé et entretenu uniquement par un électricien qualifié. Ce dernier doit connaître les pratiques de travail sécuritaires et porter l'équipement de protection individuelle approprié. Le non respect peut entraîner des blessures ou la mort! Reportez-vous à NFPA 70E pour le manuel des exigences minimales PPE.

Riesgo de Arco y Choque Eléctrico
Se causarán lesiones graves o muerte. Más de un circuito energizado - ver diagrama. Desconectar todas las fuentes de suministro antes de hacer mantenimiento. Este equipo solo se debe instalar y mantener por personal calificado, usando medidas de seguridad y equipo de protección personal adecuado. No seguir estas recomendaciones puede causar lesiones o muerte. Consulte a NFPA 70E para los requisitos mínimos del equipo de protección personal (PPE).

QTY = 1

FOIL LABEL
BLACK LETTERS ON SILVER BACKGROUND

WARNING
TO ENSURE SAFETY OF PERSONNEL DOOR MUST BE LOCKED CLOSED WHEN USING THE "SERVICE DISCONNECT" SWITCH TO ISOLATE LOAD CIRCUITS. FASTEN DOOR SECURELY WITH SCREWS BEFORE LOCKING.

QTY = 1

0.75" x 2"
(TYPICAL)
WHITE LETTERS ON BLACK BACKGROUND

SDI
SERVICE DISCONNECT

QTY = 1

43SD
SERVICE DISCONNECT
ENERGIZED TRANSFER NEUTRAL DISCONNECT

QTY = 1

APPROVED FOR CONSTRUCTION
 MASTER COPY REFERENCE COPY OF _____
 MULTIPLE UNIT WORK ORDER
 RELEASED FOR INFORMATION
 AUTH. BY: _____ DATE: _____

CROSS REFERENCE LEGEND		SHEET No.		DRAWING No.		REFERENCE DRAWINGS		No.		REVISIONS		BY/AUTH		DATE	
SOC-C-1		GRID COORDINATE													



**AUTOMATIC TRANSFER SWITCH
MODEL TS 870**
 PHYSICAL LAYOUT & INSTALLATION DETAILS
 100-200A, 2P/3P, NEMA 1/2/12/3R, SINGLE DOOR, SE

DRAWINGS AND/OR OTHER TECHNICAL INFORMATION SUPPLIED BY THOMSON POWER SYSTEMS AS A PART OF A SALE OF EQUIPMENT ARE FOR THE PURCHASER'S USE SOLELY IN CONJUNCTION WITH THAT EQUIPMENT, UNLESS SPECIFICALLY AGREED TO OTHERWISE AS A PART OF THE TERMS OF SALE.

CUSTOMER THOMSON POWER SYSTEMS			
CUSTOMER ORDER No. C-XXXXXX	WORK ORDER No. W-XXXXXX		
DRAWN BY AP	AUTH BY OG	DATE 16-01-26	REV 0
DRAWING/FILE No. MCS870M200			SHEET 10A