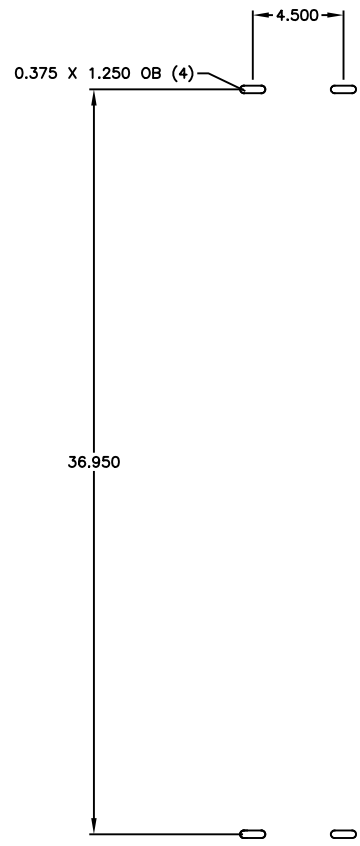


4

3

2

1



HOLE DRILLING DETAIL

- NOTES:
1. CONSTRUCTION: FORMED AND WELDED HOT ROLLED STEEL
 2. ALL PARTS BLASTED
 3. FINISH: POWDER COAT WHITE
DOOR POWDER COAT WHITE
 4. ALL DIMENSIONS +.125
 5. EQ-706 LABEL ONLY APPLICABLE WHEN BOX IS CHECKED
 6. CUL 6M86

- ① AC
2.00" QUICK DETACHABLE ANGLE CHECK COUPLING WITH DUST PLUG
- ② BV
2.00" NPT. MANUAL BALL VALVE

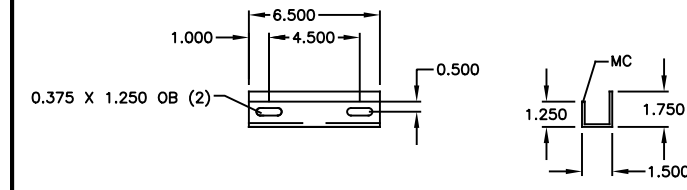
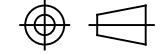
☑ EQ-706 LABEL SEE NOTE 5

SIMPLEX

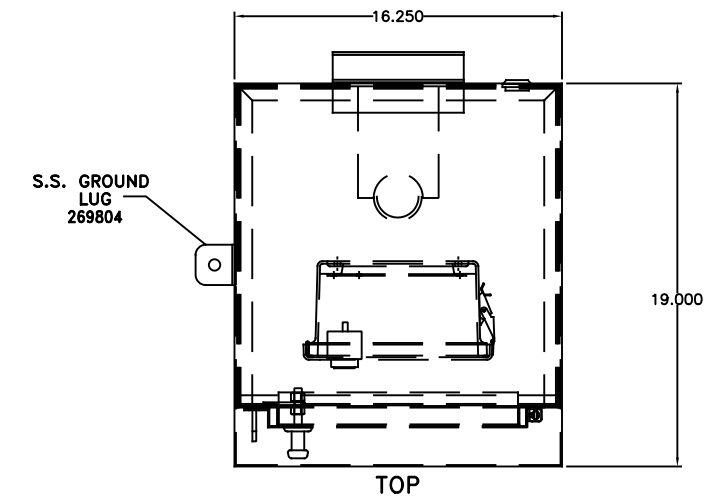
SIMPLEX, INC.
5300 RISING MOON ROAD
SPRINGFIELD, ILLINOIS 62711-6228

THE INFORMATION HEREON IS THE PROPERTY OF SIMPLEX, INC. AND/OR ITS SUBSIDIARIES. WITHOUT WRITTEN PERMISSION ANY COPYING, TRANSMITTAL TO OTHERS AND USE EXCEPT THAT FOR WHICH IT IS LOANED IS PROHIBITED.
© 2017 SIMPLEX, INC.
ALL RIGHTS RESERVED

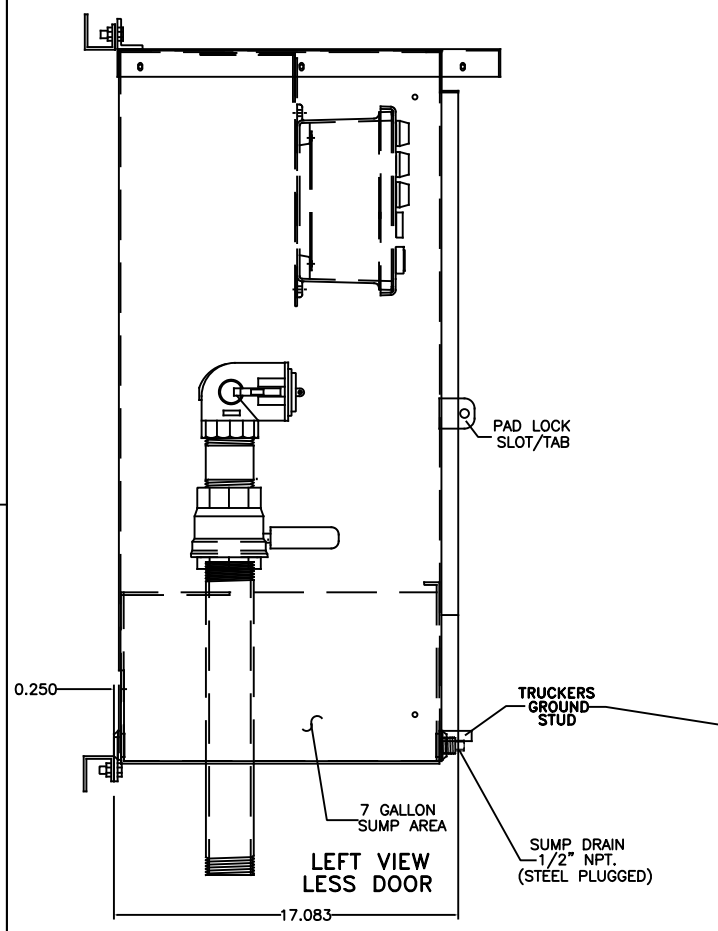
THIRD ANGLE PROJECTION



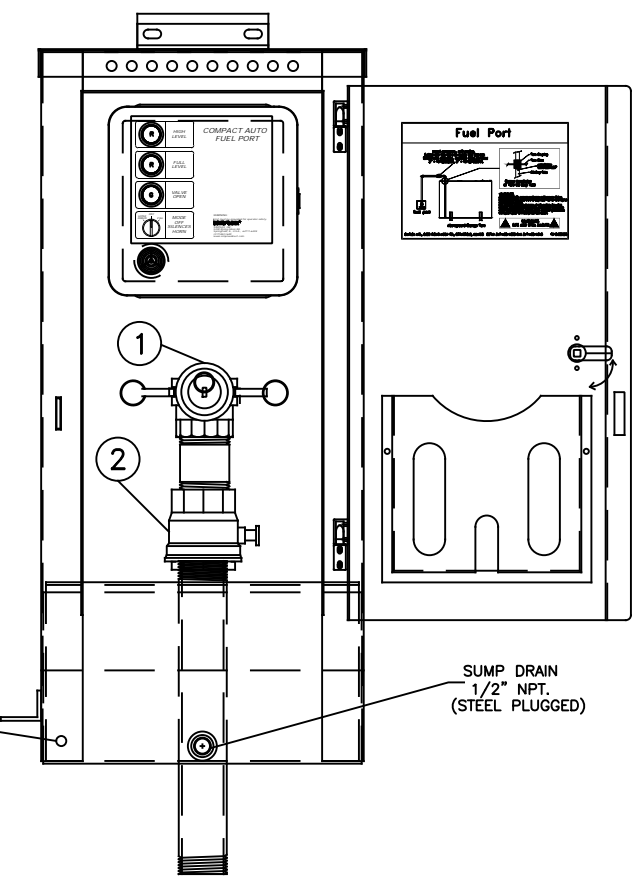
TANK MOUNTING FLANGE DETAIL



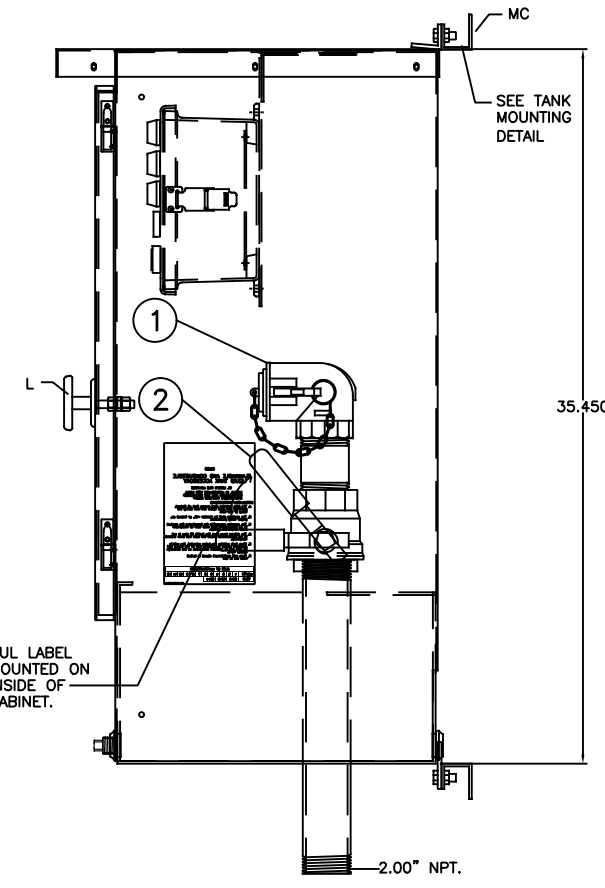
TOP



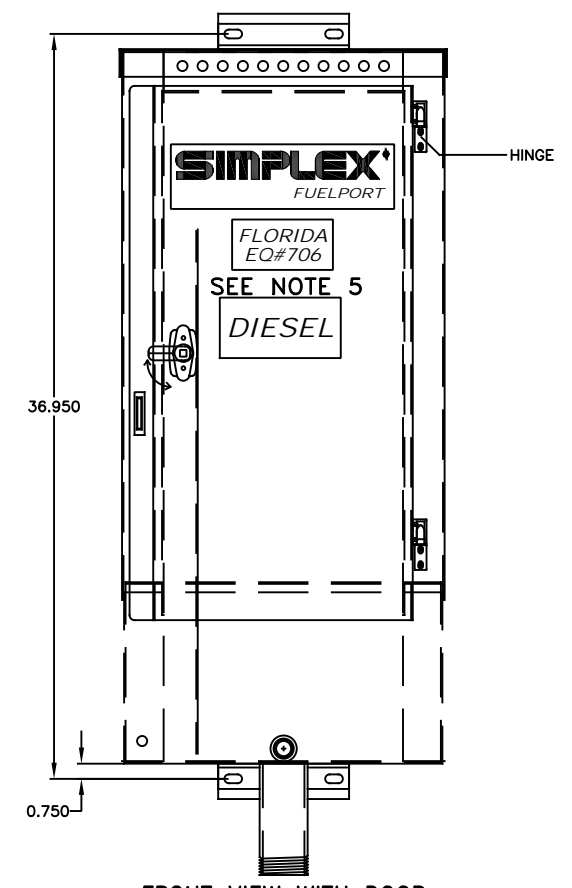
LEFT VIEW LESS DOOR



FRONT VIEW DOOR OPEN



RIGHT SIDE



FRONT VIEW WITH DOOR

REV	DATE	DESCRIPTION	INT	APPR
A		INITIAL DESIGN		
		REVISIONS & UPDATES		
		JAD		
		JAD		

TOLERANCES
 X.XXX ± 0.005"
 X.XX ± 0.010"
 X.X ± 0.020"
 FRACTIONAL ± 1/32"
 ANGLES ± 1°
 SURFACES 125

APPROVED BY: JAD
 DRAWN BY: JAD
 SCALE: 1:9.6365
 SHEET SIZE: ANSI B
 JOB NUMBER

DESCRIPTION
 CAPF-C
 PICTORIAL

Approved 12/20/2017

DRAWING NUMBER
ACD-00039046

SHEET NUMBER REVISION
1/1 A

4

3

2

1