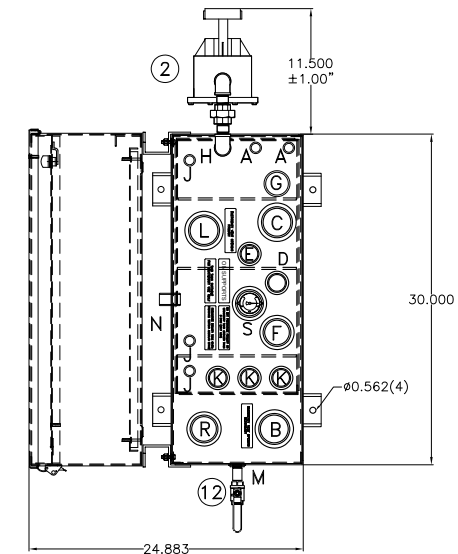


****ONLY ITEMS CHECKED ARE INCLUDED IN THE DAYTANK PACKAGE****

DUPLIX FILL				
ITEM	✓	STANDARD DAYTANK OPTIONS	PART #	QTY
1		X002- DELETION OF STD PUMP & MOTOR	NA	1
2		015- MANUAL HAND PUMP, 1"NPT, 1GAL PER STROKE	24748300	1
		SPRING CHECK VALVE, 1"NPT, BRASS	22924000	1
		BALL VALVE, 1"NPT, BRONZE	22918010	1
3		025- LOCKING MANUAL FUEL FILL CAP, 2" NPT	22108600	1
4		060- FUEL STRAINER, 'Y', BRONZE, 0.75"NPT	30049210	1
		060/087- BALL VALVE WITH FUEL STRAINER, 1"NPT	24010020	1
5		TAILPIECE, MALE, .75"NPT	24010106	1
		TAILPIECE, MALE, 1.00"NPT	24010102	1
6		063- VENT CAP, 1.5"NPT ***SHIP LOOSE***	22952000	1
7		064- EMERGENCY VENT, 2"MNPT, ALUM.	22400085	2
		COUPLING, 2.00", #150 STEEL	22444000	2
8		065- PRIMARY DRAIN HAND VALVE, .50"NPT	22918050	1
9		080B- SOLENOID VALVE, .75"NPT, 115VAC, N.C.	21704100A	1
		080C- SOLENOID VALVE, 1"NPT, 115VAC, N.C.	21704400A	1
10		087- MANUAL FUEL SHUT-OFF VALVE, 75"NPT, BRZ	22918100	1
11		180- WEATHERPROOF MODIFICATION **SEE CONTROLLER**	13817100	1
12		192- SECONDARY DRAIN HAND VALVE, .50"NPT	22918050	1
13		215- MECHANICAL DIAL LEVEL GAUGE, 23"	15040007	1
14		326- CRITICAL HIGH FUEL CUTOUT FLOAT	25242990	1
15		333- CRITICAL LOW FUEL CUTOUT FLOAT, 25"	25242971	1

ITEM	✓	STANDARD DAYTANK OPTIONS	PART #	QTY
16		345- DUPLIX FILL PUMP AND MOTOR	NA	1
17		399- 2GPM PUMP, .50" INPUT, .375" OUTPUT, ALUM.	24741020	1
		404- 4GPM PUMP, .50" INPUT, .375" OUTPUT, ALUM.	24741050	1
		407- 7GPM PUMP, .75" INPUT, .50" OUTPUT, ALUM.	24743100	1
		410- 10GPM PUMP, .75" INPUT, .50" OUTPUT, ALUM.	24747250	1
		502- 2GPM PUMP, .50" INPUT/OUTPUT, CAST IRON	24740002	1
		505- 5GPM PUMP, .75" INPUT/OUTPUT, CAST IRON	24740005	1
		507- 7GPM PUMP, 1.00" INPUT/OUTPUT, CAST IRON	24740007	1
		600- .33HP, 115VAC, 1PH, 60HZ, ODP, .625" SHAFT	24626100A	1
		645- .33HP, 115VAC, 1PH, 60HZ, TEFC, .625" SHAFT	24626106	1
	18		700- .50HP, 115VAC, 1PH, 60HZ, ODP, .625" SHAFT	24630000A
		745- .50HP, 115VAC, 1PH, 60HZ, TEFC, .625" SHAFT	24631000A	1
		845- .75HP, 115VAC, 1PH, 60HZ, TEFC, .625" SHAFT	24636500A	1
		191- SECONDARY CONTAINMENT LEAK FLOAT	60000084	1
20		STANDARD LEVEL FLOATSWITCH ASSEMBLY, 25"	25242970	1
		STS 25 DAY TANK	70000025	1
		STANDARD SUBPANEL	70001000	1
		SRS CONTROL PCB	50001601	1
21		070A- CHECK VALVE, .75"NPT, BRONZE	22923501	AR

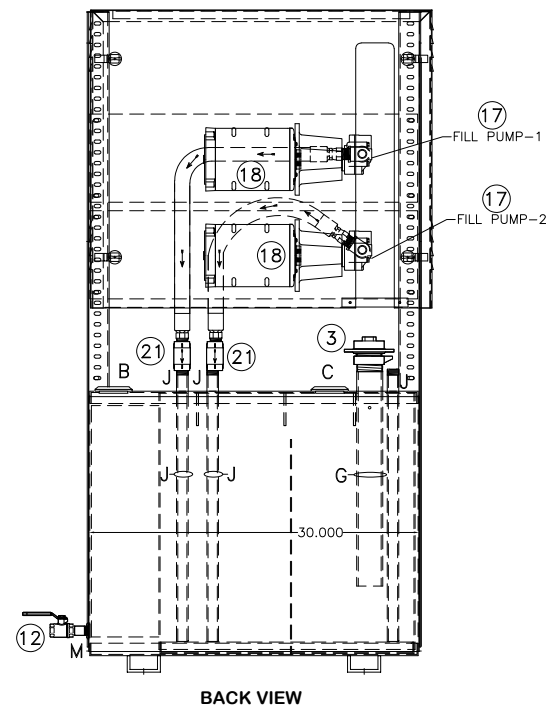
PORT	DESCRIPTION	SIZE
A	ENGINE SUPPLY DROP TUBE - (QTY. 2) (1.000 CLEARANCE TO BOTTOM)	0.75" NPT, MALE
B	SECONDARY CONTAINMENT E-VENT	2.00" NPT, FEMALE
C	OVERFLOW PORT	2.00" NPT, FEMALE
D	ENGINE RETURN PORT	1.00" NPT, FEMALE
E	EXTRA PIPE FLANGE	1.00" NPT, FEMALE
F	TANK VENT PORT	1.50" NPT, FEMALE
G	MANUAL FILL PORT W/ BLEED HOLE (6.000 CLEARANCE TO BOTTOM)	2.00" NPT, MALE
H	HAND PUMP DROP TUBE (1.000 CLEARANCE TO BOTTOM)	0.75" NPT, MALE
J	PUMP CONNECTION TO TANK (QTY. 3) (1.000 CLEARANCE TO BOTTOM)	0.75" NPT, MALE
K	FLOATSWITCH MOUNTING PORT (QTY. 3)	1.00" NPT, FEMALE
L	PRIMARY TANK EMERGENCY VENT	2.00" NPT, FEMALE
M	SECONDARY TANK DRAIN PORT	0.50" NPT, FEMALE
N	PRIMARY TANK DRAIN	0.50" NPT, FEMALE
R	LEAK SENSOR PORT	1.50" NPT, FEMALE
S	EXTRA PORT/MECHANICAL DIAL LEVEL GAUGE	1.50" NPT, FEMALE



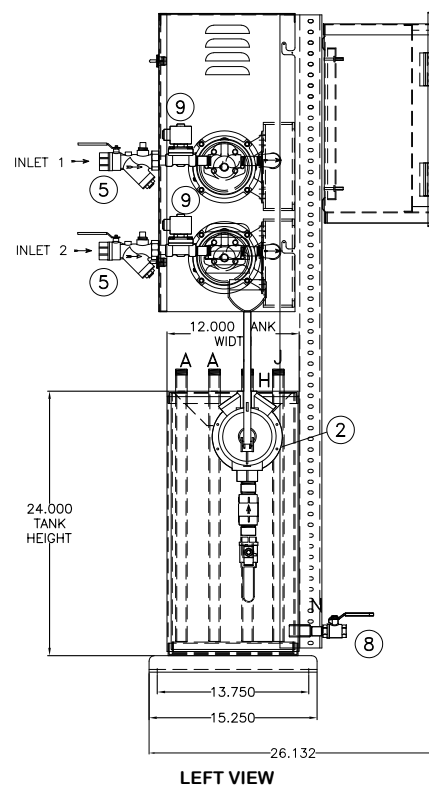
TOP VIEW

NOTES:

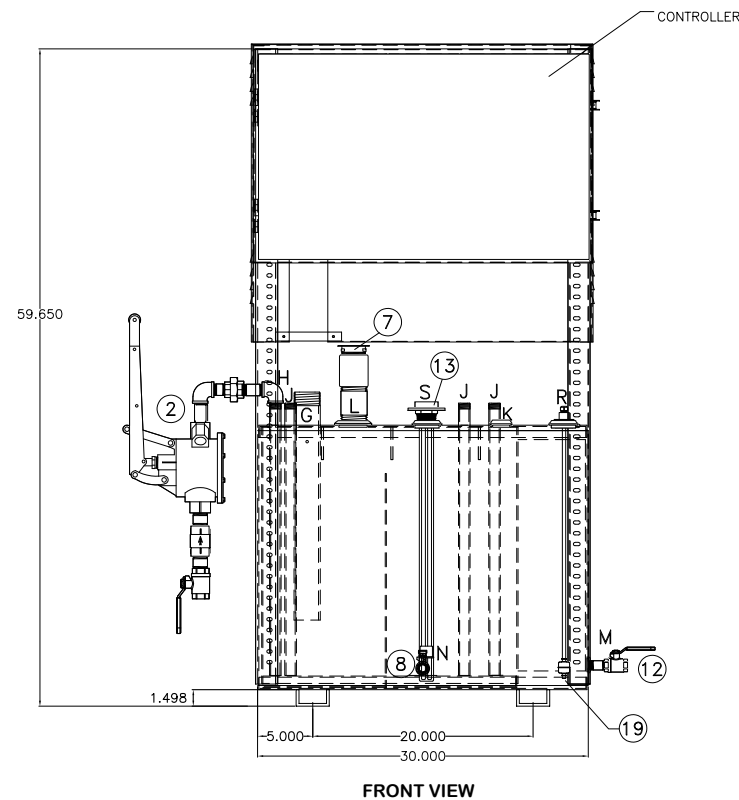
- 1) CONSTRUCTION: H.R.S.
- 2) LISTING: UL 142
- 3) RATING: ATMOSPHERIC TANK TESTED TO 3 PSI
- 4) ALL DIMENSIONS ±.125"
- 5) TANK COLOR = SIMPLEX CAROLINA VERMILLION
CONTROLLER COLOR = SIMPLEX COASTAL HAZE
- 6) SECONDARY CONTAINMENT CAPACITY 36 GALLONS.
- 7) ESTIMATED WEIGHT: 206LBS.



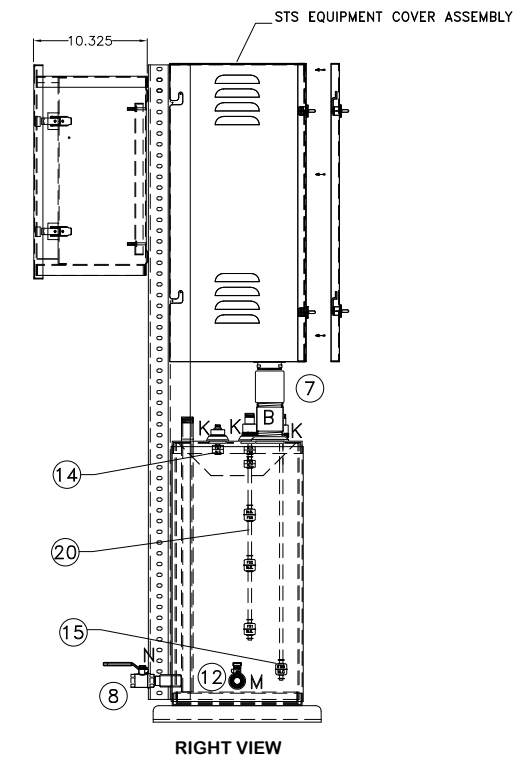
BACK VIEW



LEFT VIEW



FRONT VIEW



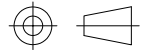
RIGHT VIEW

SIMPLEX

SIMPLEX, INC.
5300 RISING MOON ROAD
SPRINGFIELD, ILLINOIS 62711-6228

THE INFORMATION HEREON IS THE PROPERTY OF SIMPLEX, INC. AND/OR ITS SUBSIDIARIES. WITHOUT WRITTEN PERMISSION ANY COPYING, TRANSMITTAL TO OTHERS AND USE EXCEPT THAT FOR WHICH IT IS LOANED IS PROHIBITED.
© 2017 SIMPLEX, INC.
ALL RIGHTS RESERVED

THIRD ANGLE PROJECTION



REV	DATE	DESCRIPTION	REVISIONS & UPDATES										
			REV	DATE	DESCRIPTION	INT	APPR	REV	DATE	DESCRIPTION			
G	01/03/2020	Revised CV's											
F	08/01/2019	Brought up to date.											
E	10/22/2018	REVISED LEAK SENSOR FLOAT PART NUMBERS.											
D	07/24/2018	REVISED J PORTS											
C	05/07/2018	Revised OPT063 to 1.5".											
B	03/23/2018	Revised Port 'N' location, corrected motor P/N's.											
A	08/15/2017	Original Design.											

TOLERANCES
X.XXX ± 0.005"
X.XX ± 0.010"
X.X ± 0.020"
FRACTIONAL ± 1/32"
ANGLES ± 1°
SURFACES 125

APPROVED BY: LT
DRAWN BY: LT
SCALE: 1:17.1581
SHEET SIZE: ANSI B
JOB NUMBER: NA

DESCRIPTION
STS25
Technology Series Day Tank
UL142

Approved 01/03/2020

DRAWING NUMBER
ACD-00034634

SHEET NUMBER: 1/1
REVISION: G