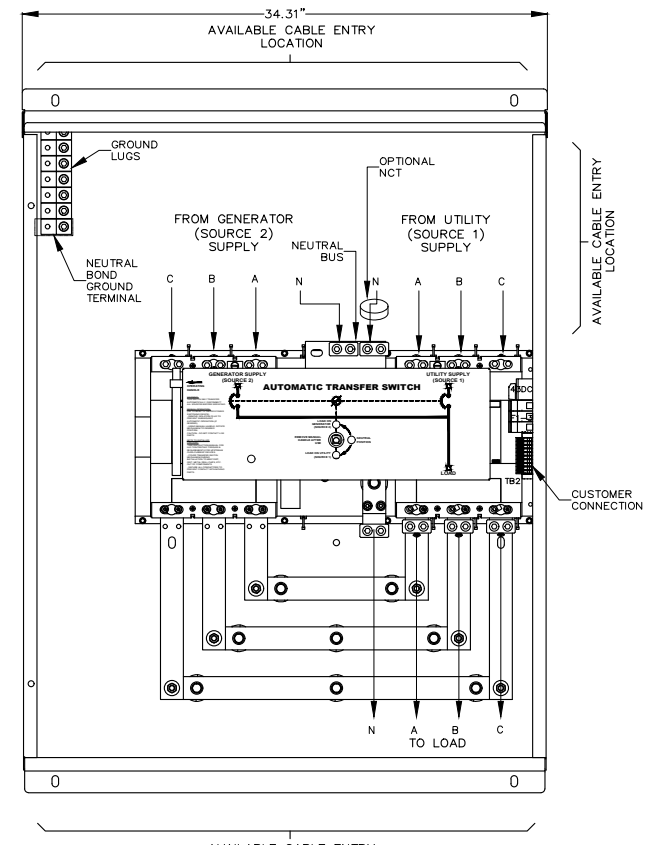
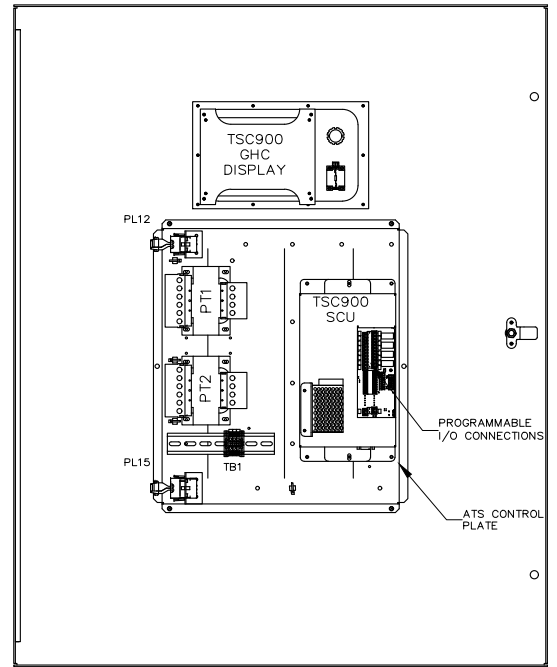


FRONT VIEW

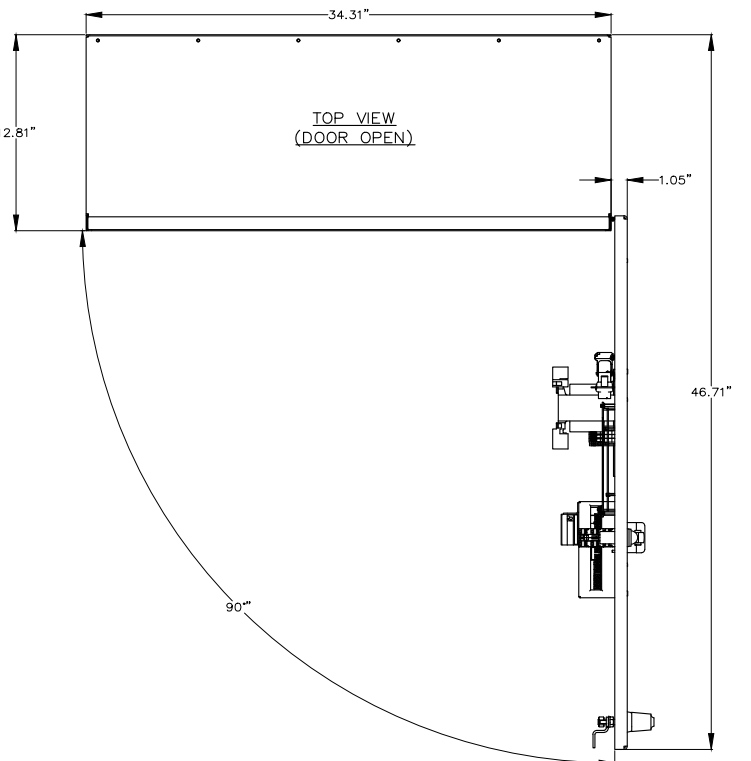
LHS VIEW (SIDE COVER REMOVED)



INTERIOR FRONT VIEW (DOOR NOT SHOWN)



VIEWED FROM REAR (INSIDE) OF DOOR



TOP VIEW (DOOR OPEN)

BASIC MODEL TS87xA	SERVICE ENTRANCE ATS – USD				
	CLOSING AND INTERRUPTING RATING				
	AVAILABLE AMPS (RMS) CLOSING & INTERRUPTING RATINGS SHOWN ARE ONLY FOR ATS UTILITY AND/OR GENERATOR POWER SWITCHING DEVICE(S) THAT ARE FACTORY SUPPLIED WITH INTEGRAL OVERCURRENT PROTECTION. PLEASE REFER TO PRODUCT INSTRUCTION MANUAL FOR FURTHER INFORMATION ON UPSTREAM PROTECTION REQUIREMENT.				
MAX. VOLTAGE	RATED CURRENT (A)	NO UPSTREAM OVERCURRENT PROTECTION REQUIRED			
TS 87xA-400	600	400	65,000	50,000	25,000

BASIC MODEL TS87xA	STANDARD ATS – GSD				
	CLOSING AND WITHSTAND RATING				
	AVAILABLE AMPS (RMS) CLOSING & WITHSTAND RATINGS SHOWN ARE ONLY FOR ATS UTILITY AND/OR GENERATOR POWER SWITCHING DEVICE(S) THAT ARE NOT FACTORY SUPPLIED WITH INTEGRAL OVERCURRENT PROTECTION. PLEASE REFER TO PRODUCT INSTRUCTION MANUAL FOR FURTHER INFORMATION ON UPSTREAM PROTECTION REQUIREMENT.				
MAX. VOLTAGE	RATED CURRENT (A)	240V	480V	600V	
TS 87xA-400	600	400	65,000	50,000	35,000

CONNECTION DATA		
UTILITY (SRC1)	1-2C, 2/0-500MCM Cu/Al PER PHASE	
GENERATOR (SRC2)	1-2C, 2/0-500MCM Cu/Al PER PHASE	
LOAD	1-2C, 2/0-500MCM Cu/Al PER PHASE	
NEUTRAL	1-2C, 2/0-500MCM Cu/Al PER SOURCE	
GROUND	6C, #6-250MCM Cu/Al	

- GENERAL NOTES**
- POWER SWITCHING DEVICES ARE MECHANICALLY INTERLOCKED SO THAT ONLY ONE DEVICE IS CLOSED AT A TIME
 - ENCLOSURE FINISH : ASA #61 GREY
 - REFER PROJECT SPECIFIC OPTIONS LIST FOR SELECTED ENCLOSURE TYPE

2.5" x 5"

⚠ DANGER PELIGRO

Arc Flash and Shock Hazard
Will cause severe injury or death. More than one line circuit diagram. Disconnect all sources of supply before servicing. This equipment must be installed and serviced only by qualified electrical personnel utilizing safe work practices and appropriate Personal Protective Equipment (PPE). Failure to comply may result in injury or death. Refer to NFPA 70E for minimum PPE requirements.

Risque d'Arc Electrique et d'Electrocution
Peut causer des blessures graves ou la mort. Plus d'un circuit sous tension - voir schéma. Couper toutes les sources d'alimentation avant de faire l'entretien et les réparations. Ce matériel doit être installé et entretenu uniquement par un électricien qualifié. Ce dernier doit connaître les protocoles de travail sécuritaires et porter l'équipement de protection individuelle approprié. Le non respect peut entraîner des blessures ou la mort! Reportez-vous à NFPA 70E pour le manuel des exigences minimales PPE.

Riesgo de Arco y Choque Eléctrico
Se causarán lesiones graves o muerte. Más de un circuito energizado - ver diagrama. Desconectar todas las fuentes de suministro antes de hacer mantenimiento. Este equipo solo se debe instalar y mantener por personal calificado, usando medidas de seguridad y equipo de protección personal adecuado. No seguir estas recomendaciones puede causar lesiones o muerte! Consultar la NFPA 70E para los requisitos mínimos del equipo de protección personal (PPE).

QTY = 1

FOIL LABEL
BLACK LETTERS ON SILVER BACKGROUND

WARNING

TO ENSURE SAFETY OF PERSONNEL DOOR MUST BE LOCKED CLOSED WHEN USING THE "SERVICE DISCONNECT" SWITCH TO ISOLATE LOAD CIRCUITS. FASTEN DOOR SECURELY WITH SCREWS BEFORE LOCKING.

QTY = 1

0.75" x 2" (TYPICAL)
WHITE LETTERS ON BLACK BACKGROUND

SERVICE DISCONNECT

QTY = 1

SERVICE DISCONNECT

TRANSFER ENERGIZED NEUTRAL DISCONNECTED

QTY = 1

APPROVED FOR CONSTRUCTION
 MASTER COPY REFERENCE COPY OF _____
 MULTIPLE UNIT WORK ORDER
 RELEASED FOR INFORMATION
 AUTH. BY: _____ DATE: _____

CROSS REFERENCE LEGEND		DRAWING No.		REVISIONS		BY/AUTH		DATE	
SOC-C-1	GRID COORDINATE								
	SHEET No.								



AUTOMATIC TRANSFER SWITCH
 MODEL TS 870
 PHYSICAL LAYOUT & INSTALLATION DETAILS
 400A, 2P/3P, NEMA 1/2/12/3R, SINGLE DOOR, SE

DRAWINGS AND OR OTHER TECHNICAL INFORMATION SUPPLIED BY THOMSON POWER SYSTEMS AS A PART OF A SALE OF EQUIPMENT ARE FOR THE PURCHASER'S USE SOLELY IN CONJUNCTION WITH THAT EQUIPMENT, UNLESS SPECIFICALLY AGREED TO OTHERWISE AS A PART OF THE TERMS OF SALE.

CUSTOMER THOMSON POWER SYSTEMS	
CUSTOMER ORDER No. C-XXXXXX	WORK ORDER No. W-XXXXXX
DRAWN BY AP	DATE 16-01-26
AUTH BY OG	REV 0
DRAWING/FILE No. MCS870M224	SHEET 10A