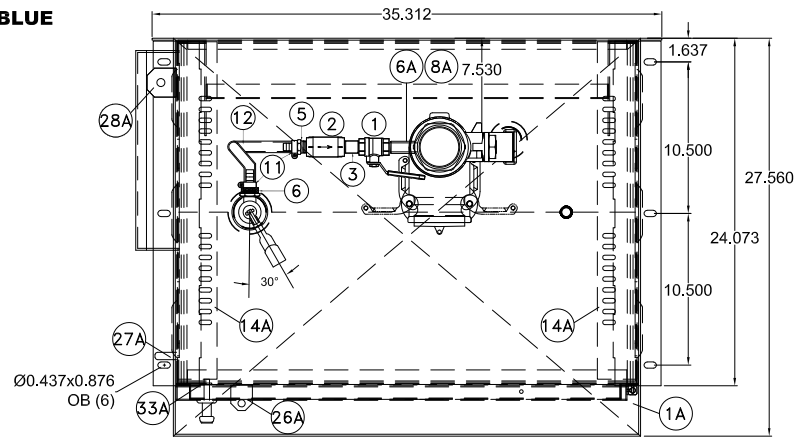


FFP-3 FULL SIZE FUEL PORT 3" (NON-STOCK/NON-PART NUMBER)  
\*\*CUSTOMER/PRODUCTION DRAWING\*\*

STD. FILLING SYSTEM DRAWING  
 NON-STD. FILLING SYSTEM DRAWING

- NOTES
- 1) ALL DIMENSIONS ±.125
  - 2) DUE TO SYSTEM COMPLEXITY SOME COMPONENTS MAY NOT BE VISIBLE IN ALL VIEWS
  - 3) CONSTRUCTION WELDED 14 GA. H.R.S.
  - 4) CABINET COLOR: **WHITE** DOORS COLOR: **BLUE**
  - 5) APPROXIMATE WEIGHT: 330lbs.



TOP VIEW LESS LOUVER COVERS

FUEL ASSEMBLY PARTS (FLOOR STOCK)			
ITEM	DESCRIPTION	PART NUMBER	QTY.
1	BV1 0.50" NPT. MANUAL BALL VALVE, FULL PORT, BRASS/BRONZE BODY	22918050	2
2	CV 0.50" NPT. CHECK VALVE, SPRING TYPE, BRONZE W/ VITON O-RING	22923105	1
3	NP2 0.50"x1.50" NPT. NIPPLE, SCH. 40, 304 STAINLESS STEEL, TBE	22514048	2
4	NP3 0.75"x3.00" NPT. NIPPLE, SCH. 40, 304 STAINLESS STEEL, TBE	60000102	1
5	HB1 HOSE BARB 0.50" ID BARB x 0.50" NPT. MALE THREADS, BRASS	60000159	3
6	HB2 HOSE BARB 0.50" ID BARB x GHT FEMALE THREADS, BRASS	22743000	1
7	DLN DOOR LATCH, NON-LOCKING T-HANDLE, BLACK W/ GASKET	15454500	4
8	DH DOOR HINGE 2-1/4"x19/32" #10 W/ UL GREEN SEALING WASHERS	15372001 20715025	4 8
9	SP SUMP PLUG, 0.375" NPT. HEX HEAD, 316 STAINLESS STEEL	22905600	1
10	PC PIPE CLAMP U-BOLT, STEEL FOR 3.00" PIPE, 3/8"-16 THREAD	19500001	1
11	HC HOSE CLAMP W/ STAINLESS STEEL BAND	22203000	4
12	H PCV CLEAR BRAIDED HOSE, 0.50" I.D. x 0.75" O.D.	22730001	-
13	T1 0.50" NPT. TEE, 150#, 304 STAINLESS STEEL	22533050	1
14	RB1 0.75"x0.50" NPT. REDUCER BELL, 150#, 304 STAINLESS STEEL	60000112	1

AVAILABLE PARTS (REFERENCE SALES ORDER FOR OPTIONS)

FUEL ASSEMBLY PARTS (FLOOR STOCK)			
ITEM	DESCRIPTION	PART NUMBER	QTY.
15	DL DIESEL LABEL, 6"x3"H, GREEN/WHITE	24138005	1
16	GL GAS LABEL, 6"x3"H, RED/WHITE	24138000	1
17	EQ FLORIDA EQ-481 SPILL CONTAINMENT LABEL, 5.25"Lx2.5"H, WHITE/BLACK	24055213	1

**DIESEL** 15

**GAS** 16

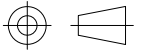
**Florida Eq-481** 17



SIMPLEX, INC.  
5300 RISING MOON ROAD  
SPRINGFIELD, ILLINOIS 62711-6228

THE INFORMATION HEREON IS THE PROPERTY OF SIMPLEX, INC., AND/OR ITS SUBSIDIARIES. WITHOUT WRITTEN PERMISSION ANY COPYING, TRANSMITTAL TO OTHERS AND USE EXCEPT THAT FOR WHICH IT IS LOANED IS PROHIBITED.  
© 2019 SIMPLEX, INC.  
ALL RIGHTS RESERVED.

THIRD ANGLE PROJECTION



REVISIONS & UPDATES

REV	DATE	DESCRIPTION	INT	APPR
A	12/30/2019	ORIGINAL DESIGN		

TOLERANCES  
X.XXX ± 0.005"  
X.XX ± 0.010"  
X.X ± 0.020"  
FRACTIONAL ± 1/32"  
ANGLES ± 1°  
SURFACES 125

APPROVED BY: AA  
DRAWN BY: AA  
SCALE: 1:13.099  
SHEET SIZE: ANSI B  
JOB NUMBER: NA

DESCRIPTION  
FULL SIZE FUEL PORT  
FFP-3 PICTORIAL

Approved 12/30/2019

DRAWING NUMBER

ACD-00066005

SHEET NUMBER REVISION

1/1 A

D

D

C

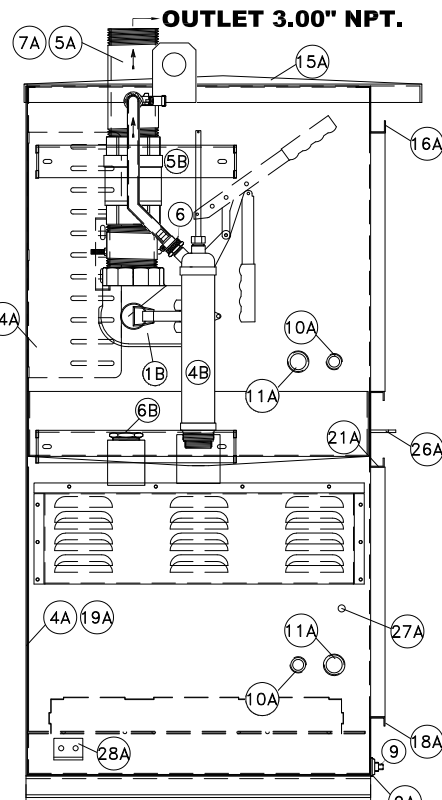
C

B

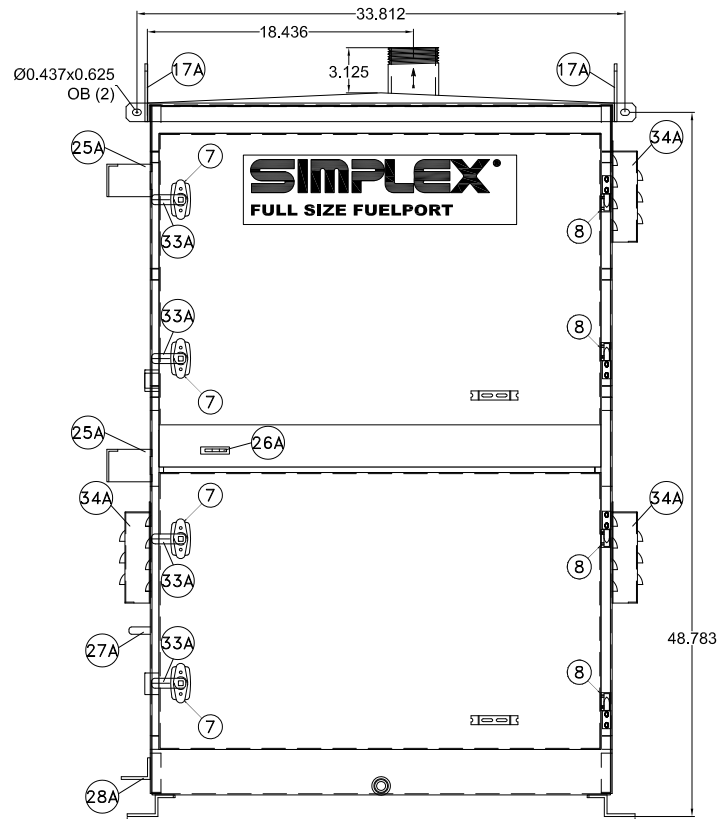
B

A

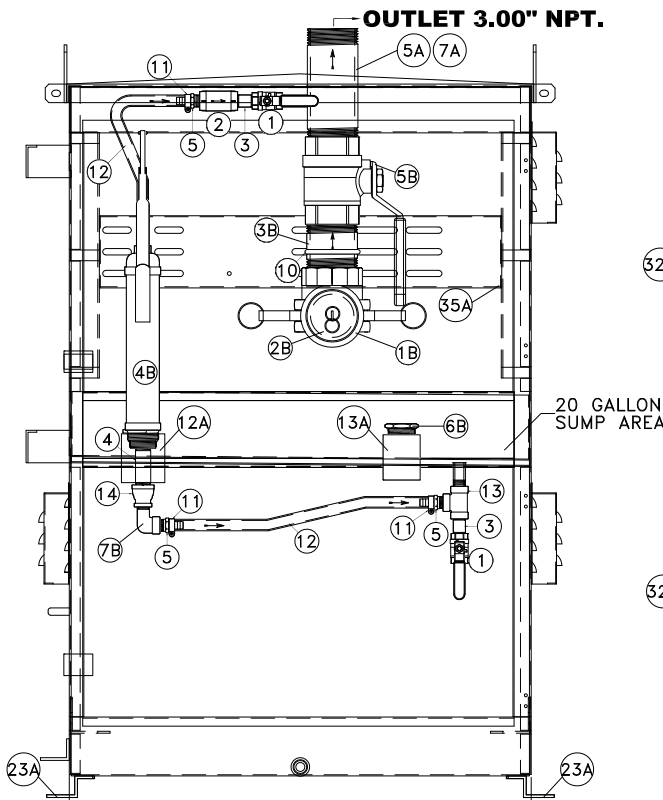
A



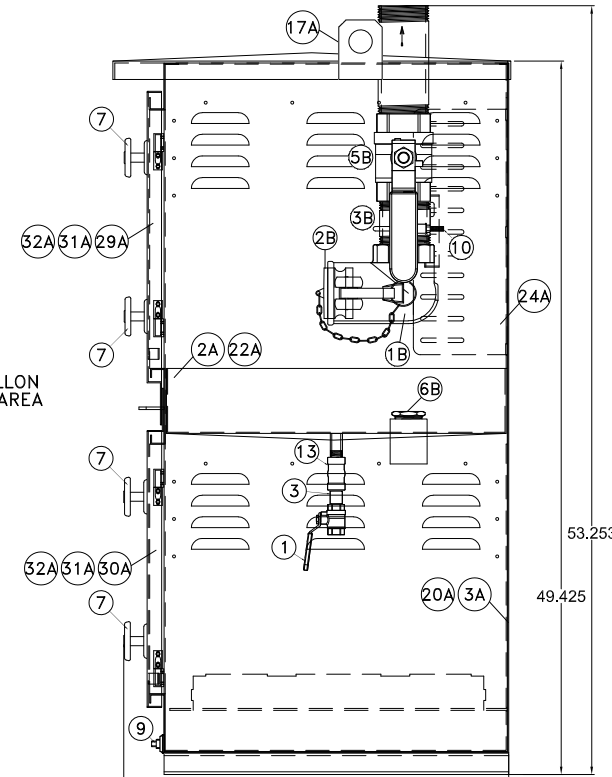
LEFT SIDE VIEW LESS DOORS



FRONT VIEW



FRONT VIEW LESS DOORS



RIGHT SIDE VIEW LESS LOUVER COVERS

FUEL ASSEMBLY PARTS (FS Assy-OPERATION 10)			
ITEM	DESCRIPTION	PART NUMBER	QTY.
1B	AC 3.00" ANGLE CHECK ELBOW COUPLER, FEMALE NPT. THREAD x COUPLER, ALUMINUM BODY W/ VITON SEAL, PART G	22919001	1
2B	DP1 DUST PLUG ADAPTER FOR 3.00" COUPLER, ALUMINUM, PART W	22440904	1
3B	N1 3.00"x4.00" NPT. NIPPLE, SCH. 40, 304 STAINLESS STEEL, TBE	60000196	1
4B	MHP MANUAL HAND PUMP, STEEL BODY W/ ALUMINUM HEAD & BASE 1-GAL. PER 9 STROKES DELIVERY RATE	24740000	1
5B	BV2 3.00" NPT. MANUAL BALL VALVE, FULL PORT, BRASS/BRONZE BODY	22919000	1
6B	P1 1.50" NPT. PLUG, HEX HEAD, 150#, 304 STAINLESS STEEL	60000203	1
7B	E1 0.50" NPT. STREET ELBOW, 90 DEGREE, 150#, 304 STAINLESS STEEL	22463360	1

FABRICATED PARTS (Weld-OPERATION 10)			
ITEM	DESCRIPTION	PART NUMBER	QTY.
7A	3.00"x8.00" NPT. NIPPLE, TBE, SCH. 40, 150#, BLK.	22517004	1
8A	0.50"x4.00" NPT. NIPPLE, TBE, SCH. 40, 150#, BLK.	22513100	1
9A	0.375" NPT. WELD FLANGE, BLK, FLAT TYPE FOR SUMP DRAIN	22602000	1
10A	0.50" NPT. CONDUIT COUPLING, 150#, BLK.	22442000	2
11A	0.75" NPT. CONDUIT COUPLING, 150#, BLK.	22442100	2
12A	2.00" NPT. PIPE COUPLING, 3000#, BLK. TAPERED ENDS	22445055	1
13A	1.50" NPT. PIPE COUPLING, 3000#, BLK. TAPERED ENDS	22445053	1
14A	FULL SIZE FILL BASE MOTOR MOUNTING CHANNEL	ACD-00056383B	2
15A	FULL SIZE FILL BASE TOP	ACD-00056372C	1
16A	FULL SIZE FILL BASE TOP HEADER	ACD-00056373B	1
17A	FULL SIZE FILL BASE LIFT EYE	ACD-00056374A	2
18A	FULL SIZE FILL BASE WRAPPER	ACD-00056371B	1
19A	FULL SIZE FILL BASE LEFT SIDE	ACD-00056376D	1
20A	FULL SIZE FILL BASE RIGHT SIDE	ACD-00056377C	1
21A	FULL SIZE FILL BASE DIVIDER SILL	ACD-00056378B	1
22A	FULL SIZE FILL BASE CONTAINMENT SINK	ACD-00056380B	1

23A	FULL SIZE FILL BASE FOOT	ACD-00056375B	2
24A	FULL SIZE FILL BASE PLUMBING SUPPORT ANGLE	ACD-00056382A	2
25A	FULL SIZE FILL BASE CONTROLLER MOUNTING CHANNEL	ACD-00056395C	2
26A	COMPACT FILL BASE PADLOCK SLOT/TAB, 7GA. H.R.S.	ACD-00053547A	1
27A	COMPACT FILL BASE STAINLESS STEEL GROUND STUD	ACD-00053548A	1
28A	FULL SIZE FILL BASE STAINLESS STEEL GROUND LUG	ACD-00056381A	1
29A	FULL SIZE FILL BASE TOP DOOR	ACD-00056384B	1
30A	FULL SIZE FILL BASE BOTTOM DOOR	ACD-00056386B	1
31A	FULL SIZE FILL BASE DOOR JIG	ACD-00056385A	2
32A	FULL SIZE FILL BASE DOOR STAY MOUNTING BRACKET	ACD-00056394A	2
33A	COMPACT FILL BASE DOOR PAWL, 2.375", GALVANIZED	ACD-00053551A	4
34A	FULL SIZE FILL BASE LOUVER COVER	ACD-00056390A	3
35A	FULL SIZE FILL BASE PLUMBING SUPPORT CHANNEL	ACD-00056391C	1