

# Foxfab Power Pedestals

## FFPP-M1 Series



The FFPP-M1 Series Power Pedestals are designed to supply marina shore power. These units are user friendly and come equipped with marine grade receptacles. Enclosures are constructed in marine grade aluminum.

### Standard Features/Specifications

- Weatherproof Type 3R Enclosure
- Marine Grade Aluminum Construction with ANSI 61 Grey Powder Coat Finish
- Floor-Mount Design
- Lockable Weatherproof Hinged Doors for Breaker and Receptacle Protection
- Marine Grade Corrosion Resistant Receptacles
- Photocell Activated LED Lighting
- 120/208/240VAC
- ETL Certified Assembly

### Options

- Type 4, 4X Enclosure
- Stainless Steel
- Custom Powder Coat Finishes
- Single/Dual Water Hose Connections
- Hose and Cable Brackets
- Telephone/Cable/High Speed Internet Connections
- Electrical/Water Metering
- Non-Illuminated

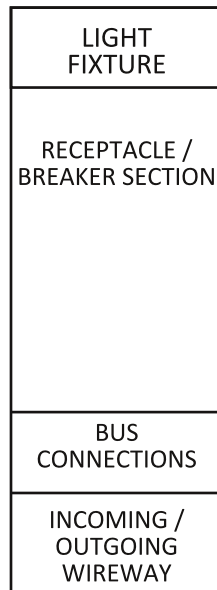
Rev 0.1

# Foxfab Power Pedestals

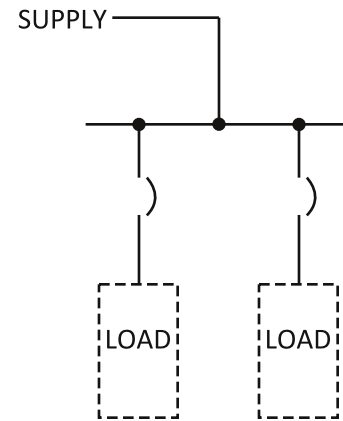
## FFPP-M1 Series



### Panel Layouts



### One-Line Diagram



### Typical Configurations

PART NO.	RECEPTACLES	BREAKER	DIMENSIONS		
			H (")	W (")	D (")
FFPP-M1-1	1 x 20A Duplex 1 x 30A 125V T.L.	1 x 20A 1P 1 x 30A 1P	44	10	10
FFPP-M1-2	1 x 20A Duplex 1 x 30A 125V T.L. 1 x 50A 125/250V T.L.	1 x 20A 1P 1 x 30A 1P 1 x 50A 2P	44	10	10
FFPP-M1-3	2 x 20A Duplex 2 x 30A 125V T.L. 2 x 50A 125/250V T.L.	2 x 20A 1P 2 x 30A 1P 2 x 50A 2P	44	10	10
FFPP-M1-4	1 x 15A GFI Duplex 2 x 50A 125/250V T.L. 1 x 100A 120/240V T.L.	1 x 15A 1P 2 x 50A 2P 1 x 100A 2P	44	10	10