

HOUSINGS

RCS/RHS Catalyst-Silencer



WHY MIRATECH RCS/RHS?

- **Twice the Performance**
 - Emissions Reductions
 - 3-Way Catalyst
 - Natural Gas Oxidation
 - Diesel Oxidation
 - Noise Control
 - RCS: 25-30 dBA
 - RHS: 30-35 dBA
- **Low Cost of Ownership**
 - First-Time Permit Certainty
 - Quick & Easy Maintenance
 - High Performance, Long Life, High Value

APPLICATIONS

- **Lean-Burn or Rich-Burn Engines**
 - 200-8000 hp
- **Natural Gas, LPG, Diesel or Dual-Fuel**
 - Gas Compression
 - Power Generation
 - Air Compression
 - Liquid or Petroleum Pumping
 - Irrigation Pumping

FEATURES & BENEFITS

- **Integrated Single-Unit Design**
 - Saves Space; Reduces Installation & Maintenance Costs
- **Trunnion Mount Designs**
 - Faster, Easier Installation & Maintenance
- **Fewer Components**
 - Reduced Part Costs
- **Flat-Top Bonnet™ Element Design, Improved Gasket Material**
 - Eliminates Blow-By & Enhances Catalyst Performance
- **Virtually Indestructible Metal-Monolith Element**
 - Patented Banding & Pinning Process
 - Superior Mechanical Strength, Thermal Durability & Handling Safety

PRODUCT ADVANTAGE

The MIRATECH RCS/RHS is a high-value catalyst-silencer combo unit for engines in the 200 to 8000 hp range. These days you need all the competitive edge you can get, and anything that saves you time, money and space is a guaranteed advantage.

INNOVATIVE DESIGN

Cost-Effective; High Performance

MIRATECH developed RCS/RHS Catalyst-Silencer Combo units for natural gas, propane and diesel stationary engines for both rich-burn or lean-burn. These better designed, better built, better value housings bring together a cost-effective, high-performance catalytic converter and a noise abatement system offering your choice of two grades of silencing. This eliminates the need for two separate units. Why pay for two systems when one will do both jobs? With a RCS/RHS, you save money from day one through simpler, faster installation and reduced mounting requirements. Then, when the RCS/RHS is up and running, you

can bank on easier, more economical, breathe-easy compliance with emission control regulations and noise reduction requirements.

Integrated single-unit design, durable fabrication, and easy maintenance access also cut servicing time. That could mean thousands of dollars in maintenance savings over the life of each unit

CONTACT MIRATECH

Quick to install and a breeze to maintain, MIRATECH sets the standard in cost-efficient catalytic performance. Call MIRATECH or get a quote from the website to find out how quickly and easily you can put the RCS/RHS or any of the MIRATECH Innovative Emissions Solutions to work for you. www.miratechcorp.com

EMISSIONS REDUCTIONS		
FUEL	REDUCTIONS	CATALYSTS
Rich-burn Natural Gas	Up to 99% NOx Up to 99% CO Up to 99% CH ₂ O Up to 90% VOCs	3-Way Catalyst
Lean-burn Natural Gas Propane or Dual-Fuel	Up to 99% CO Up to 99% CH ₂ O Up to 90% VOCs	Oxidation Catalyst for Gas Engines
Diesel	Up to 98% CO Up to 98% VOCs Up to 30% PM	Diesel Oxidation Catalyst



RCS/RHS Catalyst-Silencer Combos
Natural Gas, Propane or Diesel Mid-Sized Engines

HOUSINGS RCS/RHS Catalyst-Silencer

DESIGNED SMART; BUILT TOUGH

MIRATECH catalytic converters are better designed and better built so they work harder, longer, at less cost and with less maintenance than traditional converters. For example, MIRATECH produces catalyst elements through chemisorption catalyst impregnation. The result? Long-lasting, cost-efficient, poison-resistant performance. MIRATECH also fabricates its housings with 304 stainless while the NEXT® substrate is your assurance of superior thermal durability and mechanical strength. These combos also utilize MIRATECH's NEXT® element which uses a revolutionary substrate with cascading turbulent zones to create an element that is more efficient and durable than comparable industrial engine catalysts with a traditional open-foil design. Plus, NEXT® elements have a two-year warranty.

EMISSIONS: CONTROLLED

RCS/RHS combos use the same catalyst elements employed in the MIRATECH IQ catalytic converter. The distinctive Flat-Top Bonnet™ design, along with the NEXT substrate improved gasket material, eliminates blow-by, sagging and telescoping, and maximizes exhaust-catalyst contact, for more efficient emissions control.

The RCS/RHS brings a wide range of pollutants within compliance and keeps you on the right side of the noncompliance "fine line" by controlling carbon monoxide (CO), volatile organics (VOCs) and other hazardous air pollutants (HAPs), particulates

and soot, as well as oxides of nitrogen produced by rich-burn engines. Each unit comes with positive-seal slots for up to two catalyst elements giving you an expandable emissions control capacity. Plus, the RCS/RHS gives you a wider compliance window for Air-Fuel Ratio Control.

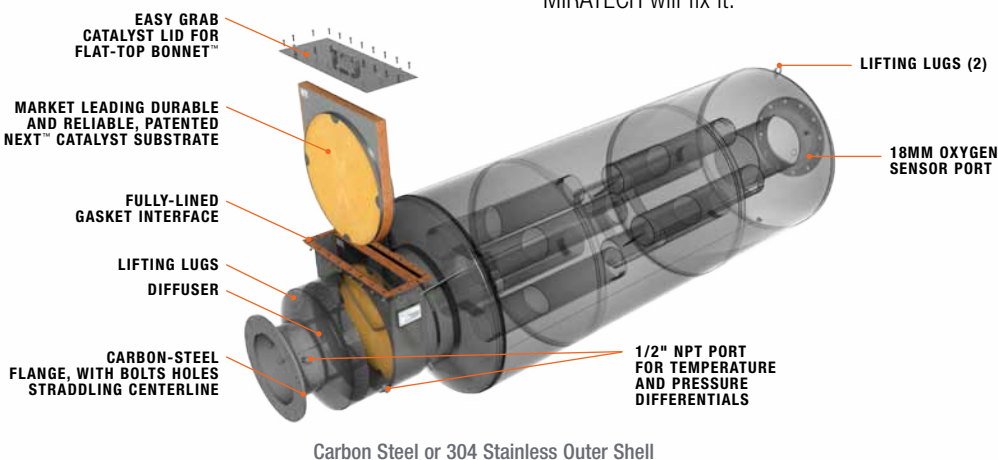


TWO LEVELS OF SILENCING

The RX Series housings give you two levels of noise abatement to choose from. RCS units cut noise by 25-30 dBA. When more noise reduction is needed, RHS units deliver as much as 30-35 dBA of silencing.

FULL SUPPORT

MIRATECH offers full support for each and every product shipped and offers professional field service, on-site training, turnkey service and technical services. If you have questions, MIRATECH will answer them. If there's a problem, MIRATECH will fix it.



Learn More: Phone · Email · Web · "The Emissions Monitor" Subscription

NSCR · SCR · DPF · Silencers · AFRC · NESHAP CPMS · Field Service · Training · Turnkey



420 South 145th East Avenue · Drop Box A
Tulsa, OK 74108 · USA · +1 918 933 6271
info@miratechcorp.com · www.miratechcorp.com

WHY MIRATECH?

- Advanced Technology
- Product Range: 20 to 20,000+ hp
- Innovative, Cost-Effective, Comprehensive Emissions Solutions
- RICE NESHAP Compliant
- Turnkey Projects
- Unsurpassed Experience & Expertise
- Fast, Responsive, Customer-Focused Service & Support
 - Prevent Non-Compliance Fines
 - Improve Engine & Catalyst Performance
 - Cut Maintenance Costs
 - Maximize Catalyst Life
- Full Service Catalyst Wash & Repair
 - 'Free Wash for Life' on Next® & Vortex® Substrates
- Project Management
- Onsite Services
 - Supervision
 - Technical
 - Skilled
- Product O&M Training
- Replacement Parts

EMISSIONS SOLUTIONS

- Catalysts
 - 3-Way
 - Oxidation (Natural Gas & Diesel)
 - HAPs
 - Selective Catalytic Reduction (SCR)
 - Urea Hydrolysis
- Housings
 - NX
 - IQ
 - CBS
 - CBL
 - Silencer Combinations
 - VX Series
 - RX Series
 - ZX Series
 - Ground Access
- Controls
 - SCR
 - Active DPF
 - Air Fuel Ratio (Rich & Lean Burn)
 - Monitors
 - RICE NESHAP
 - DPF