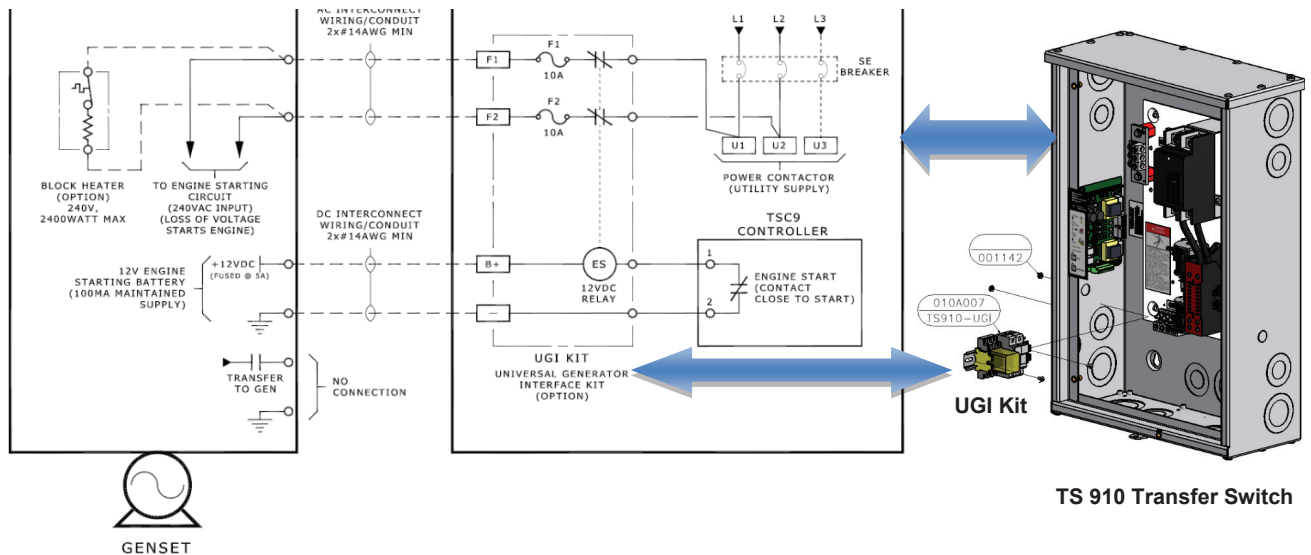


TS 910 UNIVERSAL GENERATOR INTERFACE OPTION KIT

Model Series TS 910 UGI



TS 910 Transfer Switch

THOMSON POWER SYSTEMS TS 910 UNIVERSAL GENERATOR INTERFACE KIT FEATURES:

General Description

Thomson Power Systems TS 910 Series of Automatic Transfer Switches are available with a field installable Universal Generator Interface (UGI) Option Kit which allows the Thomson Transfer Switch to be applied with almost any type of generator set used in standby power applications. The UGI kit is used on applications where the generator set starting control does not accept a standard ATS dry contact for start/stop control. The UGI kit allows generator sets with 240VAC start/stop control to be interfaced with the TS 910 series automatic transfer switch. When the UGI kit is installed, it provides fully automatic operation of the transfer switch and generator set to provide standby power when utility power fails. The UGI kit is applicable to 120/240VAC single phase or 120/208VAC 3 Phase transfer switches.

The UGI output signal operates at line to line voltage (i.e. 208VAC or 240VAC) and is provided with 10A fused output for an added benefit of allowing an engine block heater up to 2400 watts to be connected on the same control circuit. When the UGI kit is utilized, the existing generator set "transfer to generator" control signal is not required to be interconnected.

UGI Option Kit Includes:

- Interface 12Vdc control relay, 10A control fuses, interface terminal blocks and control wiring harness with quick-connectors to easily interface with the existing transfer switch.
- Instructions for UGI kit field installation.

Note: the UGI Kit does not include any external wiring from the ATS to the generator set and requires a 12Vdc engine battery starting system.

Ordering Information

TS910-UGI	Universal Generator Interface Kit
-----------	-----------------------------------

NOTE: Specifications subject to change without notice.

marathon[™]
Thomson Power Systems



9087A - 198th Street
Langley, BC Canada V1M 3B1
PH: 604-888-0110
FAX: 604-888-3381

www.thomsonps.com

©2016 Regal-Beloit Corporation CL074 REV1 16/03/07



A Regal Brand

REGAL

www.regalbeloit.com