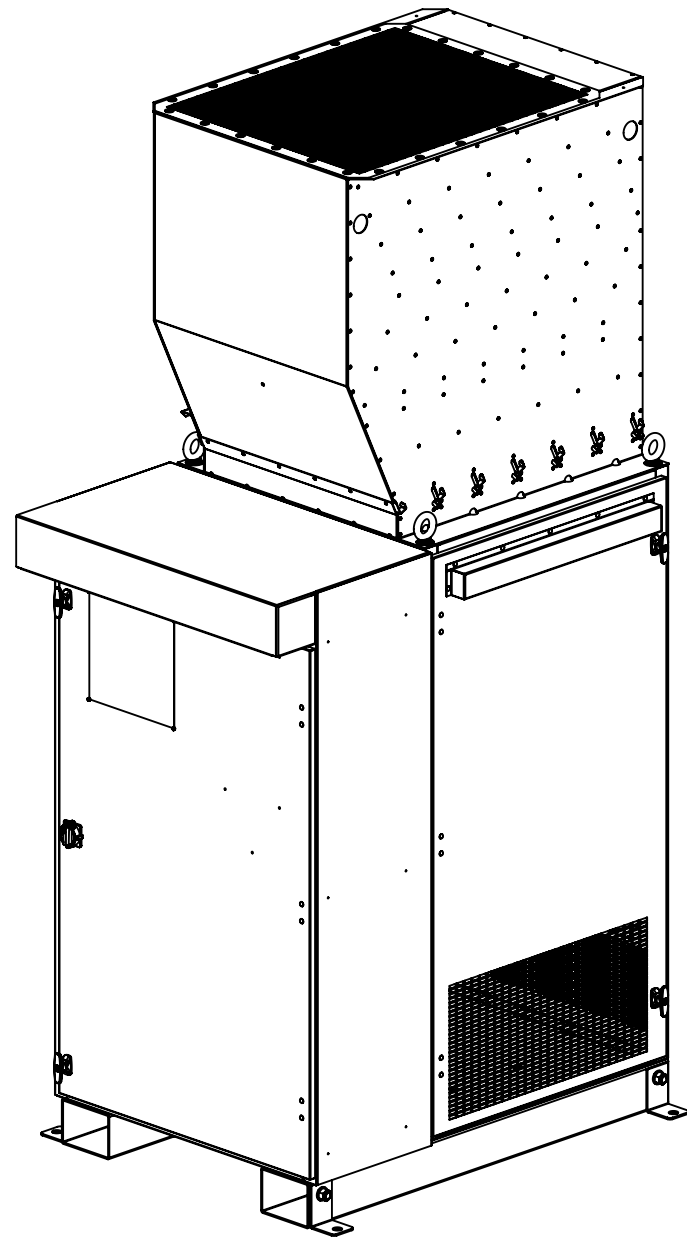


4

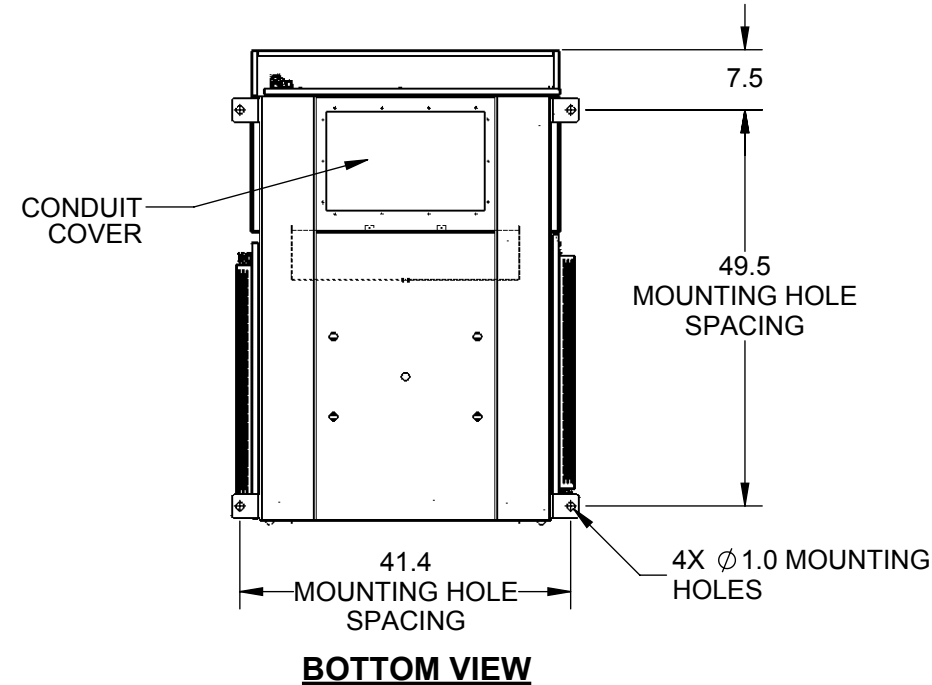
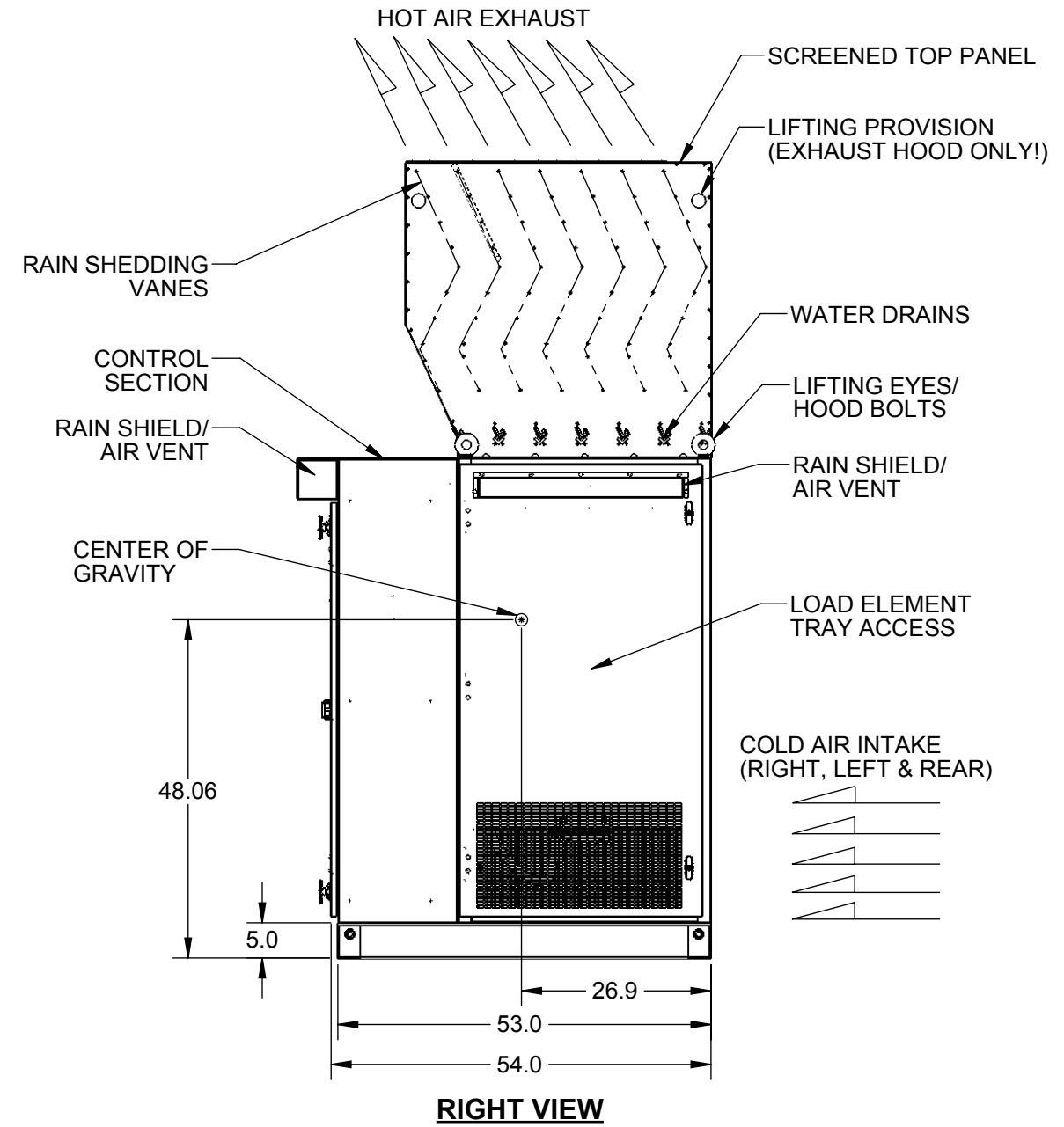
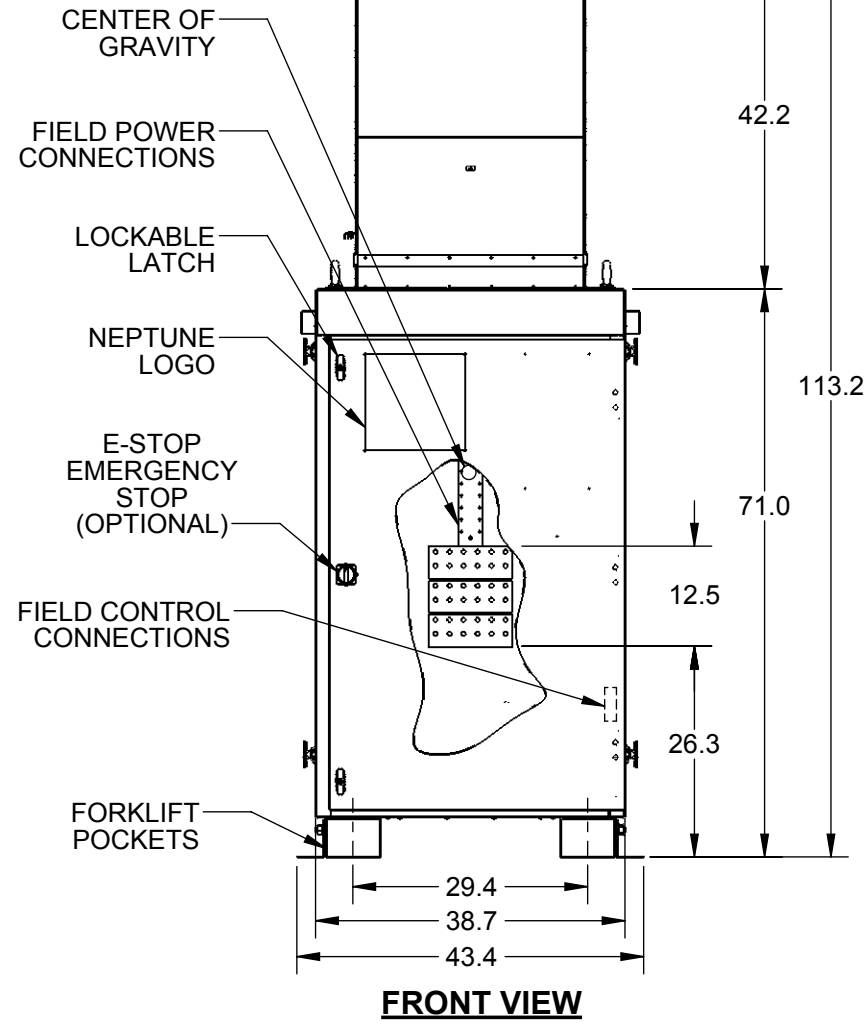
3

2

1



**ISOMETRIC VIEW
ENG REF ONLY**



NOTES:
(UNLESS OTHERWISE SPECIFIED)

- ENVIRONMENTAL TYPE - 3R UL APPROVED.
- FINISH - UL POWDER COAT DARK GRAY CABINETS & HIGH-TEMP BLACK HOOD.
- CONSTRUCTION: ALL WELDED, FORMED, STEEL FRAME, DOORS, PANELS, AND FORKLIFT TUBES.
- AIR FLOW - 12,000 CFM
- MAX INLET TEMP: 125°F
- MAX ΔT: 150°F
- MAX EXHAUST TEMP: 600°F
- APPROXIMATE WEIGHT - 1265 LBS, 915 CABINET & 350 EXHAUST HOOD.

SIMPLEX
SIMPLEX, INC.
5300 RISING MOON ROAD
SPRINGFIELD, ILLINOIS 62711-6228

THE INFORMATION HEREON IS THE PROPERTY OF SIMPLEX, INC., AND/OR ITS SUBSIDIARIES. WITHOUT WRITTEN PERMISSION ANY COPYING, TRANSMITTAL TO OTHERS AND USE EXCEPT THAT FOR WHICH IT IS LOANED IS PROHIBITED.

©2014 SIMPLEX, INC.
ALL RIGHTS RESERVED

THIRD ANGLE PROJECTION

REV	DATE	DESCRIPTION	APPR
A	07/01/2014	APPROVED FOR SUBMITTAL	SB
			PW
			INT
			APPR

Approved 07/01/2014

TOLERANCES
X.XXX ± 0.025"
X.XX ± 0.050"
X.X ± 0.100"
FRACTIONAL ± 1/16"
ANGLES ± 2.5°
SURFACES 125/

APPROVED BY:	PWC
DRAWN BY:	SB
SCALE:	1:24
SHEET SIZE:	B-SIZE
SHEET TITLE:	Sheet 1
W.O. #:	NA
WEIGHT:	1265.45 lbs

PROJECT
Neptune

PART DESCRIPTION
Assembly Neptune - Remote Pictorial

PART NUMBER
ASM-00012711

PART REVISION: **B**

DRAWING NUMBER
DWG-00016722

SHEET NUMBER	REVISION
1 / 1	A

