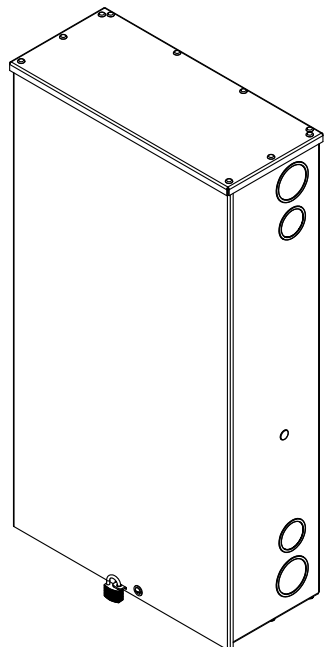
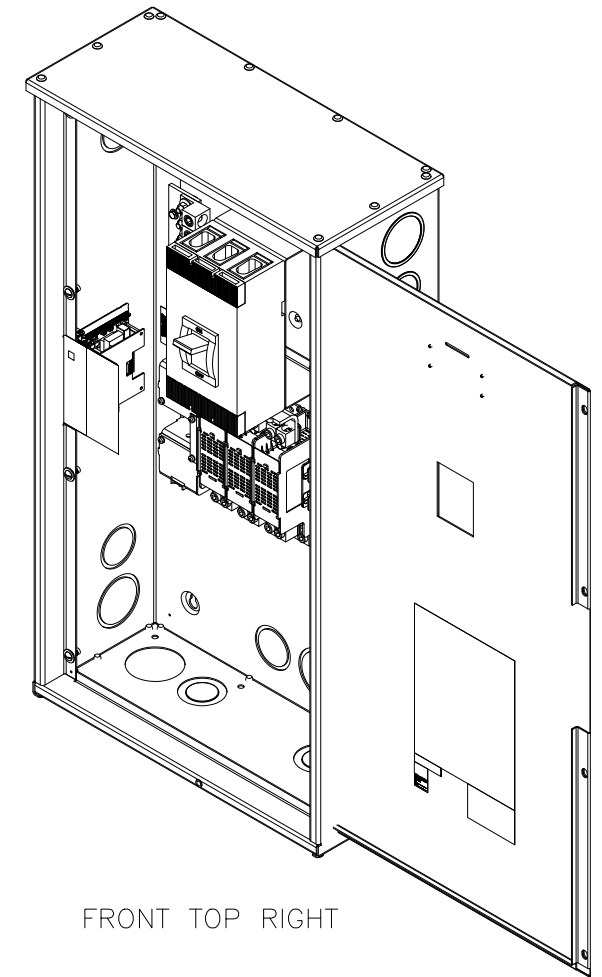
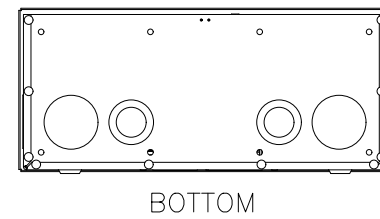
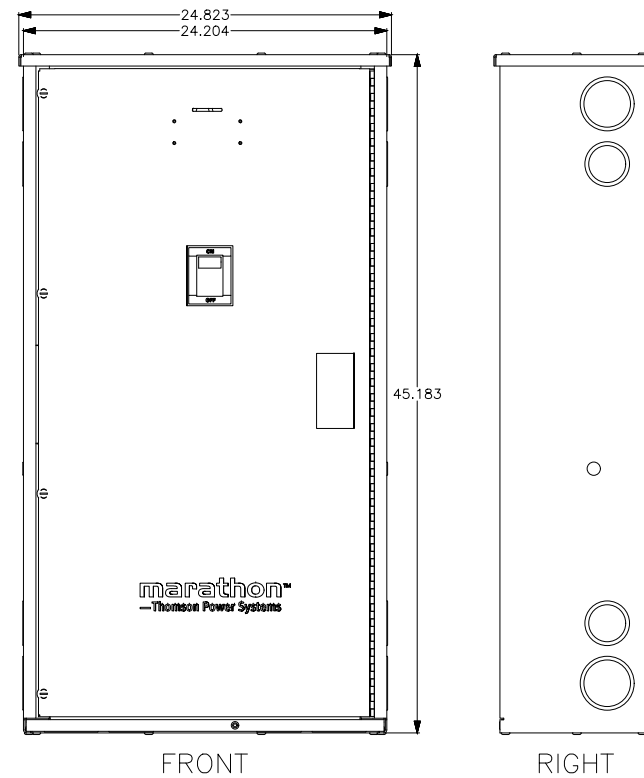
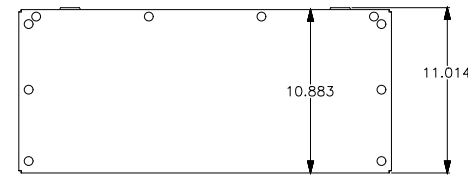
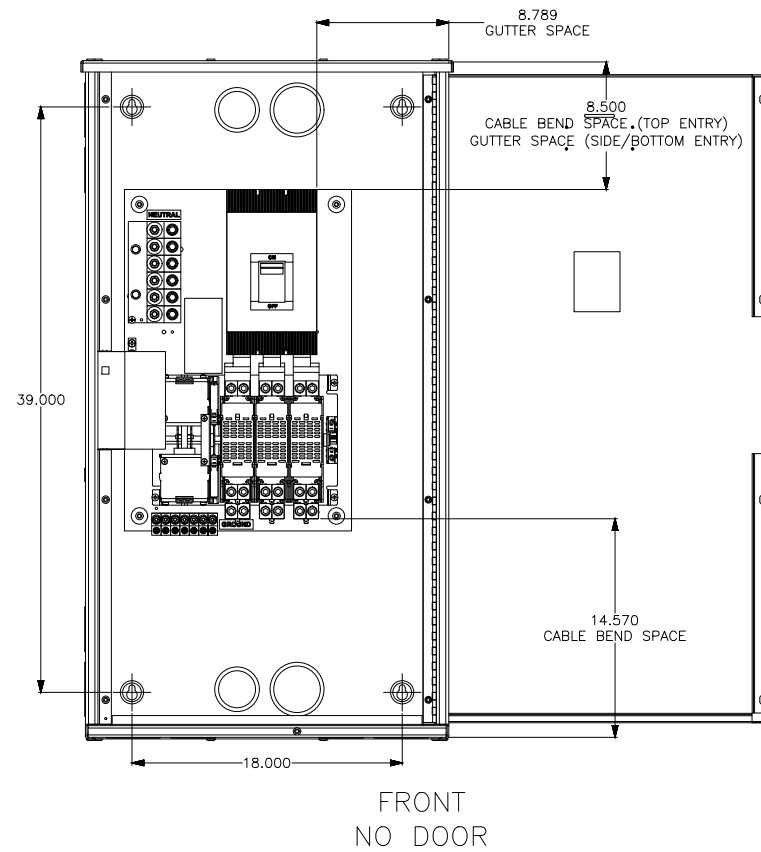


NEMA1



W/ NEMA3R OPTION



FRONT TOP RIGHT

Parts List

ITEM	QTY	PID	PART NUMB	DESCRIPTION
1	1		013E017	BACK PAN ASSEMBLY, 400A SE, 3P, 2c
2	1		209A002	CONTROLLER, TSC9, TS910
4	6	001114	0161626	SCREW, MACH, COMBO, RDH, PLT #8-32X1/4"
5	4	001130		SCREW, MACH, COMBO, TRH, 1/4"-20 X 3/4"
6	4	001155		NUT, PUSH ON-RETAINER, 1/4"
8	6	002088	1133708	WASHER, INTERNAL-TOOTH-LOCK, PLT #8
9	4	002101		WASHER, FLAT, NYLON 7/8"ODX0.257IDX1/16"
10	1	007132		DANGER ARC HAZARD LABEL
11	1	008171		LABEL, MADE IN MEXICO
12	1	008380		CONTROL ISOLATION INSTRUCTION LABEL
13	1	008384		PERFORMANCE/QUALITY VERIFIED LABEL
14	1	010815	003A053	ENCLOSURE, 400A, TS910
15	1		020J027	DOOR, HINGED, 400A, SE, 3P, TRANSFER SWITCH
16	8	011003		RIVET, BLIND, 0.1875x0.377, AL-AL
17	1	011033		NAME PLATE, TS910, HOME GUARD
20	1	011088	UL CERT	UL CERT, TS910, HOME GUARD
21	1	011122	024E020	MAIN LABEL, INNER DOOR, 400A SE, TS910
33	1	012164	024E041	LABEL, MARATHON THOMSON POWER SYSTEM, 10"

NOTES:  
 1) BOTTOM & SIDE CABLE ACCESS, MAX 250MCM 2c OR 600MCM  
 2) TOP CABLE ACCESS, MAX 3/0 2c  
 3) ELECTRICAL KNOCKOUTS FOR 2 1/2" & 3" CONDUIT

APPROVED FOR CONSTRUCTION  
 MASTER COPY  REFERENCE COPY OF \_\_\_\_\_  
 MULTIPLE UNIT WORK ORDER  
 RELEASED FOR INFORMATION  
 AUTH. BY: \_\_\_\_\_ DATE: \_\_\_\_\_

DIMENSIONS IN INCHES. [ ]=MILLIMETERS  
 CAD GENERATED DRAWING, DO NOT CHANGE MANUALLY.  
 THIRD ANGLE PROJECTION:  
 DO NOT SCALE DRAWING  
 REFER TO DRAWING #099E001 FOR TOLERANCES

2	ADDED STIFFENED DOOR	14-04-21	DJ
1	REMOVED PACKAGING FROM MODEL, SCN822	12-11-15	TL

**marathon™**  
 Thomson Power Systems

400A 3P 2C SERVICE ENTRANCE RESIDENTIAL  
 TRANSFER SWITCH WITH POWER CONTACTOR  
 TS923A0400B  
 ATS, 400A, NEMA 1SD/3RDD, SE, 2c, 3P, PC

PART ID/ WORK ORDER NUMBER			
TS923A0400B			
DRAWN BY DJ	AUTH BY	DATE CREATED 12-03-15	REV 2
DRAWING/FILE No. 211A035			SHEET 1 / 4