

4

3

2

1

SIMPLEX

SIMPLEX, INC.
5300 RISING MOON ROAD
SPRINGFIELD, ILLINOIS 62711-6228

THE INFORMATION HEREON IS THE PROPERTY OF SIMPLEX, INC., AND/OR ITS SUBSIDIARIES. WITHOUT WRITTEN PERMISSION ANY COPYING, TRANSMITTAL TO OTHERS AND USE EXCEPT THAT FOR WHICH IT IS LOANED IS PROHIBITED.
©2013 SIMPLEX, INC.
ALL RIGHTS RESERVED

THIRD ANGLE PROJECTION

REV	DATE	DESCRIPTION	INT	APPR
A	03/25/2014	drawn for submittal		JLW

TOLERANCES
X.XXX ± 0.005"
X.XX ± 0.010"
X.X ± 0.020"
FRACTIONAL ± 1/32"
ANGLES ± 1°
SURFACES 125/√

APPROVED BY: JLW
DRAWN BY: PWC
SCALE: 1:30
SHEET SIZE: B-SIZE
SHEET TITLE: Submittal
W.O. #: NA
WEIGHT: 2700 lbs

PROJECT
Mars

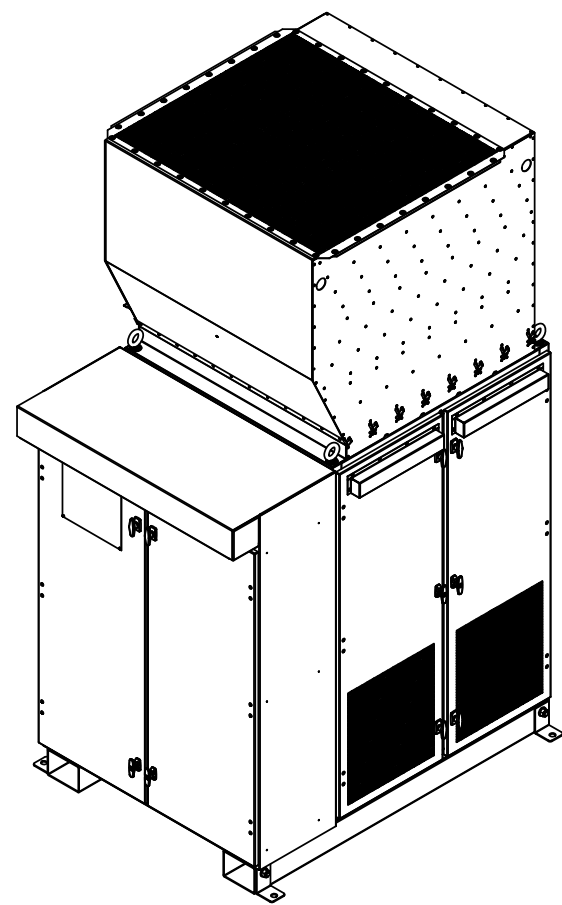
PART DESCRIPTION
Mars Cabinet Assembly

PART NUMBER
ASM-00016871

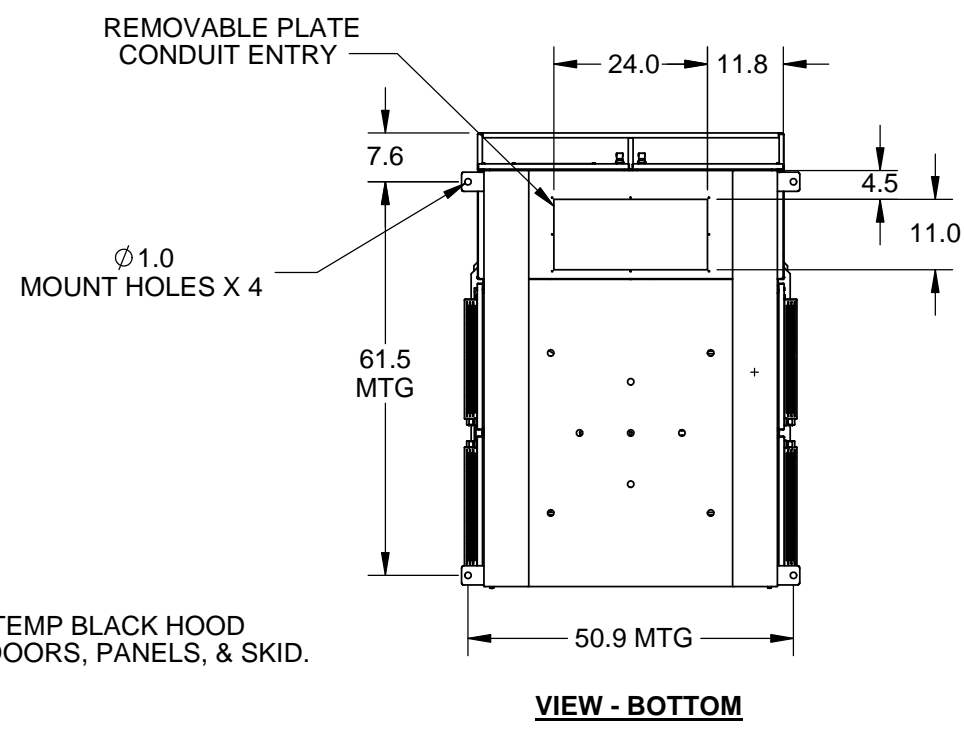
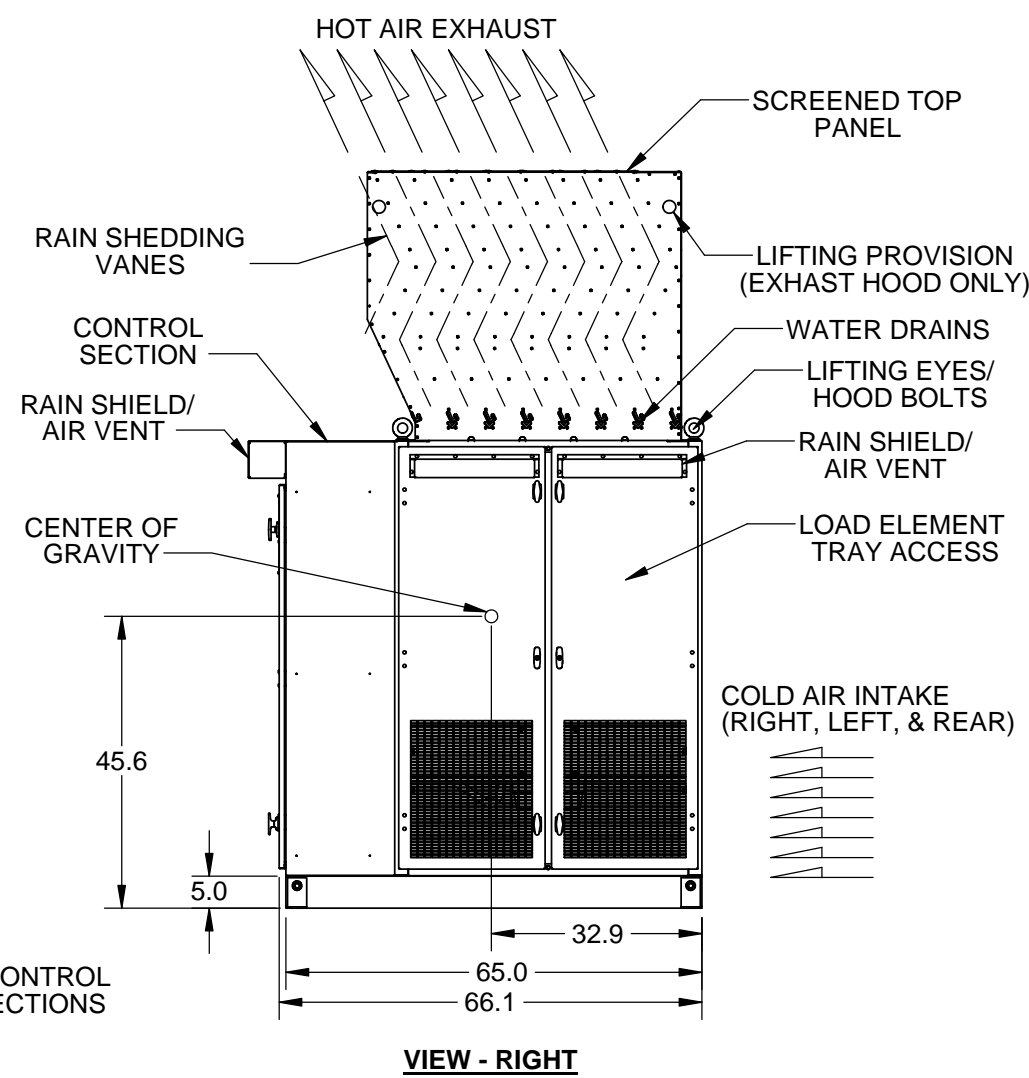
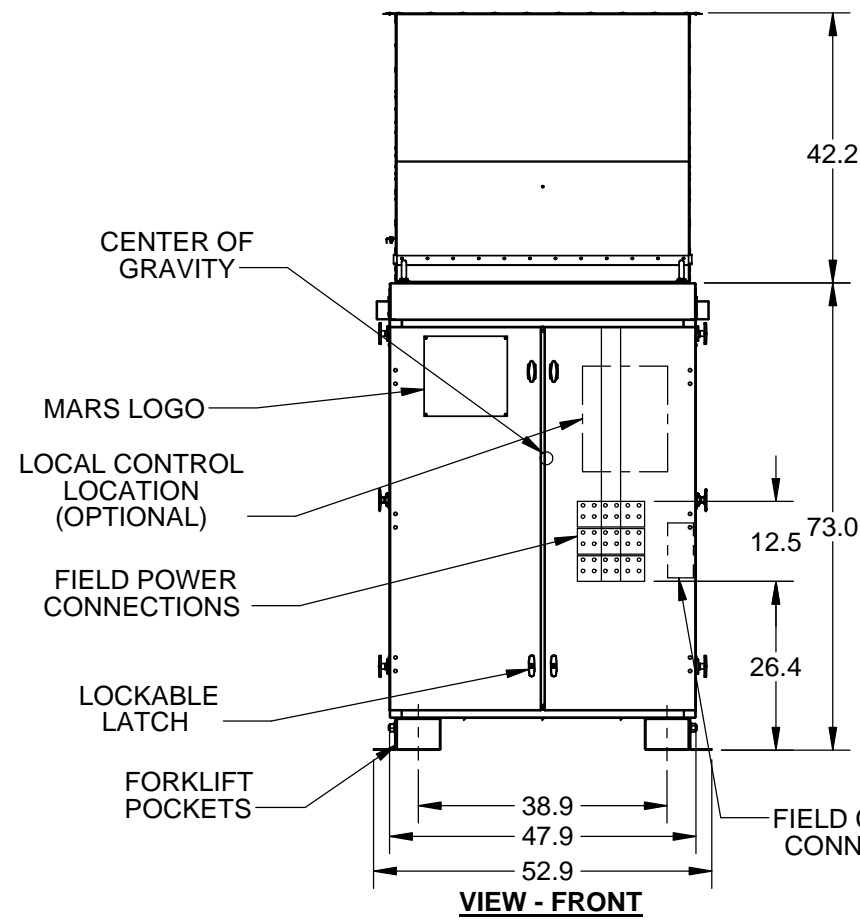
PART REVISION: C

DRAWING NUMBER
DWG-00008870

SHEET NUMBER	REVISION
1 / 2	A



VIEW - ISOMETRIC
(REFERENCE ONLY)



- NOTES:**
(UNLESS OTHERWISE SPECIFIED)
1. ENVIRONMENTAL TYPE - 3R UL APPROVED
 2. FINISH - UL POWDER COAT DARK GRAY CABINETS & HIGH-TEMP BLACK HOOD
 3. CONSTRUCTION: ALL WELDED, FORMED, STEEL FRAME, DOORS, PANELS, & SKID.
 4. AIR FLOW - 21600 CFM
 5. MAX INLET TEMP: 125°F
 6. MAX ΔT: 150°F
 7. MAX EXHAUST TEMP: 600°F
 8. APPROXIMATE WEIGHT - 2700 LBS, 2200 LBS CABINET & 500 LBS EXHAUST HOOD

4

3

2

1

